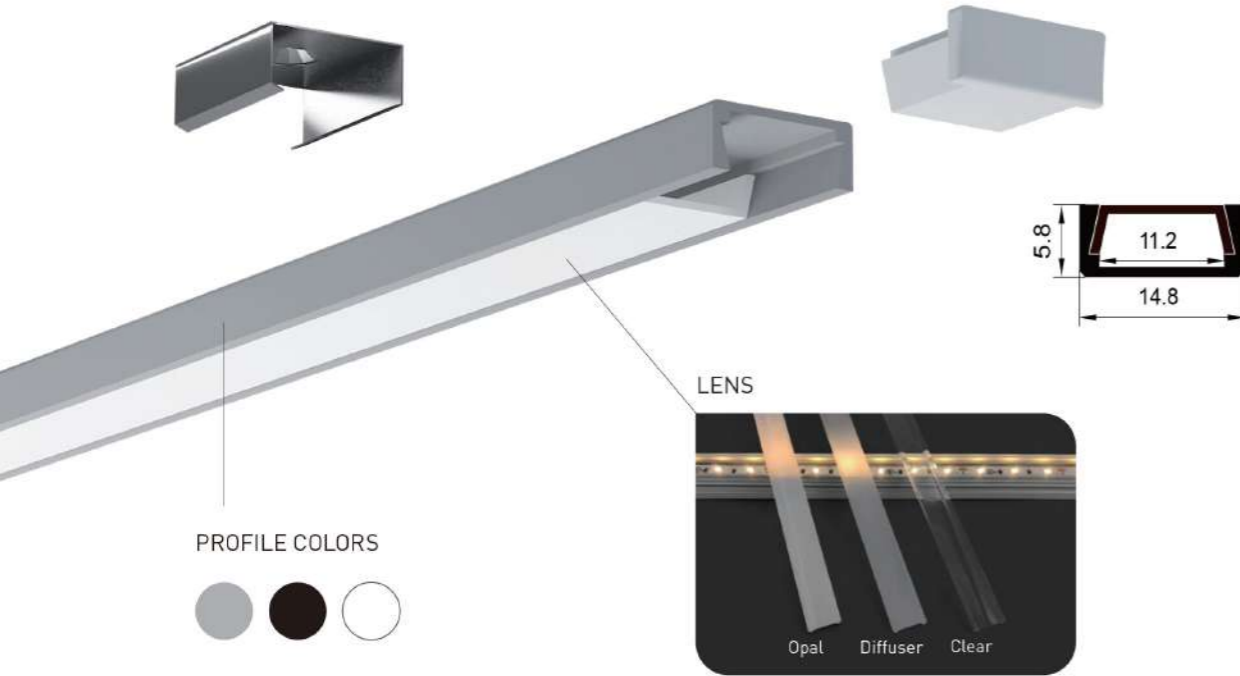
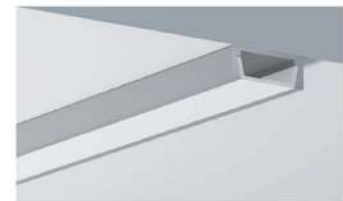


VERTICAL SURFACE MOUNTED SERIES

► SL150611



ACCESSORIES



Installation: Vertical Surface Mounted
 Length Available: 1-3m
 Profile Color: Silver, Black Anodized, White Powder Coating
 Lens: Opal, Diffuser, Clear
 Input Cable: Endcaps, Profile Bottom, Profile Sides
 Quick Female/Male Connectors Input cable & Junction Box available

VERTICAL SURFACE MOUNTED SERIES

► SL150611

ORDERING CODE

LUMINAIRE	FINISH	LENS	Vol.	Power	Ra	CRI	INSTALL ACCS.	IP GRADE	CONTROL OPTOINS
SL150611	W White B Black S Silver	D Diffuser O Opal C Clear	24 24VDC	16.42W±10%	90 90+	22-2200K , 24-2400K 25-2500K , 27-2700K 30-3000K , 35-3500K 40-4000K , 50-5000K 65-6500K	01 - Black&Red 22AWG 02 - Black&White 22AWG 03 - White PU protected 2 pin 04 - 3Pin cable for Tunable white	A - AMP male/female M - Molex male/female D - DC male/female	E - Through Endcaps B - Through profile end bottom S - Through profile side
					TW	Tunable White - check your executive sales			
					D2W	Dim To Warm - check your executive sales			

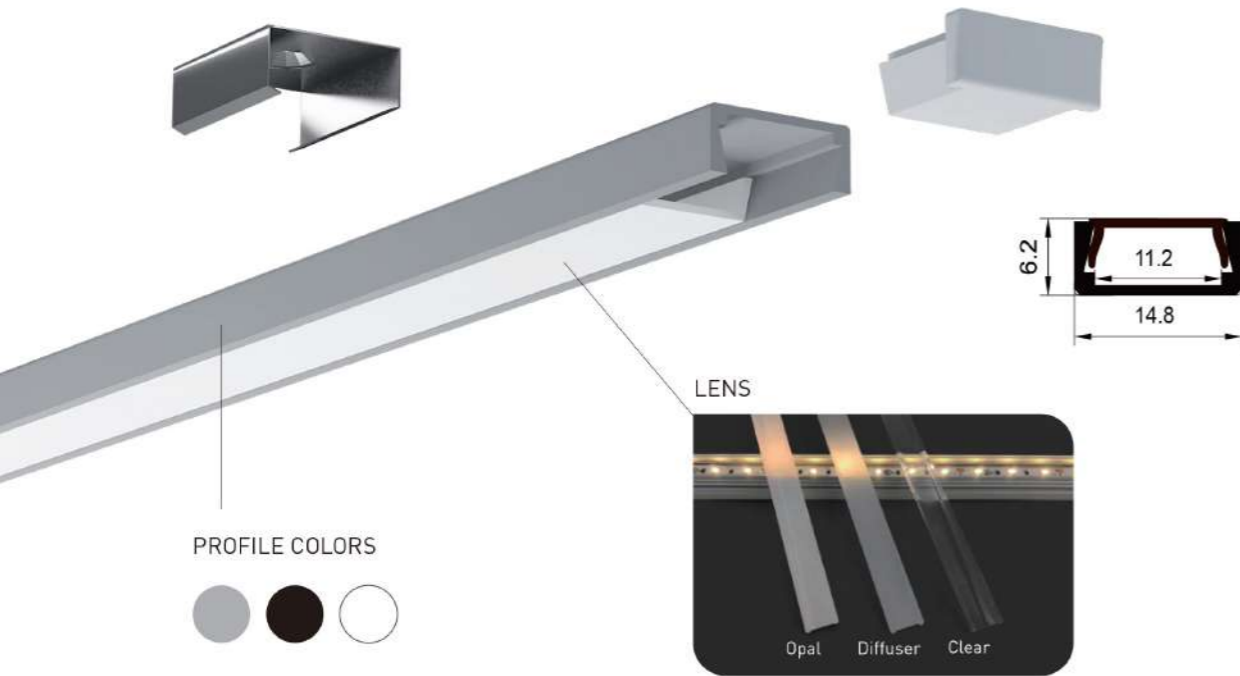
RECOMMEND LIGHT SOURCE

Performance	Part Code	LED QTY	Input Vol.	Power	CRI	Light Source Lumen	Diffuser Lens Lumen	Cutttable length	Max Run	PCB Width
General	FN-2016-266	266pcs/m	24VDC	16.42W ± 10%	90+	1700 lm/m	1326lm/m	26.3mm	3M	10mm



VERTICAL SURFACE MOUNTED SERIES

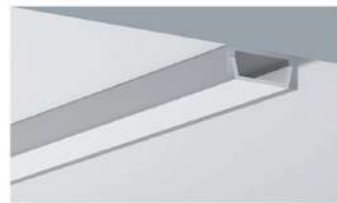
► SL1506B11



ACCESSORIES



Straight Connector Straight Connector L Shape connecto L Shape connecto



Installation: Vertical Surface Mounted
 Length Available: 1-3m
 Profile Color: Silver, Black Anodized, White Powder Coating
 Lens: Opal, Diffuser, Clear
 Input Cable: Endcaps, Profile Bottom, Profile Sides
 Quick Female/Male Connectors Input cable & Junction Box available

VERTICAL SURFACE MOUNTED SERIES

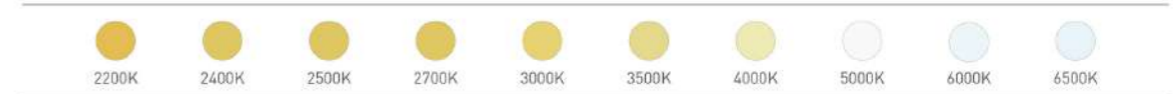
► SL1506B11

ORDERING CODE

LUMINAIRE	FINISH	LENS	Vol.	Power	Ra	CRI	INSTALL ACCS.	IP GRADE	CONTROL OPTOINS
SL1506B11	W White B Black S Silver	D Diffuser O Opal C Clear	24 24VDC	16.42W±10%	90 90+	22-2200K , 24-2400K 25-2500K , 27-2700K 30-3000K , 35-3500K 40-4000K , 50-5000K 65-6500K	01 - Black&Red 22AWG 02 - Black&White 22AWG 03 - White PU protected 2 pin 04 - 3Pin cable for Tunable white	A - AMP male/female M - Molex male/female D - DC male/female	E - Through Endcaps B - Through profile end bottom S - Through profile side
					TW	Tunable White - check your executive sales			
					D2W	Dim To Warm - check your executive sales			

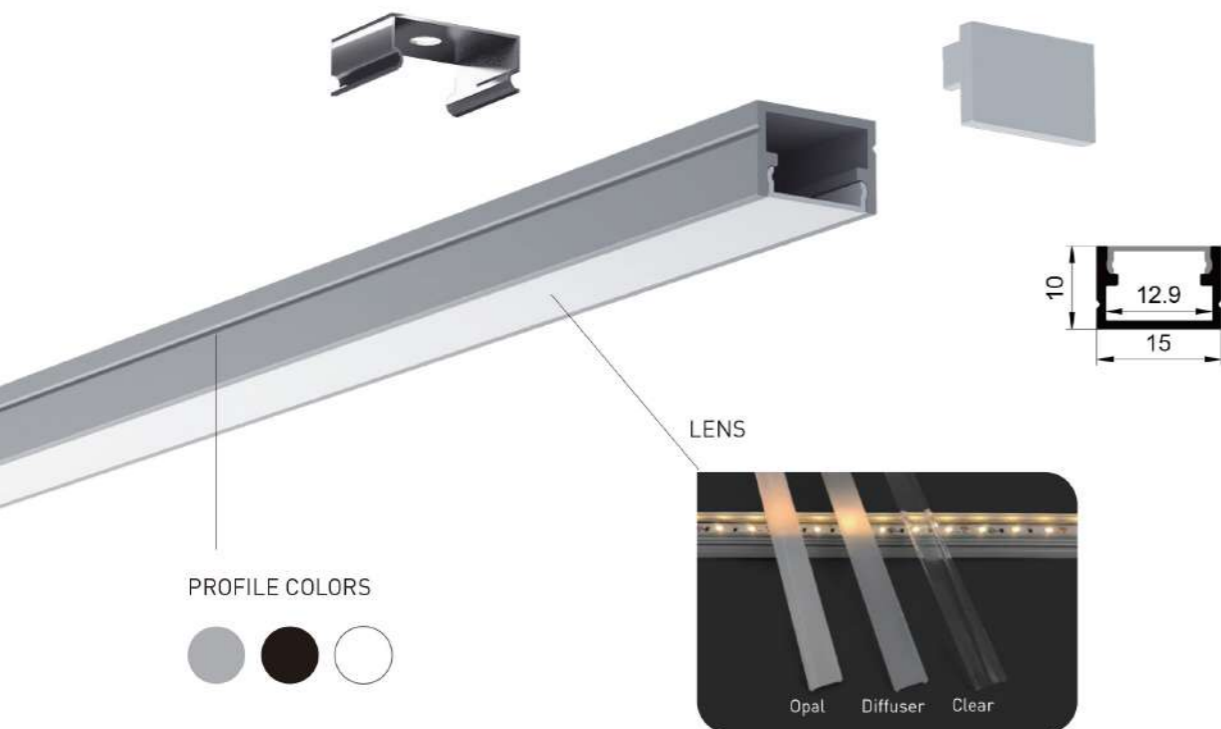
RECOMMEND LIGHT SOURCE

Performance	Part Code	LED QTY	Input Vol.	Power	CRI	Light Source Lumen	Diffuser Lens Lumen	Cutttable length	Max Run	PCB Width
General	FN-2016-266	266pcs/m	24VDC	16.42W ± 10%	90+	1700 lm/m	1326 lm/m	26.3mm	3M	10mm



VERTICAL SURFACE MOUNTED SERIES

► SL151012



Installation: Vertical Surface Mounted
 Length Available: 1-3m
 Profile Color: Silver, Black Anodized, White Powder Coating
 Lens: Opal, Diffuser, Clear
 Input Cable: Endcaps, Profile Bottom, Profile Sides
 Quick Female/Male Connectors Input cable & Junction Box available

VERTICAL SURFACE MOUNTED SERIES

► SL151012

ORDERING CODE

LUMINAIRE	FINISH	LENS	Vol.	Power	Ra	CRI	INSTALL ACCS.	IP GRADE	CONTROL OPTOINS
SL151012	W White	D Diffuser	24 24VDC	12.96W ± 10% 17.28W ± 10%	90 90+	22-2200K , 24-2400K 25-2500K , 27-2700K 30-3000K , 35-3500K 40-4000K , 50-5000K 65-6500K	01 - Black&Red 22AWG 02 - Black&White 22AWG 03 - White PU protected 2 pin 04 - 3Pin cable for Tunable white	A - AMP male/female M - Molex male/female D - DC male/female	E - Through Endcaps B - Through profile end bottom S - Through profile side
	B Black	O Opal				TW Tunable White - check your executive sales			
	S Silver	C Clear				D2W Dim To Warm - check your executive sales			

RECOMMEND LIGHT SOURCE

Part Code	LED QTY	Input Vol.	Power	CRI	Light Source Lumen	Diffuser Lens Lumen	Cutttable length	Max Run	PCB Width
FN-2016-180	180pcs/m	24VDC	12.96W ± 10%	90+	1000 lm/m	780 lm/m	33mm	3M	10mm
FN-2016-240	240pcs/m		17.28W ± 10%	90+	1300 lm/m	1014 lm/m	25mm		



VERTICAL SURFACE MOUNTED SERIES

► SL152012



Installation: Vertical Surface Mounted
 Length Available: 1-3m
 Profile Color: Silver, Black Anodized, White Powder Coating
 Lens: Opal, Diffuser, Clear
 Input Cable: Endcaps, Profile Bottom, Profile Sides
 Quick Female/Male Connectors Input cable & Junction Box available

VERTICAL SURFACE MOUNTED SERIES

► SL152012

ORDERING CODE

LUMINAIRE	FINISH	LENS	Vol.	Power	Ra	CRI	INSTALL ACCS.	IP GRADE	CONTROL OPTOINS
SL152012	W White	D Diffuser	12 12VDC	14.40W/m	90	22-2200K, 24-2400K, 25-2500K 27-2700K, 30-3000K, 35-3500K 40-4000K, 50-5000K, 65-6500K	01 - Black&Red 22AWG 02 - Black&White 22AWG 03 - White PU protected 2 pin 04 - 3Pin cable for Tunable white	A - AMP male/female M - Molex male/female D - DC male/female	E - Through Endcaps B - Through profile end bottom S - Through profile side
	B Black	O Opal	24 24VDC	11.52W/m	95				
	S Silver	C Clear	36 36VDC	24.00W/m	95+	TW Tunable White - check your executive sales D2W Dim To Warm - check your executive sales			
			48 48VDC	28.80W/m					
			5.18W/m						
			6.00W/m						
			21.60W/m						

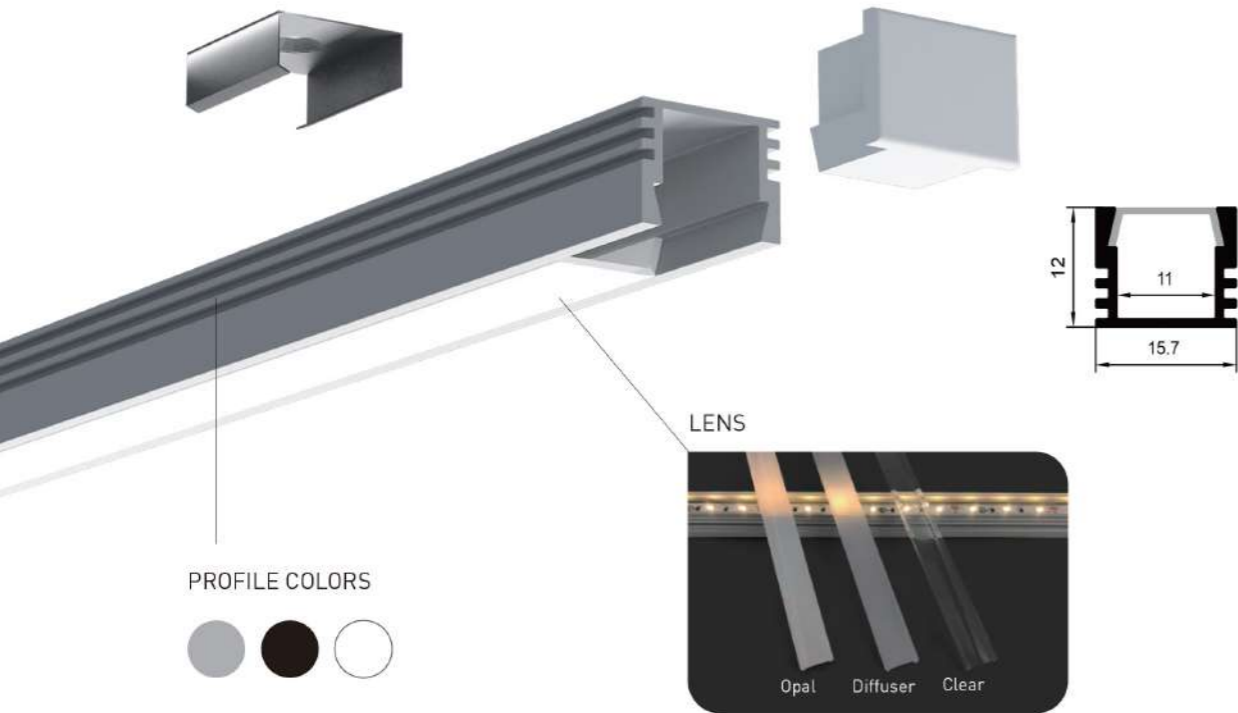
RECOMMEND LIGHT SOURCE

Performance	Part Code	LED QTY	Input Vol.	Power	CRI	Light Source Lumen	Diffuser Lens Lumen	Cutttable length	Max Run	PCB Width
General	FN-H2835T-120	120pcs/m	12/24VDC	14.40 W/m	90+	1512 lm/m	680lm/m	12V=50mm 24V=50mm	12V=5m 24V=9m	10 mm
					95+	1282 lm/m	577lm/m			
High Efficiency	FN-H2835T-128	128pcs/m	12/24VDC	11.52 W/m	90+	1613 lm/m	726lm/m	12V=31.2mm 24V=62.5mm	12V=3m 24V=6m	10 mm
					95+	1475 lm/m	664lm/m			
	FN-H28350-160	160pcs/m	24VDC	24 W/m	90+	3480 lm/m	1739lm/m	50mm	3m	10 mm
					95+	1987 lm/m	894lm/m	12V=25mm 24V=50mm	12V=3mm 24V=5mm	
Long Run	FN-H2835T-160	160pcs/m	12/24VDC	14.40 W/m	90+	1843 lm/m	829lm/m			10 mm
					95+	1843 lm/m	829lm/m			
	FN-H28350-192	192pcs/m	24VDC	28.8 W/m	90+	4176 lm/m	2086lm/m	41.7mm	2.5m	10 mm
					95+	482 lm/m	217lm/m	100mm	50mm	
	LN-H2835T-80	80pcs/m	36VDC	5.18W/m	90+	580 lm/m	261lm/m			10 mm
					95+	482 lm/m	217lm/m			
LN-H2835T-112	112pcs/m	48VDC	11.52 W/m	90+	1336 lm/m	601lm/m	125mm	25mm	10 mm	
				95+	1106 lm/m	498lm/m				
LN-H2835T-120	120pcs/m	24VDC	6.00 W/m	90+	588 lm/m	265lm/m	50mm	21mm	10 mm	
				95+	486 lm/m	219lm/m				
Short Cut	FN-F2835A-120	120pcs/m	24VDC	21.60 W/m	90+	1922 lm/m	865lm/m	16.7mm	3.5mm	10 mm
					95+	1595 lm/m	718lm/m			



VERTICAL SURFACE MOUNTED SERIES

► SL161210



PROFILE COLORS



Installation: Vertical Surface Mounted
 Length Available: 1-3m
 Profile Color: Silver, Black Anodized, White Powder Coating
 Lens: Opal, Diffuser, Clear
 Input Cable: Endcaps, Profile Bottom, Profile Sides
 Quick Female/Male Connectors Input cable & Junction Box available

VERTICAL SURFACE MOUNTED SERIES

► SL161210

ORDERING CODE

LUMINAIRE	FINISH	LENS	Vol.	Power	Ra	CRI	INSTALL ACCS.	IP GRADE	CONTROL OPTAINS
SL161210	W White	D Diffuser	12 12VDC	14.40W/m	90 90+	22-2200K , 24-2400K , 25-2500K 27-2700K , 30-3000K , 35-3500K 40-4000K , 50-5000K , 65-6500K	01 - Black&Red 22AWG	A - AMP male/female M - Molex male/female D - DC male/female	E - Through Endcaps B - Through profile end bottom S - Through profile side
	B Black	O Opal	24 24VDC	11.52W/m	95 95+	22-2200K , 25-2500K , 27-2700K 30-3000K , 35-3500K , 40-4000K 50-5000K , 65-6500K	02 - Black&White 22AWG		
	S Silver	C Clear	36 36VDC	24.00W/m	TW	Tunable White - check your executive sales	03 - White PU protected 2 pin		
			48 48VDC	5.18W/m 6.00W/m 21.60W/m	D2W	Dim To Warm - check your executive sales	04 - 3Pin cable for Tunable white		

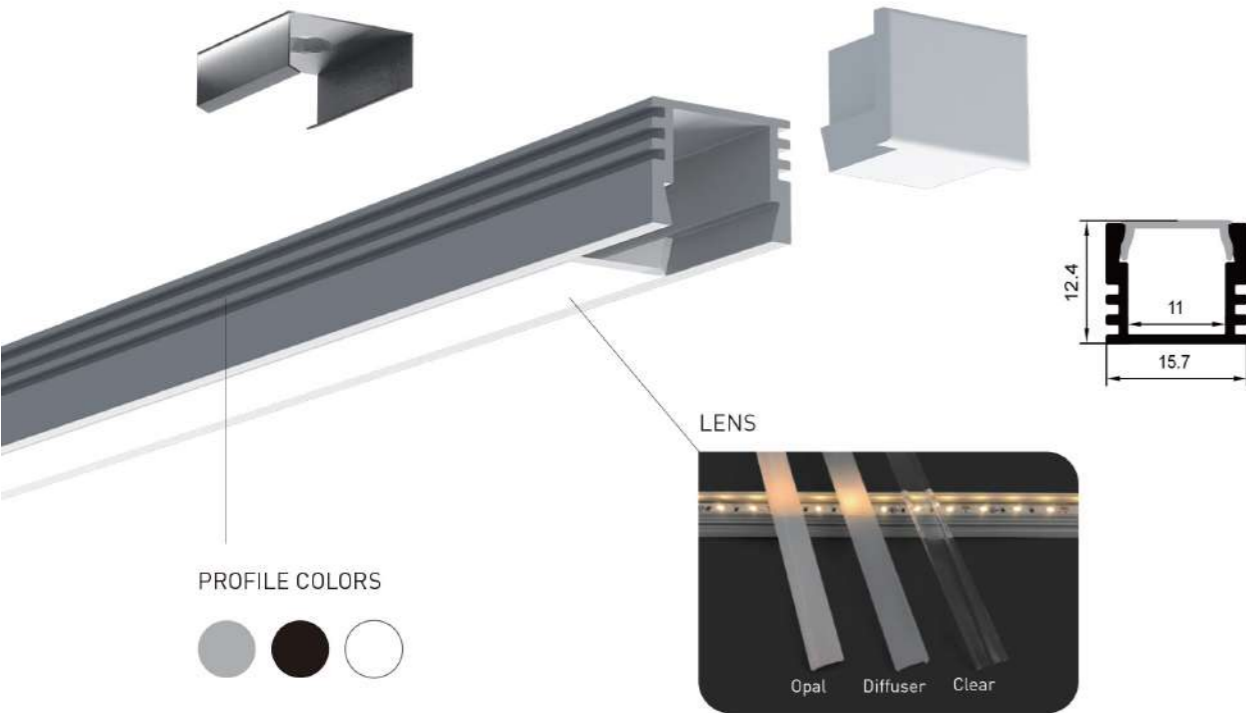
RECOMMEND LIGHT SOURCE

Performance	Part Code	LED QTY	Input Vol.	Power	CRI	Light Source Lumen	Diffuser Lens Lumen	Cutttable length	Max Run	PCB Width
General	FN-H2835T-120	120pcs/m	12/24VDC	14.40 W/m	90+	1512 lm/m	756 lm/m	12V=50mm 24V=50mm	12V=5m 24V=9m	10 mm
					95+	1282 lm/m	641 lm/m			
High Efficiency	FN-H2835T-128	128pcs/m	12/24VDC	11.52 W/m	90+	1613 lm/m	807 lm/m	12V=31.2mm 24V=62.5mm	12V=3m 24V=6m	10 mm
					95+	1475 lm/m	738 lm/m			
	FN-H28350-160	160pcs/m	24VDC	24 W/m	90+	3480 lm/m	1932 lm/m	50mm	3m	10 mm
					95+	1843 lm/m	922 lm/m			
Long Run	LN-H2835T-80	80pcs/m	36VDC	5.18W/m	90+	580 lm/m	290 lm/m	100mm	50mm	10 mm
					95+	482 lm/m	241 lm/m			
Long Run	LN-H2835T-112	112pcs/m	48VDC	11.52 W/m	90+	1336 lm/m	668 lm/m	125mm	25mm	10 mm
					95+	1106 lm/m	553 lm/m			
	LN-H2835T-120	120pcs/m	24VDC	6.00 W/m	90+	588 lm/m	294 lm/m	50mm	21mm	10 mm
95+					486 lm/m	243 lm/m				
Short Cut	FN-F2835A-120	120pcs/m	24VDC	21.60 W/m	90+	1922 lm/m	961 lm/m	16.7mm	3.5mm	10 mm
					95+	1595 lm/m	798 lm/m			



VERTICAL SURFACE MOUNTED SERIES

► SL1612B10



Installation: Vertical Surface Mounted
 Length Available: 1-3m
 Profile Color: Silver, Black Anodized, White Powder Coating
 Lens: Opal, Diffuser, Clear
 Input Cable: Endcaps, Profile Bottom, Profile Sides
 Quick Female/Male Connectors Input cable & Junction Box available

VERTICAL SURFACE MOUNTED SERIES

► SL1612B10

ORDERING CODE

LUMINAIRE	FINISH	LENS	Vol.	Power	Ra	CRI	INSTALL ACCS.	IP GRADE	CONTROL OPTOINS
SL1612B10	W White	D Diffuser	12 12VDC	14.40W/m	90	22-2200K, 24-2400K, 25-2500K 27-2700K, 30-3000K, 35-3500K 40-4000K, 50-5000K, 65-6500K	01 - Black&Red 22AWG 02 - Black&White 22AWG 03 - White PU protected 2 pin 04 - 3Pin cable for Tunable white	A - AMP male/female M - Molex male/female D - DC male/female	E - Through Endcaps B - Through profile end bottom S - Through profile side
	B Black	O Opal	24 24VDC	11.52W/m	95				
	S Silver	C Clear	36 36VDC	24.00W/m	95+	TW Tunable White - check your executive sales			
			48 48VDC	28.80W/m					
				5.18W/m					
				6.00W/m					
				21.60W/m					

RECOMMEND LIGHT SOURCE

Performance	Part Code	LED QTY	Input Vol.	Power	CRI	Light Source Lumen	Diffuser Lens Lumen	Cuttable length	Max Run	PCB Width
General	FN-H2835T-120	120pcs/m	12/24VDC	14.40 W/m	90+	1512 lm/m	756 lm/m	12V=50mm	12V=5m	10 mm
					95+	1282 lm/m	641 lm/m	24V=50mm	24V=9m	
High Efficiency	FN-H2835T-128	128pcs/m	12/24VDC	11.52 W/m	90+	1613 lm/m	807 lm/m	12V=31.2mm	12V=3m	10 mm
					95+	1475 lm/m	738 lm/m	24V=62.5mm	24V=6m	
	FN-H2835O-160	160pcs/m	24VDC	24 W/m	90+	3480 lm/m	1932 lm/m	50mm	3m	10 mm
					95+	1843 lm/m	922 lm/m	12V=25mm	12V=3mm	
Long Run	FN-H2835T-160	160pcs/m	12/24VDC	14.40 W/m	90+	1987 lm/m	994 lm/m	24V=50mm	24V=5mm	10 mm
					95+	1843 lm/m	922 lm/m	12V=25mm	12V=3mm	
	FN-H2835O-192	192pcs/m	24VDC	28.8 W/m	90+	4176 lm/m	2318 lm/m	41.7mm	2.5m	10 mm
					95+	482 lm/m	241 lm/m	100mm	50mm	
	LN-H2835T-80	80pcs/m	36VDC	5.18W/m	90+	580 lm/m	290 lm/m	100mm	50mm	10 mm
					95+	482 lm/m	241 lm/m	100mm	50mm	
LN-H2835T-112	112pcs/m	48VDC	11.52 W/m	90+	1336 lm/m	668 lm/m	125mm	25mm	10 mm	
				95+	1106 lm/m	553 lm/m	125mm	25mm		
LN-H2835T-120	120pcs/m	24VDC	6.00 W/m	90+	588 lm/m	294 lm/m	50mm	21mm	10 mm	
				95+	486 lm/m	243 lm/m	50mm	21mm		
Short Cut	FN-F2835A-120	120pcs/m	24VDC	21.60 W/m	90+	1922 lm/m	961 lm/m	16.7mm	3.5mm	10 mm
					95+	1595 lm/m	798 lm/m	16.7mm	3.5mm	



VERTICAL SURFACE MOUNTED SERIES

► SL1612C11



PROFILE COLORS



Installation: Vertical Surface Mounted
 Length Available: 1-3m
 Profile Color: Silver, Black Anodized, White Powder Coating
 Lens: Opal, Diffuser, Clear
 Input Cable: Endcaps, Profile Bottom, Profile Sides
 Quick Female/Male Connectors Input cable & Junction Box available

VERTICAL SURFACE MOUNTED SERIES

► SL1612C11

ORDERING CODE

LUMINAIRE	FINISH	LENS	Vol.	Power	Ra	CRI	INSTALL ACCS.	IP GRADE	CONTROL OPTOINS
SL1612C11	W White	D Diffuser	12 12VDC	14.40W/m	90	22-2200K, 24-2400K, 25-2500K 27-2700K, 30-3000K, 35-3500K 40-4000K, 50-5000K, 65-6500K	01 - Black&Red 22AWG 02 - Black&White 22AWG 03 - White PU protected 2 pin 04 - 3Pin cable for Tunable white	A - AMP male/female M - Molex male/female D - DC male/female	E - Through Endcaps B - Through profile end bottom S - Through profile side
	B Black	O Opal	24 24VDC	11.52W/m	95				
	S Silver	C Clear	36 36VDC	24.00W/m	95+	TW Tunable White - check your executive sales			
			48 48VDC	28.80W/m					
			5.18W/m	6.00W/m					
			21.60W/m						

RECOMMEND LIGHT SOURCE

Performance	Part Code	LED QTY	Input Vol.	Power	CRI	Light Source Lumen	Diffuser Lens Lumen	Cuttible length	Max Run	PCB Width
General	FN-H2835T-120	120pcs/m	12/24VDC	14.40 W/m	90+	1512 lm/m	756 lm/m	12V=50mm 24V=50mm	12V=5m 24V=9m	10 mm
					95+	1282 lm/m	641 lm/m			
High Efficiency	FN-H2835T-128	128pcs/m	12/24VDC	11.52 W/m	90+	1613 lm/m	807 lm/m	12V=31.2mm 24V=62.5mm	12V=3m 24V=6m	10 mm
					95+	1475 lm/m	738 lm/m			
	FN-H2835O-160	160pcs/m	24VDC	24 W/m	90+	3480 lm/m	1932 lm/m	50mm	3m	10 mm
					95+	1843 lm/m	922 lm/m	12V=25mm 24V=50mm	12V=3mm 24V=5mm	
Long Run	LN-H2835T-80	80pcs/m	36VDC	5.18W/m	90+	580 lm/m	290 lm/m	100mm	50mm	10 mm
					95+	482 lm/m	241 lm/m			
	LN-H2835T-112	112pcs/m	48VDC	11.52 W/m	90+	1336 lm/m	668 lm/m	125mm	25mm	10 mm
					95+	1106 lm/m	553 lm/m			
	LN-H2835T-120	120pcs/m	24VDC	6.00 W/m	90+	588 lm/m	294 lm/m	50mm	21mm	10 mm
					95+	486 lm/m	243 lm/m			
Short Cut		120pcs/m	24VDC	21.60 W/m	90+	1922 lm/m	961 lm/m	16.7mm	3.5mm	10 mm
					95+	1595 lm/m	798 lm/m			



VERTICAL SURFACE MOUNTED SERIES

► SL1612E11



PROFILE COLORS



Installation: Vertical Surface Mounted
 Length Available: 1-3m
 Profile Color: Silver, Black Anodized, White Powder Coating
 Lens: Opal, Diffuser, Clear
 Input Cable: Endcaps, Profile Bottom, Profile Sides
 Quick Female/Male Connectors Input cable & Junction Box available

VERTICAL SURFACE MOUNTED SERIES

► SL1612E11

ORDERING CODE

LUMINAIRE	FINISH	LENS	Vol.	Power	Ra	CRI	INSTALL ACCS.	IP GRADE	CONTROL OPTOINS
SL1612E11	W White	D Diffuser	12 12VDC	14.40W/m	90 90+	22-2200K, 24-2400K, 25-2500K 27-2700K, 30-3000K, 35-3500K 40-4000K, 50-5000K, 65-6500K	01 - Black&Red 22AWG	A - AMP male/female	E - Through Endcaps
	B Black	O Opal	24 24VDC	11.52W/m	95 95+	22-2200K, 25-2500K, 27-2700K 30-3000K, 35-3500K, 40-4000K 50-5000K, 65-6500K	02 - Black&White 22AWG	M - Molex male/female	B - Through profile end bottom
	S Silver	C Clear	36 36VDC	28.80W/m			03 - White PU protected 2 pin	D - DC male/female	S - Through profile side
			48 48VDC	5.18W/m 6.00W/m 21.60W/m		TW Tunable White - check your executive sales	04 - 3Pin cable for Tunable white		
									D2W Dim To Warm - check your executive sales

RECOMMEND LIGHT SOURCE

Performance	Part Code	LED QTY	Input Vol.	Power	CRI	Light Source Lumen	Diffuser Lens Lumen	Cutttable length	Max Run	PCB Width
General	FN-H2835T-120	120pcs/m	12/24VDC	14.40 W/m	90+	1512 lm/m	756 lm/m	12V=50mm	12V=5m	10 mm
					95+	1282 lm/m	641 lm/m	24V=50mm	24V=9m	
High Efficiency	FN-H2835T-128	128pcs/m	12/24VDC	11.52 W/m	90+	1613 lm/m	807 lm/m	12V=31.2mm	12V=3m	10 mm
					95+	1475 lm/m	738 lm/m	24V=62.5mm	24V=6m	
	FN-H28350-160	160pcs/m	24VDC	24 W/m	90+	3480 lm/m	1932 lm/m	50mm	3m	10 mm
					95+	1843 lm/m	922 lm/m	12V=25mm	12V=3mm	
Long Run	LN-H2835T-80	80pcs/m	36VDC	5.18W/m	90+	580 lm/m	290 lm/m	100mm	50mm	10 mm
					95+	482 lm/m	241 lm/m			
	LN-H2835T-112	112pcs/m	48VDC	11.52 W/m	90+	1336 lm/m	668 lm/m	125mm	25mm	10 mm
					95+	1106 lm/m	553 lm/m			
	LN-H2835T-120	120pcs/m	24VDC	6.00 W/m	90+	588 lm/m	294 lm/m	50mm	21mm	10 mm
					95+	486 lm/m	243 lm/m			
Short Cut		120pcs/m	24VDC	21.60 W/m	90+	1922 lm/m	961 lm/m	16.7mm	3.5mm	10 mm
					95+	1595 lm/m	798 lm/m			



VERTICAL SURFACE MOUNTED SERIES

► SL1815B12



VERTICAL SURFACE MOUNTED SERIES

► SL1815B12

ORDERING CODE

LUMINAIRE	FINISH	LENS	Vol.	Power	Ra	CRI	INSTALL ACCS.	IP GRADE	CONTROL OPTAINS
SL1815B12	W White B Black S Silver	D Diffuser O Opal C Clear	24 24VDC	16.42W±10%	90 90+	22-2200K , 24-2400K 25-2500K , 27-2700K 30-3000K , 35-3500K 40-4000K , 50-5000K 65-6500K	D1 - Black&Red 22AWG D2 - Black&White 22AWG D3 - White PU protected 2 pin D4 - 3Pin cable for Tunable white	A - AMP male/female M - Molex male/female D - DC male/female	E - Through Endcaps B - Through profile end bottom S - Through profile side
						TW	Tunable White - check your executive sales		
						D2W	Dim To Warm - check your executive sales		

RECOMMEND LIGHT SOURCE

Performance	Part Code	LED QTY	Input Vol.	Power	CRI	Light Source Lumen	Diffuser Lens Lumen	Cutttable length	Max Run	PCB Width
General	FN-2016-266	266pcs/m	24VDC	16.42W ± 10%	90+	1700 lm/m	1326 lm/m	26.3mm	3M	10mm



Installation: Vertical Surface Mounted
 Length Available: 1-3m
 Profile Color: Silver, Black Anodized, White Powder Coating
 Lens: Opal, Diffuser, Clear
 Input Cable: Endcaps, Profile Bottom, Profile Sides
 Quick Female/Male Connectors Input cable & Junction Box available

VERTICAL SURFACE MOUNTED SERIES

► SL1616R14



Installation: Vertical Surface Mounted
 Length Available: 1-3m
 Profile Color: Silver, Black Anodized, White Powder Coating
 Lens: Opal, Diffuser, Clear
 Input Cable: Endcaps, Profile Bottom, Profile Sides
 Quick Female/Male Connectors Input cable & Junction Box available

VERTICAL SURFACE MOUNTED SERIES

► SL1616R14

ORDERING CODE

LUMINAIRE	FINISH	LENS	Vol.	Power	Ra	CRI	INSTALL ACCS.	IP GRADE	CONTROL OPTOINS
SL1616R14	W White	D Diffuser	12 12VDC	14.40W/m	90	22-2200K, 24-2400K, 25-2500K 27-2700K, 30-3000K, 35-3500K 40-4000K, 50-5000K, 65-6500K	01 - Black&Red 22AWG 02 - Black&White 22AWG 03 - White PU protected 2 pin 04 - 3Pin cable for Tunable white	A - AMP male/female M - Molex male/female D - DC male/female	E - Through Endcaps B - Through profile end bottom S - Through profile side
	B Black	O Opal	24 24VDC	11.52W/m	95				
	S Silver	C Clear	36 36VDC	28.80W/m	95+	TW Tunable White - check your executive sales D2W Dim To Warm - check your executive sales			
			48 48VDC	5.18W/m 6.00W/m 21.60W/m					

RECOMMEND LIGHT SOURCE

Performance	Part Code	LED QTY	Input Vol.	Power	CRI	Light Source Lumen	Diffuser Lens Lumen	Cuttible length	Max Run	PCB Width
General	FN-H2835T-120	120pcs/m	12/24VDC	14.40 W/m	90+	1512 lm/m	680lm/m	12V=50mm 24V=50mm	12V=5m 24V=9m	10 mm
					95+	1282 lm/m	577lm/m			
High Efficiency	FN-H2835T-128	128pcs/m	12/24VDC	11.52 W/m	90+	1613 lm/m	726lm/m	12V=31.2mm 24V=62.5mm	12V=3m 24V=6m	10 mm
					95+	1475 lm/m	664lm/m			
	FN-H2835O-160	160pcs/m	24VDC	24 W/m	90+	3480 lm/m	1739lm/m	50mm	3m	10 mm
					95+	1843 lm/m	829lm/m			
Long Run	LN-H2835T-80	80pcs/m	36VDC	5.18W/m	90+	580 lm/m	261lm/m	100mm	50mm	10 mm
					95+	482 lm/m	217lm/m			
	LN-H2835T-112	112pcs/m	48VDC	11.52 W/m	90+	1336 lm/m	601lm/m	125mm	25mm	10 mm
					95+	1106 lm/m	498lm/m			
	LN-H2835T-120	120pcs/m	24VDC	6.00 W/m	90+	588 lm/m	265lm/m	50mm	21mm	10 mm
					95+	486 lm/m	219lm/m			
Short Cut	FN-F2835A-120	120pcs/m	24VDC	21.60 W/m	90+	1922 lm/m	865lm/m	16.7mm	3.5mm	10 mm
					95+	1595 lm/m	718lm/m			



VERTICAL SURFACE MOUNTED SERIES

► SL160813



VERTICAL SURFACE MOUNTED SERIES

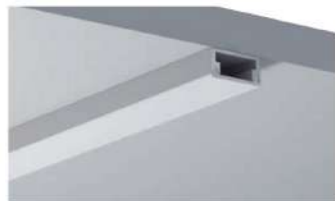
► SL160813

ORDERING CODE

LUMINAIRE	FINISH	LENS	Vol.	Power	Ra	CRI	INSTALL ACCS.	IP GRADE	CONTROL OPTOINS					
SL160813	W White	D Diffuser	24 24VDC	12.96W ± 10%	90 90+	22-2200K , 24-2400K 25-2500K , 27-2700K 30-3000K , 35-3500K 40-4000K , 50-5000K 65-6500K	01 - Black&Red 22AWG	A - AMP male/female	E - Through Endcaps					
	B Black	O Opal		17.28W ± 10%						TW	Tunable White - check your executive sales	02 - Black&White 22AWG	M - Molex male/female	B - Through profile end bottom
	S Silver	C Clear												
						04 - 3Pin cable for Tunable white								

RECOMMEND LIGHT SOURCE

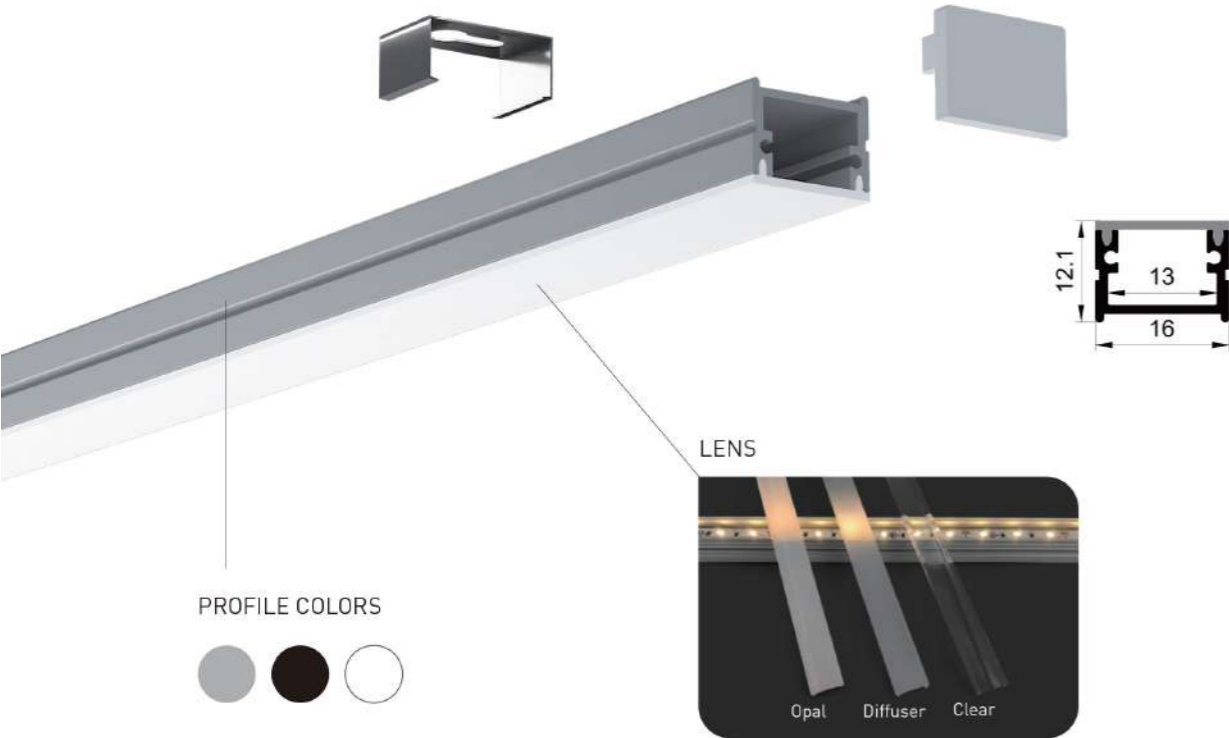
Part Code	LED QTY	Input Vol.	Power	CRI	Light Source Lumen	Diffuser Lens Lumen	Cutttable length	Max Run	PCB Width
FN-2016-180	180pcs/m	24VDC	12.96W ± 10%	90+	1000 lm/m	780 lm/m	33mm	3M	10mm
FN-2016-240	240pcs/m		17.28W ± 10%	90+	1300 lm/m	1014 lm/m	25mm		



Installation: Vertical Surface Mounted
 Length Available: 1-3m
 Profile Color: Silver, Black Anodized, White Powder Coating
 Lens: Opal, Diffuser, Clear
 Input Cable: Endcaps, Profile Bottom, Profile Sides
 Quick Female/Male Connectors Input cable & Junction Box available

VERTICAL SURFACE MOUNTED SERIES

► SL161313



Installation: Vertical Surface Mounted
 Length Available: 1-3m
 Profile Color: Silver, Black Anodized, White Powder Coating
 Lens: Opal, Diffuser, Clear
 Input Cable: Endcaps, Profile Bottom, Profile Sides
 Quick Female/Male Connectors Input cable & Junction Box available

VERTICAL SURFACE MOUNTED SERIES

► SL161313

ORDERING CODE

LUMINAIRE	FINISH	LENS	Vol.	Power	Ra	CRI	INSTALL ACCS.	IP GRADE	CONTROL OPTOINS
SL161313	W White	D Diffuser	12 12VDC	14.40W/m	90	22-2200K, 24-2400K, 25-2500K	01 - Black&Red 22AWG 02 - Black&White 22AWG 03 - White PU protected 2 pin 04 - 3Pin cable for Tunable white	A - AMP male/female M - Molex male/female D - DC male/female	E - Through Endcaps B - Through profile end bottom S - Through profile side
	B Black	O Opal	24 24VDC	11.52W/m	90+	27-2700K, 30-3000K, 35-3500K 40-4000K, 50-5000K, 65-6500K			
	S Silver	C Clear	36 36VDC	24.00W/m	95	22-2200K, 25-2500K, 27-2700K 30-3000K, 35-3500K, 40-4000K 50-5000K, 65-6500K			
			48 48VDC	28.80W/m	95+				
				5.18W/m	TW	Tunable White - check your executive sales			
				6.00W/m					
				21.60W/m	D2W	Dim To Warm - check your executive sales			

RECOMMEND LIGHT SOURCE

Performance	Part Code	LED QTY	Input Vol.	Power	CRI	Light Source Lumen	Diffuser Lens Lumen	Cuttible length	Max Run	PCB Width
General	FN-H2835T-120	120pcs/m	12/24VDC	14.40 W/m	90+	1512 lm/m	680lm/m	12V=50mm	12V=5m	10 mm
					95+	1282 lm/m	577lm/m	24V=50mm	24V=9m	
High Efficiency	FN-H2835T-128	128pcs/m	12/24VDC	11.52 W/m	90+	1613 lm/m	726lm/m	12V=31.2mm	12V=3m	10 mm
					95+	1475 lm/m	664lm/m	24V=62.5mm	24V=6m	
	FN-H2835O-160	160pcs/m	24VDC	24 W/m	90+	3480 lm/m	1739lm/m	50mm	3m	10 mm
					95+	1843 lm/m	829lm/m	12V=25mm	12V=3mm	
Long Run	FN-H2835T-160	160pcs/m	12/24VDC	14.40 W/m	90+	1987 lm/m	894lm/m	24V=50mm	24V=5mm	10 mm
					95+	1843 lm/m	829lm/m			
	FN-H2835O-192	192pcs/m	24VDC	28.8 W/m	90+	4176 lm/m	2086lm/m	41.7mm	2.5m	10 mm
					95+	482 lm/m	217lm/m	100mm	50mm	
	LN-H2835T-80	80pcs/m	36VDC	5.18W/m	90+	580 lm/m	261lm/m			10 mm
					95+	482 lm/m	217lm/m			
LN-H2835T-112	112pcs/m	48VDC	11.52 W/m	90+	1336 lm/m	601lm/m	125mm	25mm	10 mm	
				95+	1106 lm/m	498lm/m				
LN-H2835T-120	120pcs/m	24VDC	6.00 W/m	90+	588 lm/m	265lm/m	50mm	21mm	10 mm	
				95+	486 lm/m	219lm/m				
Short Cut	FN-F2835A-120	120pcs/m	24VDC	21.60 W/m	90+	1922 lm/m	865lm/m	16.7mm	3.5mm	10 mm
					95+	1595 lm/m	718lm/m			



VERTICAL SURFACE MOUNTED SERIES

► SL171613



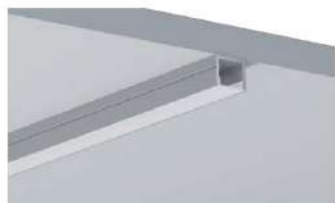
PROFILE COLORS



ACCESSORIES



Rotating Bracket



Installation: Vertical Surface Mounted
 Length Available: 1-3m
 Profile Color: Silver, Black Anodized, White Powder Coating
 Lens: Opal, Diffuser, Clear
 Input Cable: Endcaps, Profile Bottom, Profile Sides
 Quick Female/Male Connectors Input cable & Junction Box available

VERTICAL SURFACE MOUNTED SERIES

► SL171613

ORDERING CODE

LUMINAIRE	FINISH	LENS	Vol.	Power	Ra	CRI	INSTALL ACCS.	IP GRADE	CONTROL OPTOINS
SL171613	W White	D Diffuser	12 12VDC	14.40W/m	90	22-2200K, 24-2400K, 25-2500K 27-2700K, 30-3000K, 35-3500K 40-4000K, 50-5000K, 65-6500K	01 - Black&Red 22AWG 02 - Black&White 22AWG 03 - White PU protected 2 pin 04 - 3Pin cable for Tunable white	A - AMP male/female M - Molex male/female D - DC male/female	E - Through Endcaps B - Through profile end bottom S - Through profile side
	B Black	O Opal	24 24VDC	11.52W/m	95				
	S Silver	C Clear	36 36VDC	24.00W/m	95+				
			48 48VDC	28.80W/m	TW				
			5.18W/m	6.00W/m		Tunable White - check your executive sales			
			21.60W/m			Dim To Warm - check your executive sales			

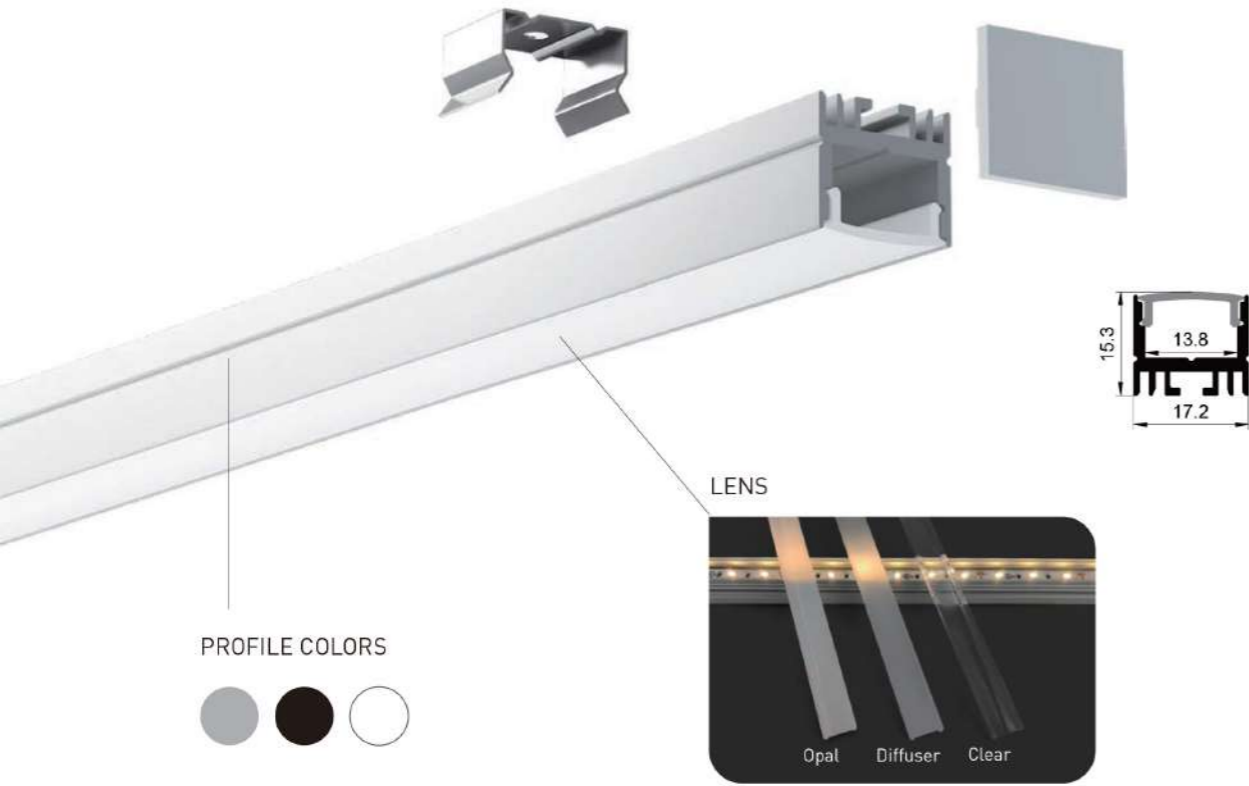
RECOMMEND LIGHT SOURCE

Performance	Part Code	LED QTY	Input Vol.	Power	CRI	Light Source Lumen	Diffuser Lens Lumen	Cuttible length	Max Run	PCB Width
General	FN-H2835T-120	120pcs/m	12/24VDC	14.40 W/m	90+	1512 lm/m	680lm/m	12V=50mm 24V=50mm	12V=5m 24V=9m	10 mm
					95+	1282 lm/m	577lm/m			
High Efficiency	FN-H2835T-128	128pcs/m	12/24VDC	11.52 W/m	90+	1613 lm/m	726lm/m	12V=31.2mm 24V=62.5mm	12V=3m 24V=6m	10 mm
					95+	1475 lm/m	664lm/m			
	FN-H2835O-160	160pcs/m	24VDC	24 W/m	90+	3480 lm/m	1739lm/m	50mm	3m	10 mm
					95+	1987 lm/m	894lm/m	12V=25mm 24V=50mm	12V=3mm 24V=5mm	10 mm
FN-H2835T-160	160pcs/m	12/24VDC	14.40 W/m	90+	1843 lm/m	829lm/m				10 mm
				95+	1843 lm/m	829lm/m				
FN-H2835O-192	192pcs/m	24VDC	28.8 W/m	90+	4176 lm/m	2086lm/m	41.7mm	2.5m	10 mm	
				95+	4176 lm/m	2086lm/m				
Long Run	LN-H2835T-80	80pcs/m	36VDC	5.18W/m	90+	580 lm/m	261lm/m	100mm	50mm	10 mm
					95+	482 lm/m	217lm/m			
	LN-H2835T-112	112pcs/m	48VDC	11.52 W/m	90+	1336 lm/m	601lm/m	125mm	25mm	10 mm
					95+	1106 lm/m	498lm/m			
LN-H2835T-120	120pcs/m	24VDC	6.00 W/m	90+	588 lm/m	265lm/m	50mm	21mm	10 mm	
				95+	486 lm/m	219lm/m				
Short Cut	FN-F2835A-120	120pcs/m	24VDC	21.60 W/m	90+	1922 lm/m	865lm/m	16.7mm	3.5mm	10 mm
					95+	1595 lm/m	718lm/m			



VERTICAL SURFACE MOUNTED SERIES

► SL1715D13



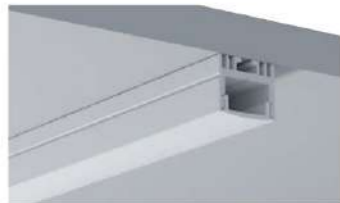
PROFILE COLORS



ACCESSORIES



Rotating Bracket



Installation: Vertical Surface Mounted
 Length Available: 1-3m
 Profile Color: Silver, Black Anodized, White Powder Coating
 Lens: Opal, Diffuser, Clear
 Input Cable: Endcaps, Profile Bottom, Profile Sides
 Quick Female/Male Connectors Input cable & Junction Box available

VERTICAL SURFACE MOUNTED SERIES

► SL1715D13

ORDERING CODE

LUMINAIRE	FINISH	LENS	Vol.	Power	Ra	CRI	INSTALL ACCS.	IP GRADE	CONTROL OPTOINS
SL1715D13	W White	D Diffuser	12 12VDC	14.40W/m	90	22-2200K, 24-2400K, 25-2500K 27-2700K, 30-3000K, 35-3500K 40-4000K, 50-5000K, 65-6500K	01 - Black&Red 22AWG	A - AMP male/female	E - Through Endcaps
	B Black	D Opal	24 24VDC	11.52W/m	95				
	S Silver	C Clear	36 36VDC	28.80W/m	95+	22-2200K, 25-2500K, 27-2700K 30-3000K, 35-3500K, 40-4000K 50-5000K, 65-6500K	02 - Black&White 22AWG	M - Molex male/female	B - Through profile end bottom
			48 48VDC	5.18W/m	TW				
			6.00W/m		D2W	03 - White PU protected 2 pin	D - DC male/female	S - Through profile side	
			21.60W/m			04 - 3Pin cable for Tunable white			

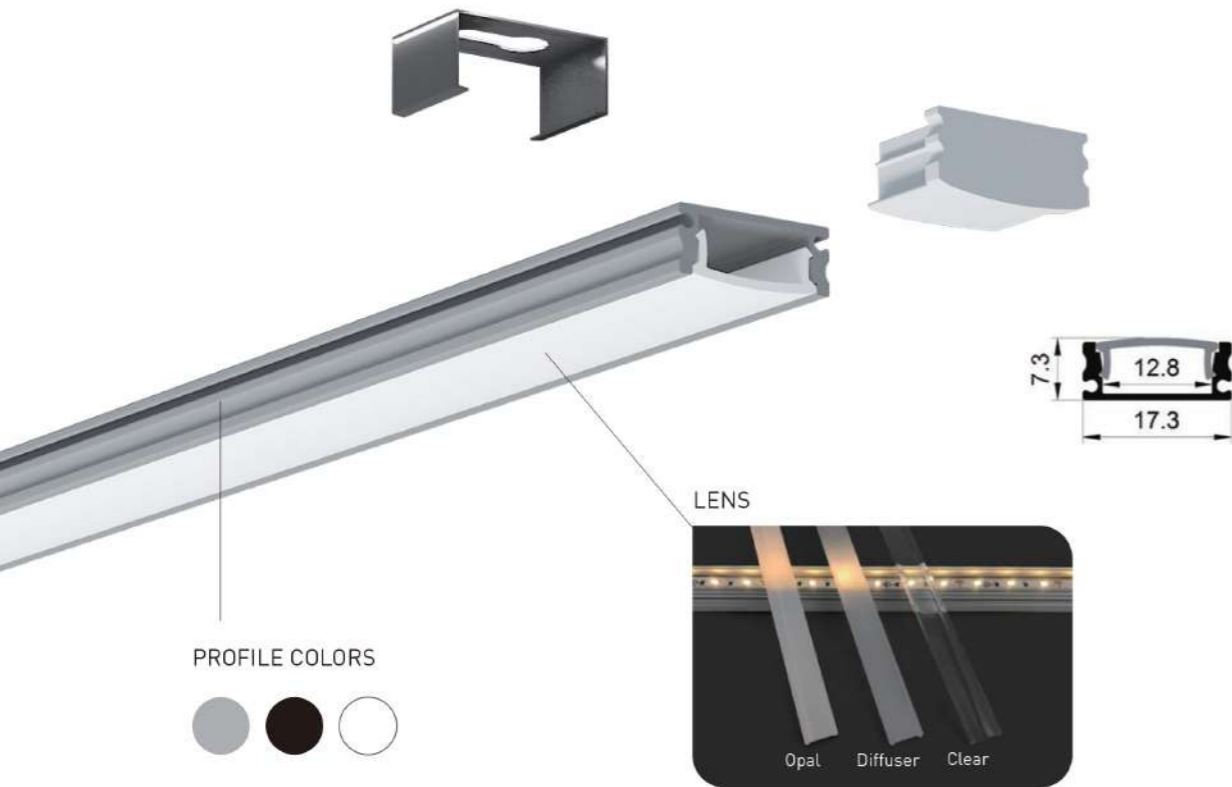
RECOMMEND LIGHT SOURCE

Performance	Part Code	LED QTY	Input Vol.	Power	CRI	Light Source Lumen	Diffuser Lens Lumen	Cuttible length	Max Run	PCB Width
General	FN-H2835T-120	120pcs/m	12/24VDC	14.40 W/m	90+	1512 lm/m	756lm/m	12V=50mm 24V=50mm	12V=5m 24V=9m	10 mm
					95+	1282 lm/m	641lm/m			
High Efficiency	FN-H2835T-128	128pcs/m	12/24VDC	11.52 W/m	90+	1613 lm/m	807lm/m	12V=31.2mm 24V=62.5mm	12V=3m 24V=6m	10 mm
					95+	1475 lm/m	738lm/m			
	FN-H28350-160	160pcs/m	24VDC	24 W/m	90+	3480 lm/m	1932lm/m	50mm	3m	10 mm
					95+	1987 lm/m	994lm/m			
FN-H2835T-160	160pcs/m	12/24VDC	14.40 W/m	90+	1843 lm/m	922lm/m	12V=25mm 24V=50mm	12V=3mm 24V=5mm	10 mm	
				95+	4176 lm/m	2318lm/m				
FN-H28350-192	192pcs/m	24VDC	28.8 W/m	90+	4176 lm/m	2318lm/m	41.7mm	2.5m	10 mm	
				95+	580 lm/m	290lm/m				
Long Run	LN-H2835T-80	80pcs/m	36VDC	5.18W/m	90+	580 lm/m	290lm/m	100mm	50mm	10 mm
					95+	482 lm/m	241lm/m			
	LN-H2835T-112	112pcs/m	48VDC	11.52 W/m	90+	1336 lm/m	668lm/m	125mm	25mm	10 mm
					95+	1106 lm/m	553lm/m			
LN-H2835T-120	120pcs/m	24VDC	6.00 W/m	90+	588 lm/m	294lm/m	50mm	21mm	10 mm	
				95+	486 lm/m	243lm/m				
Short Cut	FN-F2835A-120	120pcs/m	24VDC	21.60 W/m	90+	1922 lm/m	961lm/m	16.7mm	3.5mm	10 mm
					95+	1595 lm/m	798lm/m			



VERTICAL SURFACE MOUNTED SERIES

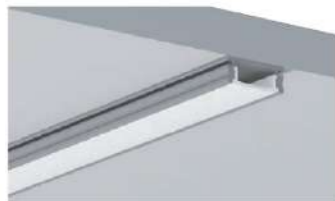
► SL1707C12



ACCESSORIES



Rotating Bracket



Installation: Vertical Surface Mounted
 Length Available: 1-3m
 Profile Color: Silver, Black Anodized, White Powder Coating
 Lens: Opal, Diffuser, Clear
 Input Cable: Endcaps, Profile Bottom, Profile Sides
 Quick Female/Male Connectors Input cable & Junction Box available

VERTICAL SURFACE MOUNTED SERIES

► SL1707C12

ORDERING CODE

LUMINAIRE	FINISH	LENS	Vol.	Power	Ra	CRI	INSTALL ACCS.	IP GRADE	CONTROL OPTOINS
SL1707C12	W White	D Diffuser	24 24VDC	12.96W ± 10% 17.28W ± 10%	90 90+	22-2200K , 24-2400K 25-2500K , 27-2700K 30-3000K , 35-3500K 40-4000K , 50-5000K 65-6500K	01 - Black&Red 22AWG 02 - Black&White 22AWG 03 - White PU protected 2 pin 04 - 3Pin cable for Tunable white	A - AMP male/female M - Molex male/female D - DC male/female	E - Through Endcaps B - Through profile end bottom S - Through profile side
	B Black	O Opal							
	S Silver	C Clear							
					TW	Tunable White - check your executive sales			
					D2W	Dim To Warm - check your executive sales			

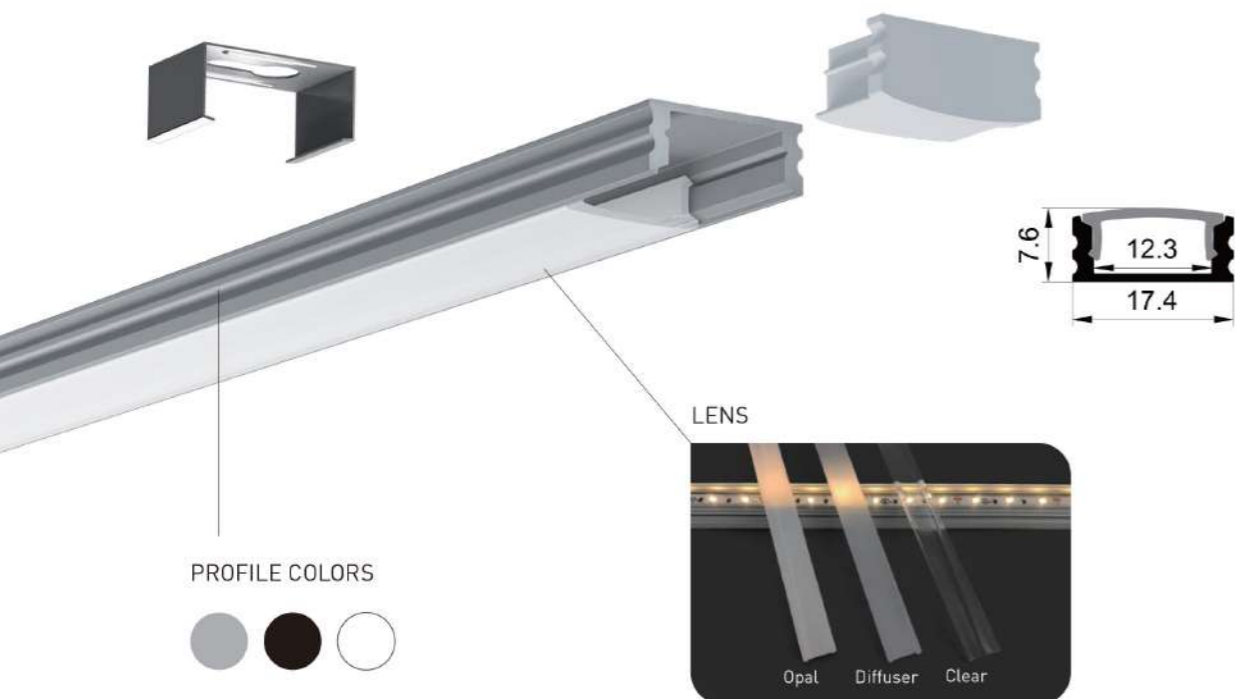
RECOMMEND LIGHT SOURCE

Part Code	LED QTY	Input Vol.	Power	CRI	Light Source Lumen	Diffuser Lens Lumen	Cutttable length	Max Run	PCB Width
FN-2016-180	180pcs/m	24VDC	12.96W ± 10%	90+	1000 lm/m	780 lm/m	33mm	3M	10mm
FN-2016-240	240pcs/m		17.28W ± 10%	90+	1300 lm/m	1014 lm/m	25mm		



VERTICAL SURFACE MOUNTED SERIES

► SL170712



PROFILE COLORS



ACCESSORIES



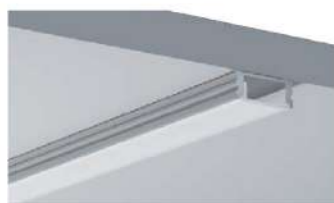
Straight Connector

Straight Connector

L Shape connecto

L Shape connecto

Rotating Bracket



Installation: Vertical Surface Mounted
 Length Available: 1-3m
 Profile Color: Silver, Black Anodized, White Powder Coating
 Lens: Opal, Diffuser, Clear
 Input Cable: Endcaps, Profile Bottom, Profile Sides
 Quick Female/Male Connectors Input cable & Junction Box available

VERTICAL SURFACE MOUNTED SERIES

► SL170712

ORDERING CODE

LUMINAIRE	FINISH	LENS	Vol.	Power	Ra	CRI	INSTALL ACCS.	IP GRADE	CONTROL OPTOINS
SL170712	W White	D Diffuser	24 24VDC	12.96W ± 10% 17.28W ± 10%	90 90+	22-2200K , 24-2400K 25-2500K , 27-2700K 30-3000K , 35-3500K 40-4000K , 50-5000K 65-6500K	D1 - Black&Red 22AWG D2 - Black&White 22AWG D3 - White PU protected 2 pin D4 - 3Pin cable for Tunable white	A - AMP male/female M - Molex male/female D - DC male/female	E - Through Endcaps B - Through profile end bottom S - Through profile side
	B Black	O Opal				TW	Tunable White - check your executive sales		
	S Silver	C Clear				D2W	Dim To Warm - check your executive sales		

RECOMMEND LIGHT SOURCE

Part Code	LED QTY	Input Vol.	Power	CRI	Light Source Lumen	Diffuser Lens Lumen	Cutttable length	Max Run	PCB Width
FN-2016-180	180pcs/m	24VDC	12.96W ± 10%	90+	1000 lm/m	780 lm/m	33mm	3M	10mm
FN-2016-240	240pcs/m		17.28W ± 10%	90+	1300 lm/m	1014 lm/m	25mm		



2200K 2400K 2500K 2700K 3000K 3500K 4000K 5000K 6000K 6500K

VERTICAL SURFACE MOUNTED SERIES

► SL1707D12



VERTICAL SURFACE MOUNTED SERIES

► SL1707D12

ORDERING CODE

LUMINAIRE	FINISH	LENS	Vol.	Power	Ra	CRI	INSTALL ACCS.	IP GRADE	CONTROL OPTOINS
SL1707D12	W White	D Diffuser	24 24VDC	12.96W ± 10% 17.28W ± 10%	90 90+	22-2200K , 24-2400K 25-2500K , 27-2700K 30-3000K , 35-3500K 40-4000K , 50-5000K 65-6500K	01 - Black&Red 22AWG 02 - Black&White 22AWG 03 - White PU protected 2 pin 04 - 3Pin cable for Tunable white	A - AMP male/female M - Molex male/female D - DC male/female	E - Through Endcaps B - Through profile end bottom S - Through profile side
	B Black	O Opal							
	S Silver	C Clear							
					TW	Tunable White - check your executive sales			
					D2W	Dim To Warm - check your executive sales			

RECOMMEND LIGHT SOURCE

Part Code	LED QTY	Input Vol.	Power	CRI	Light Source Lumen	Diffuser Lens Lumen	Cutttable length	Max Run	PCB Width
FN-2016-180	180pcs/m	24VDC	12.96W ± 10%	90+	1000 lm/m	780 lm/m	33mm	3M	10mm
FN-2016-240	240pcs/m		17.28W ± 10%	90+	1300 lm/m	1014 lm/m	25mm		



Installation: Vertical Surface Mounted
 Length Available: 1-3m
 Profile Color: Silver, Black Anodized, White Powder Coating
 Lens: Opal, Diffuser, Clear
 Input Cable: Endcaps, Profile Bottom, Profile Sides
 Quick Female/Male Connectors Input cable & Junction Box available

VERTICAL SURFACE MOUNTED SERIES

► SL171512



PROFILE COLORS



ACCESSORIES



Installation: Vertical Surface Mounted
 Length Available: 1-3m
 Profile Color: Silver, Black Anodized, White Powder Coating
 Lens: Opal, Diffuser, Clear
 Input Cable: Endcaps, Profile Bottom, Profile Sides
 Quick Female/Male Connectors Input cable & Junction Box available

VERTICAL SURFACE MOUNTED SERIES

► SL171512

ORDERING CODE

LUMINAIRE	FINISH	LENS	Vol.	Power	Ra	CRI	INSTALL ACCS.	IP GRADE	CONTROL OPTOINS
SL171512	W White	D Diffuser	12 12VDC	14.40W/m	90 90+	22-2200K, 24-2400K, 25-2500K 27-2700K, 30-3000K, 35-3500K 40-4000K, 50-5000K, 65-6500K	01 - Black&Red 22AWG	A - AMP male/female M - Molex male/female D - DC male/female	E - Through Endcaps B - Through profile end bottom S - Through profile side
	B Black	O Opal	24 24VDC	11.52W/m	95 95+	22-2200K, 25-2500K, 27-2700K 30-3000K, 35-3500K, 40-4000K 50-5000K, 65-6500K	02 - Black&White 22AWG		
	S Silver	C Clear	36 36VDC	24.00W/m	TW	Tunable White - check your executive sales	03 - White PU protected 2 pin		
			48 48VDC	28.80W/m	D2W	Dim To Warm - check your executive sales	04 - 3Pin cable for Tunable white		
			6.00W/m						
			21.60W/m						

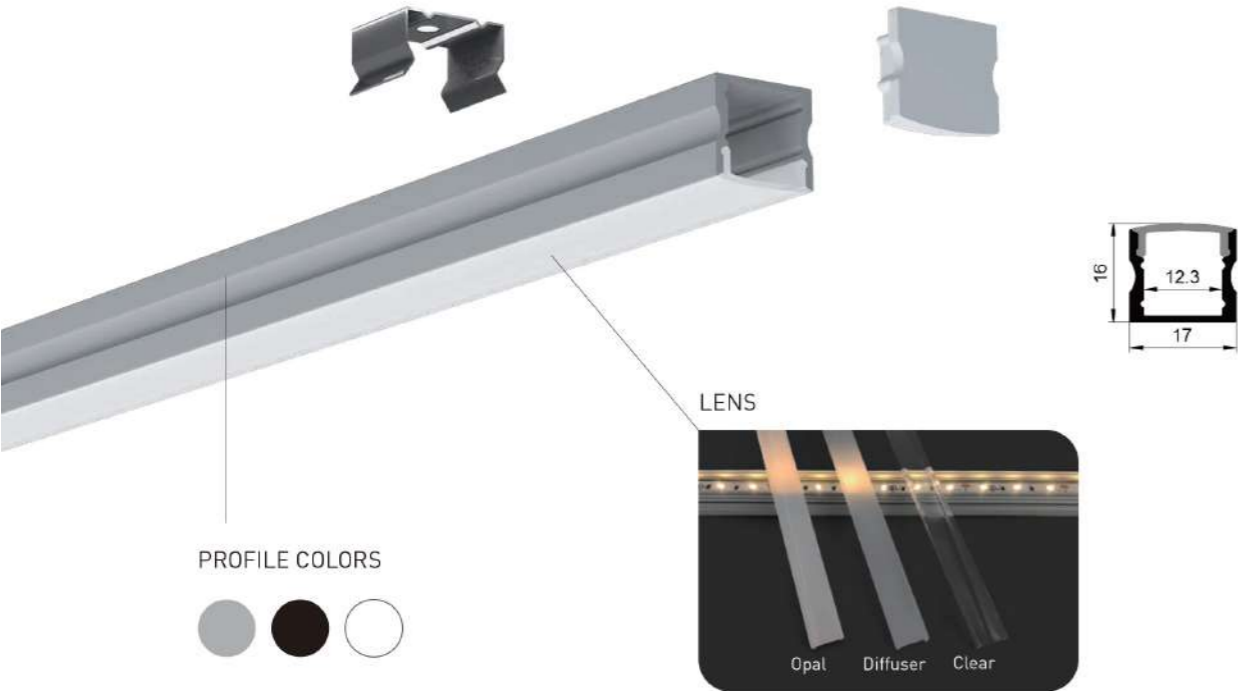
RECOMMEND LIGHT SOURCE

Performance	Part Code	LED QTY	Input Vol.	Power	CRI	Light Source Lumen	Diffuser Lens Lumen	Cutttable length	Max Run	PCB Width
General	FN-H2835T-120	120pcs/m	12/24VDC	14.40 W/m	90+	1512 lm/m	680lm/m	12V=50mm 24V=50mm	12V=5m 24V=9m	10 mm
					95+	1282 lm/m	577lm/m			
High Efficiency	FN-H2835T-128	128pcs/m	12/24VDC	11.52 W/m	90+	1613 lm/m	726lm/m	12V=31.2mm 24V=62.5mm	12V=3m 24V=6m	10 mm
					95+	1475 lm/m	664lm/m			
	FN-H28350-160	160pcs/m	24VDC	24 W/m	90+	3480 lm/m	1739lm/m	50mm	3m	10 mm
					95+	1987 lm/m	894lm/m	12V=25mm 24V=50mm	12V=3mm 24V=5mm	10 mm
FN-H28350-192	192pcs/m	24VDC	28.8 W/m	90+	4176 lm/m	2086lm/m	41.7mm	2.5m	10 mm	
				95+	1843 lm/m	829lm/m				
Long Run	LN-H2835T-80	80pcs/m	36VDC	5.18W/m	90+	580 lm/m	261lm/m	100mm	50mm	10 mm
					95+	482 lm/m	217lm/m			
	LN-H2835T-112	112pcs/m	48VDC	11.52 W/m	90+	1336 lm/m	601lm/m	125mm	25mm	10 mm
					95+	1106 lm/m	498lm/m			
LN-H2835T-120	120pcs/m	24VDC	6.00 W/m	90+	588 lm/m	265lm/m	50mm	21mm	10 mm	
				95+	486 lm/m	219lm/m				
Short Cut	FN-F2835A-120	120pcs/m	24VDC	21.60 W/m	90+	1922 lm/m	865lm/m	16.7mm	3.5mm	10 mm
					95+	1595 lm/m	718lm/m			



VERTICAL SURFACE MOUNTED SERIES

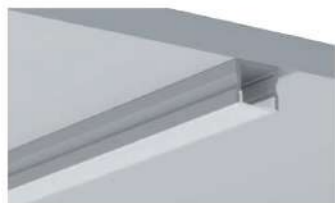
► SL1715B12



PROFILE COLORS



ACCESSORIES



Installation: Vertical Surface Mounted
 Length Available: 1-3m
 Profile Color: Silver, Black Anodized, White Powder Coating
 Lens: Opal, Diffuser, Clear
 Input Cable: Endcaps, Profile Bottom, Profile Sides
 Quick Female/Male Connectors Input cable & Junction Box available

VERTICAL SURFACE MOUNTED SERIES

► SL1715B12

ORDERING CODE

LUMINAIRE	FINISH	LENS	Vol.	Power	Ra	CRI	INSTALL ACCS.	IP GRADE	CONTROL OPTOINS
SL1715B12	W White	D Diffuser	12 12VDC	14.40W/m	90	22-2200K, 24-2400K, 25-2500K 27-2700K, 30-3000K, 35-3500K 40-4000K, 50-5000K, 65-6500K	01 - Black&Red 22AWG 02 - Black&White 22AWG 03 - White PU protected 2 pin 04 - 3Pin cable for Tunable white	A - AMP male/female M - Molex male/female D - DC male/female	E - Through Endcaps B - Through profile end bottom S - Through profile side
	B Black	O Opal	24 24VDC	11.52W/m	95				
	S Silver	C Clear	36 36VDC	24.00W/m	95+	TW Tunable White - check your executive sales D2W Dim To Warm - check your executive sales			
			48 48VDC	28.80W/m					
			5.18W/m						
			6.00W/m						
			21.60W/m						

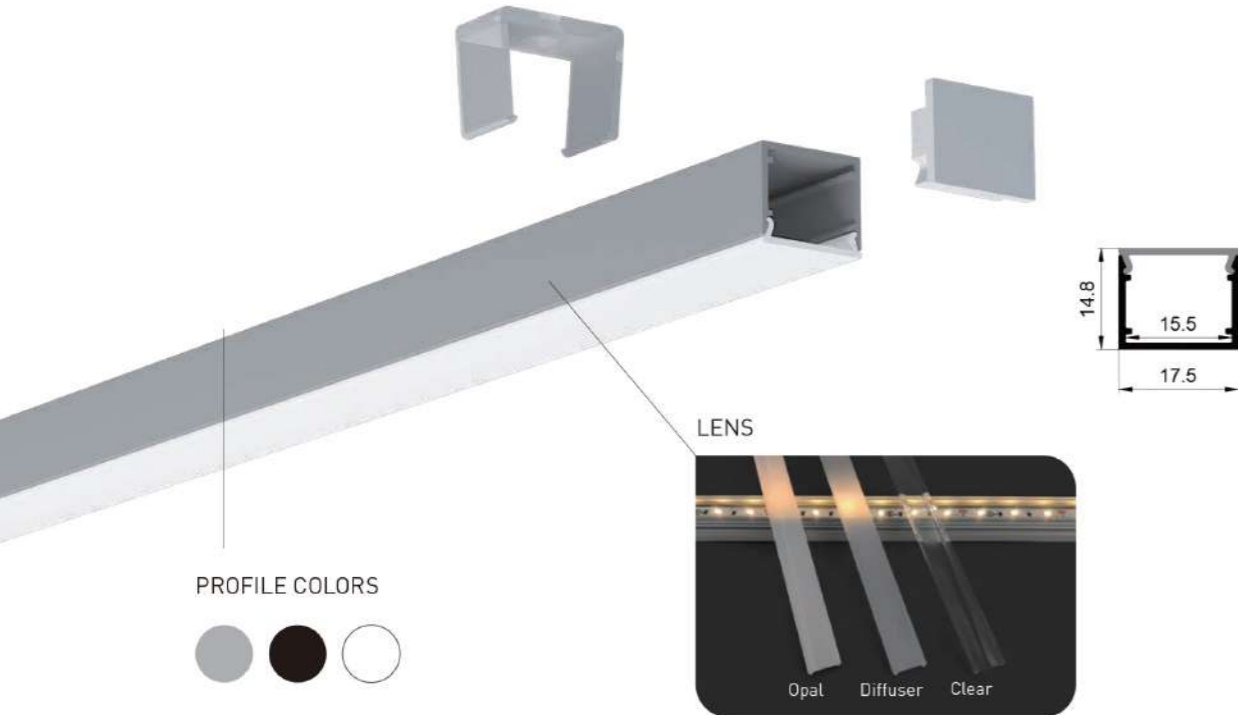
RECOMMEND LIGHT SOURCE

Performance	Part Code	LED QTY	Input Vol.	Power	CRI	Light Source Lumen	Diffuser Lens Lumen	Cuttable length	Max Run	PCB Width
General	FN-H2835T-120	120pcs/m	12/24VDC	14.40 W/m	90+	1512 lm/m	680lm/m	12V=50mm	12V=5m	10 mm
					95+	1282 lm/m	577lm/m	24V=50mm	24V=9m	
High Efficiency	FN-H2835T-128	128pcs/m	12/24VDC	11.52 W/m	90+	1613 lm/m	726lm/m	12V=31.2mm	12V=3m	10 mm
					95+	1475 lm/m	664lm/m	24V=62.5mm	24V=6m	
	FN-H2835O-160	160pcs/m	24VDC	24 W/m	90+	3480 lm/m	1739lm/m	50mm	3m	10 mm
					95+	1843 lm/m	829lm/m	12V=25mm	12V=3mm	
Long Run	FN-H2835T-160	160pcs/m	12/24VDC	14.40 W/m	90+	1987 lm/m	894lm/m	12V=25mm	12V=3mm	10 mm
					95+	1843 lm/m	829lm/m	24V=50mm	24V=5mm	
	FN-H2835O-192	192pcs/m	24VDC	28.8 W/m	90+	4176 lm/m	2086lm/m	41.7mm	2.5m	10 mm
					95+	482 lm/m	217lm/m	100mm	50mm	
	LN-H2835T-80	80pcs/m	36VDC	5.18W/m	90+	580 lm/m	261lm/m			10 mm
					95+	1106 lm/m	498lm/m	125mm	25mm	
LN-H2835T-112	112pcs/m	48VDC	11.52 W/m	90+	1336 lm/m	601lm/m			10 mm	
				95+	1106 lm/m	498lm/m	50mm	21mm		
LN-H2835T-120	120pcs/m	24VDC	6.00 W/m	90+	588 lm/m	265lm/m			10 mm	
				95+	486 lm/m	219lm/m	50mm	21mm		
Short Cut	FN-F2835A-120	120pcs/m	24VDC	21.60 W/m	90+	1922 lm/m	865lm/m	16.7mm	3.5mm	10 mm
					95+	1595 lm/m	718lm/m			



VERTICAL SURFACE MOUNTED SERIES

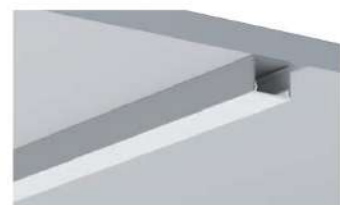
► SL1715H15



ACCESSORIES



Rotating Bracket



Installation: Vertical Surface Mounted
 Length Available: 1-3m
 Profile Color: Silver, Black Anodized, White Powder Coating
 Lens: Opal, Diffuser, Clear
 Input Cable: Endcaps, Profile Bottom, Profile Sides
 Quick Female/Male Connectors Input cable & Junction Box available

VERTICAL SURFACE MOUNTED SERIES

► SL1715H15

ORDERING CODE

LUMINAIRE	FINISH	LENS	Vol.	Power	Ra	CRI	INSTALL ACCS.	IP GRADE	CONTROL OPTOINS
SL1715H15	W White	D Diffuser	12 12VDC	14.40W/m	90	22-2200K, 24-2400K, 25-2500K 27-2700K, 30-3000K, 35-3500K 40-4000K, 50-5000K, 65-6500K	01 - Black&Red 22AWG 02 - Black&White 22AWG 03 - White PU protected 2 pin 04 - 3Pin cable for Tunable white	A - AMP male/female M - Molex male/female D - DC male/female	E - Through Endcaps B - Through profile end bottom S - Through profile side
	B Black	O Opal	24 24VDC	11.52W/m	90+				
	S Silver	C Clear	36 36VDC	24.00W/m	95	22-2200K, 25-2500K, 27-2700K 30-3000K, 35-3500K, 40-4000K 50-5000K, 65-6500K			
			48 48VDC	28.80W/m	95+				
				5.18W/m	TW	Tunable White - check your executive sales			
				6.00W/m					
				21.60W/m	D2W	Dim To Warm - check your executive sales			

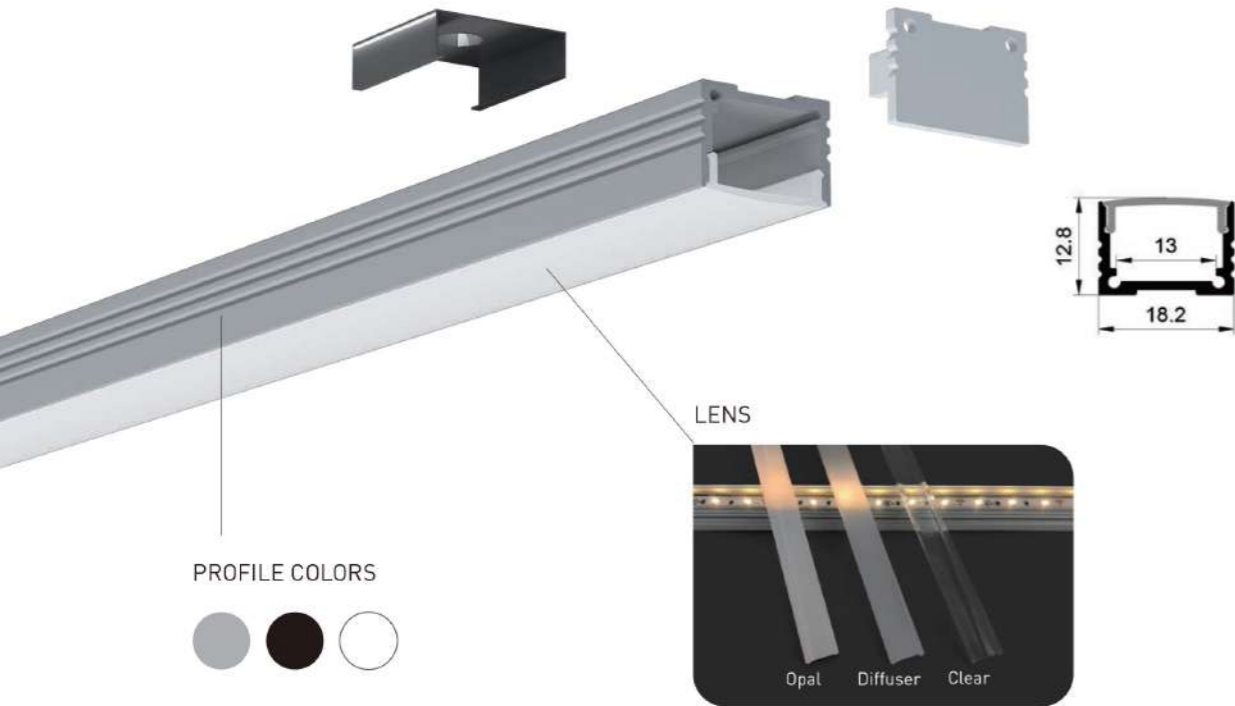
RECOMMEND LIGHT SOURCE

Performance	Part Code	LED QTY	Input Vol.	Power	CRI	Light Source Lumen	Diffuser Lens Lumen	Cutttable length	Max Run	PCB Width
General	FN-H2835T-120	120pcs/m	12/24VDC	14.40 W/m	90+	1512 lm/m	680lm/m	12V=50mm	12V=5m	10 mm
					95+	1282 lm/m	577lm/m	24V=50mm	24V=9m	
High Efficiency	FN-H2835T-128	128pcs/m	12/24VDC	11.52 W/m	90+	1613 lm/m	726lm/m	12V=31.2mm	12V=3m	10 mm
					95+	1475 lm/m	664lm/m	24V=62.5mm	24V=6m	
	FN-H28350-160	160pcs/m	24VDC	24 W/m	90+	3480 lm/m	1739lm/m	50mm	3m	10 mm
					95+	1987 lm/m	894lm/m	12V=25mm	12V=3mm	
FN-H2835T-160	160pcs/m	12/24VDC	14.40 W/m	90+	1843 lm/m	829lm/m	24V=50mm	24V=5mm	10 mm	
				95+	1843 lm/m	829lm/m				
FN-H28350-192	192pcs/m	24VDC	28.8 W/m	90+	4176 lm/m	2086lm/m	41.7mm	2.5m	10 mm	
				95+	4176 lm/m	2086lm/m				
Long Run	LN-H2835T-80	80pcs/m	36VDC	5.18W/m	90+	580 lm/m	261lm/m	100mm	50mm	10 mm
					95+	482 lm/m	217lm/m			
	LN-H2835T-112	112pcs/m	48VDC	11.52 W/m	90+	1336 lm/m	601lm/m	125mm	25mm	10 mm
LN-H2835T-120	120pcs/m	24VDC	6.00 W/m	90+	1106 lm/m	498lm/m	50mm	21mm	10 mm	
				95+	588 lm/m	265lm/m				
Short Cut	FN-F2835A-120	120pcs/m	24VDC	21.60 W/m	90+	1922 lm/m	865lm/m	16.7mm	3.5mm	10 mm
					95+	1595 lm/m	718lm/m			



VERTICAL SURFACE MOUNTED SERIES

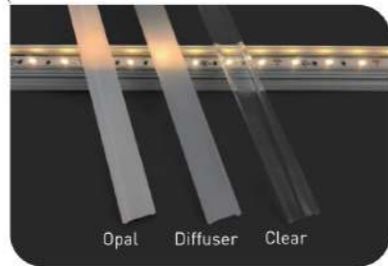
► SL181313



PROFILE COLORS



LENS



ACCESSORIES



Rotating Bracket



Installation: Vertical Surface Mounted
 Length Available: 1-3m
 Profile Color: Silver, Black Anodized, White Powder Coating
 Lens: Opal, Diffuser, Clear
 Input Cable: Endcaps, Profile Bottom, Profile Sides
 Quick Female/Male Connectors Input cable & Junction Box available

VERTICAL SURFACE MOUNTED SERIES

► SL181313

ORDERING CODE

LUMINAIRE	FINISH	LENS	Vol.	Power	Ra	CRI	INSTALL ACCS.	IP GRADE	CONTROL OPTOINS
SL181313	W White	D Diffuser	12 12VDC	14.40W/m	90 90+	22-2200K , 24-2400K , 25-2500K 27-2700K , 30-3000K , 35-3500K 40-4000K , 50-5000K , 65-6500K	01 - Black&Red 22AWG	A - AMP male/female M - Molex male/female D - DC male/female	E - Through Endcaps B - Through profile end bottom S - Through profile side
	B Black	O Opal	24 24VDC	11.52W/m	95 95+	22-2200K , 25-2500K , 27-2700K 30-3000K , 35-3500K , 40-4000K 50-5000K , 65-6500K	02 - Black&White 22AWG		
	S Silver	C Clear	36 36VDC	24.00W/m	TW	Tunable White - check your executive sales	03 - White PU protected 2 pin		
			48 48VDC	5.18W/m	D2W	Dim To Warm - check your executive sales	04 - 3Pin cable for Tunable white		
			6.00W/m						
			21.60W/m						

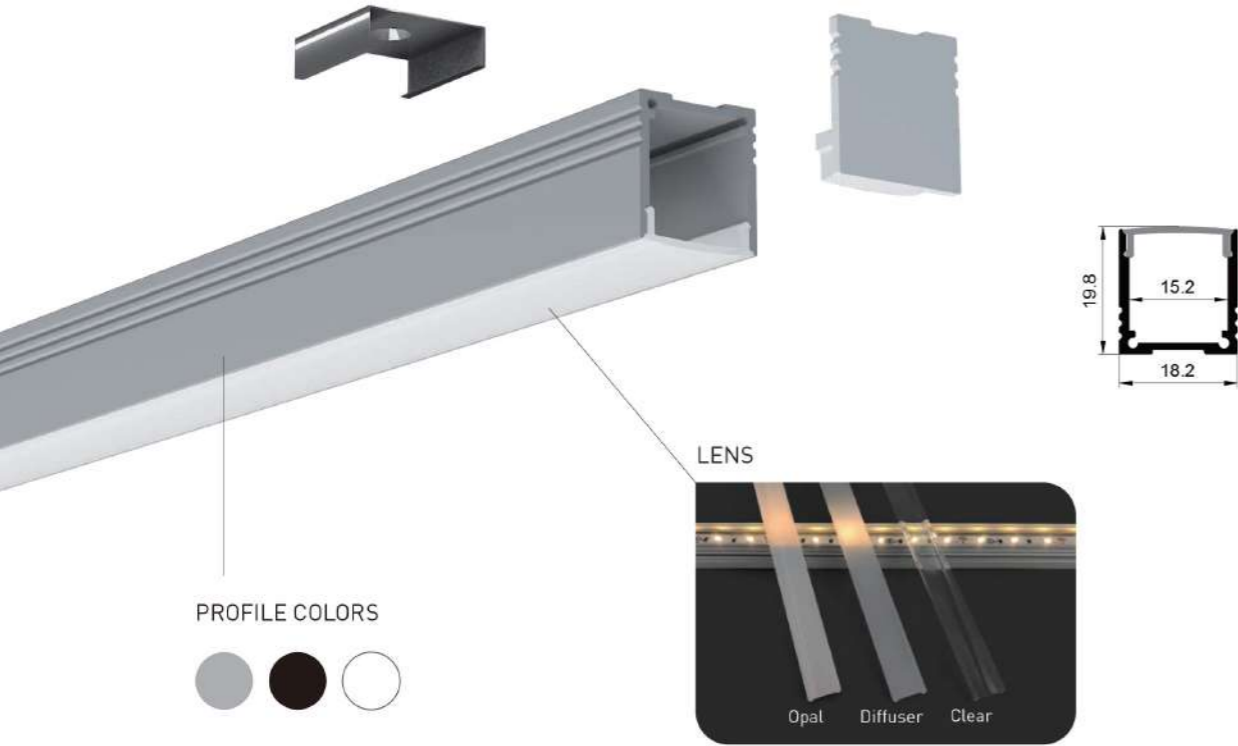
RECOMMEND LIGHT SOURCE

Performance	Part Code	LED QTY	Input Vol.	Power	CRI	Light Source Lumen	Diffuser Lens Lumen	Cutttable length	Max Run	PCB Width
General	FN-H2835T-120	120pcs/m	12/24VDC	14.40 W/m	90+	1512 lm/m	680lm/m	12V=50mm	12V=5m	10 mm
					95+	1282 lm/m	577lm/m	24V=50mm	24V=9m	
High Efficiency	FN-H2835T-128	128pcs/m	12/24VDC	11.52 W/m	90+	1613 lm/m	726lm/m	12V=31.2mm	12V=3m	10 mm
					95+	1475 lm/m	664lm/m	24V=62.5mm	24V=6m	
	FN-H28350-160	160pcs/m	24VDC	24 W/m	90+	3480 lm/m	1739lm/m	50mm	3m	10 mm
					95+	1987 lm/m	894lm/m	12V=25mm	12V=3mm	
FN-H2835T-160	160pcs/m	12/24VDC	14.40 W/m	90+	1843 lm/m	829lm/m	24V=50mm	24V=5mm	10 mm	
				95+	1843 lm/m	829lm/m				
FN-H28350-192	192pcs/m	24VDC	28.8 W/m	90+	4176 lm/m	2086lm/m	41.7mm	2.5m	10 mm	
				95+	4176 lm/m	2086lm/m				
Long Run	LN-H2835T-80	80pcs/m	36VDC	5.18W/m	90+	580 lm/m	261lm/m	100mm	50mm	10 mm
	LN-H2835T-112	112pcs/m	48VDC	11.52 W/m	90+	1336 lm/m	601lm/m	125mm	25mm	10 mm
					95+	1106 lm/m	498lm/m			
LN-H2835T-120	120pcs/m	24VDC	6.00 W/m	90+	588 lm/m	265lm/m	50mm	21mm	10 mm	
				95+	486 lm/m	219lm/m				
Short Cut	FN-F2835A-120	120pcs/m	24VDC	21.60 W/m	90+	1922 lm/m	865lm/m	16.7mm	3.5mm	10 mm
					95+	1595 lm/m	718lm/m			



VERTICAL SURFACE MOUNTED SERIES

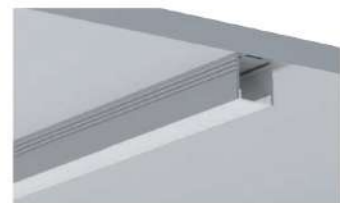
► SL181915



ACCESSORIES



Rotating Bracket



Installation: Vertical Surface Mounted
 Length Available: 1-3m
 Profile Color: Silver, Black Anodized, White Powder Coating
 Lens: Opal, Diffuser, Clear
 Input Cable: Endcaps, Profile Bottom, Profile Sides
 Quick Female/Male Connectors Input cable & Junction Box available

VERTICAL SURFACE MOUNTED SERIES

► SL181915

ORDERING CODE

LUMINAIRE	FINISH	LENS	Vol.	Power	Ra	CRI	INSTALL ACCS.	IP GRADE	CONTROL OPTOINS
SL181915	W White	D Diffuser	12 12VDC	14.40W/m	90 90+	22-2200K, 24-2400K, 25-2500K 27-2700K, 30-3000K, 35-3500K 40-4000K, 50-5000K, 65-6500K	01 - Black&Red 22AWG	A - AMP male/female M - Molex male/female D - DC male/female	E - Through Endcaps B - Through profile end bottom S - Through profile side
	B Black	O Opal	24 24VDC	11.52W/m	95 95+	22-2200K, 25-2500K, 27-2700K 30-3000K, 35-3500K, 40-4000K 50-5000K, 65-6500K	02 - Black&White 22AWG		
	S Silver	C Clear	36 36VDC	24.00W/m	TW	Tunable White - check your executive sales	03 - White PU protected 2 pin		
			48 48VDC	28.80W/m	D2W	Dim To Warm - check your executive sales	04 - 3Pin cable for Tunable white		
			5.18W/m	6.00W/m					
			21.60W/m						

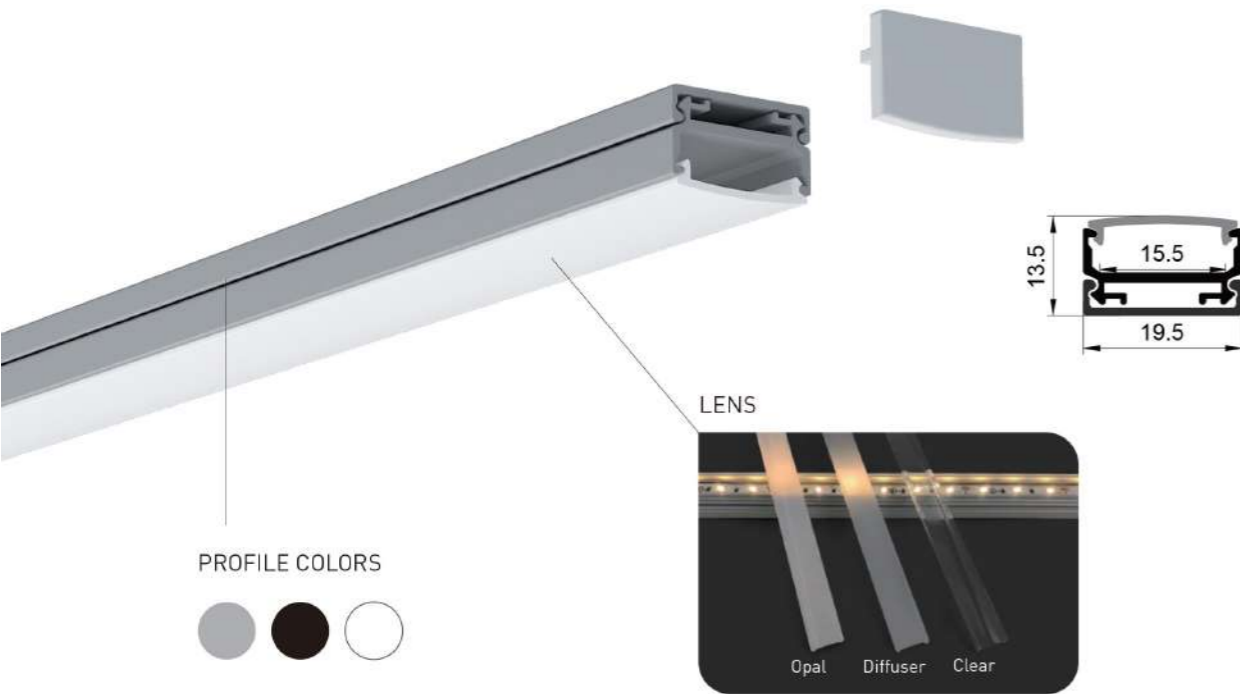
RECOMMEND LIGHT SOURCE

Performance	Part Code	LED QTY	Input Vol.	Power	CRI	Light Source Lumen	Diffuser Lens Lumen	Cutttable length	Max Run	PCB Width
General	FN-H2835T-120	120pcs/m	12/24VDC	14.40 W/m	90+	1512 lm/m	680lm/m	12V=50mm	12V=5m	10 mm
					95+	1282 lm/m	577lm/m	24V=50mm	24V=9m	
High Efficiency	FN-H2835T-128	128pcs/m	12/24VDC	11.52 W/m	90+	1613 lm/m	726lm/m	12V=31.2mm	12V=3m	10 mm
					95+	1475 lm/m	664lm/m	24V=62.5mm	24V=6m	
	FN-H28350-160	160pcs/m	24VDC	24 W/m	90+	3480 lm/m	1739lm/m	50mm	3m	10 mm
					95+	1987 lm/m	894lm/m	12V=25mm	12V=3mm	
FN-H2835T-160	160pcs/m	12/24VDC	14.40 W/m	90+	1843 lm/m	829lm/m	24V=50mm	24V=5mm	10 mm	
				95+	1843 lm/m	829lm/m				
FN-H28350-192	192pcs/m	24VDC	28.8 W/m	90+	4176 lm/m	2086lm/m	41.7mm	2.5m	10 mm	
				95+	4176 lm/m	2086lm/m				
Long Run	LN-H2835T-80	80pcs/m	36VDC	5.18W/m	90+	580 lm/m	261lm/m	100mm	50mm	10 mm
					95+	482 lm/m	217lm/m			
	LN-H2835T-112	112pcs/m	48VDC	11.52 W/m	90+	1336 lm/m	601lm/m	125mm	25mm	10 mm
95+					1106 lm/m	498lm/m				
LN-H2835T-120	120pcs/m	24VDC	6.00 W/m	90+	588 lm/m	265lm/m	50mm	21mm	10 mm	
				95+	486 lm/m	219lm/m				
Short Cut	FN-F2835A-120	120pcs/m	24VDC	21.60 W/m	90+	1922 lm/m	865lm/m	16.7mm	3.5mm	10 mm
					95+	1595 lm/m	718lm/m			



VERTICAL SURFACE MOUNTED SERIES

► SL2019C15



VERTICAL SURFACE MOUNTED SERIES

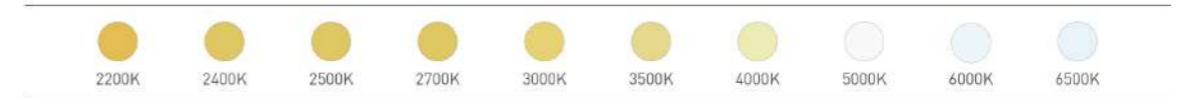
► SL2019C15

ORDERING CODE

LUMINAIRE	FINISH	LENS	Vol.	Power	Ra	CRI	INSTALL ACCS.	IP GRADE	CONTROL OPTOINS
SL2019C15	W White	D Diffuser	12 12VDC	14.40W/m	90	22-2200K, 24-2400K, 25-2500K 27-2700K, 30-3000K, 35-3500K 40-4000K, 50-5000K, 65-6500K	01 - Black&Red 22AWG 02 - Black&White 22AWG 03 - White PU protected 2 pin 04 - 3Pin cable for Tunable white	A - AMP male/female M - Molex male/female D - DC male/female	E - Through Endcaps B - Through profile end bottom S - Through profile side
	B Black	O Opal	24 24VDC	11.52W/m	95				
	S Silver	C Clear	36 36VDC	24.00W/m	95+	TW Tunable White - check your executive sales D2W Dim To Warm - check your executive sales			
			48 48VDC	28.80W/m					
			5.18W/m	6.00W/m					
			21.60W/m						

RECOMMEND LIGHT SOURCE

Part Code	LED QTY	Input Vol.	Power	CRI	Light Source Lumen	Diffuser Lens Lumen	Cutttable length	Max Run	PCB Width
FN-2016-180	180pcs/m	24VDC	12.96W ± 10%	90+	1000 lm/m	780 lm/m	33mm	3M	10mm
FN-2016-240	240pcs/m		17.28W ± 10%	90+	1300 lm/m	1014 lm/m	25mm		



Installation: Vertical Surface Mounted
 Length Available: 1-3m
 Profile Color: Silver, Black Anodized, White Powder Coating
 Lens: Opal, Diffuser, Clear
 Input Cable: Endcaps, Profile Bottom, Profile Sides
 Quick Female/Male Connectors Input cable & Junction Box available

VERTICAL SURFACE MOUNTED SERIES

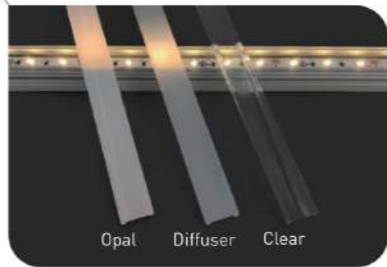
► SL2016E16



PROFILE COLORS



LENS



ACCESSORIES



Pendant Kit



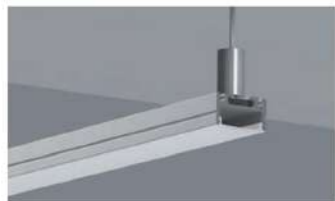
L Shape connecto



90° Connector



Straight Connector



Installation: Vertical Surface Mounted
 Length Available: 1-3m
 Profile Color: Silver, Black Anodized, White Powder Coating
 Lens: Opal, Diffuser, Clear
 Input Cable: Endcaps, Profile Bottom, Profile Sides
 Quick Female/Male Connectors Input cable & Junction Box available

VERTICAL SURFACE MOUNTED SERIES

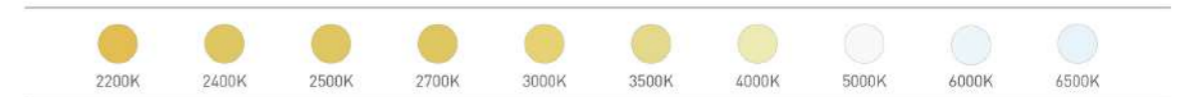
► SL2016E16

ORDERING CODE

LUMINAIRE	FINISH	LENS	Vol.	Power	Ra	CRI	INSTALL ACCS.	IP GRADE	CONTROL OPTOINS
SL2016E16	W White	D Diffuser	24 24VDC	12.96W ± 10% 17.28W ± 10%	90 90+	22-2200K , 24-2400K 25-2500K , 27-2700K 30-3000K , 35-3500K 40-4000K , 50-5000K 65-6500K	01 - Black&Red 22AWG 02 - Black&White 22AWG 03 - White PU protected 2 pin 04 - 3Pin cable for Tunable white	A - AMP male/female M - Molex male/female D - DC male/female	E - Through Endcaps B - Through profile end bottom S - Through profile side
	B Black	O Opal				TW Tunable White - check your executive sales			
	S Silver	C Clear				D2W Dim To Warm - check your executive sales			

RECOMMEND LIGHT SOURCE

Part Code	LED QTY	Input Vol.	Power	CRI	Light Source Lumen	Diffuser Lens Lumen	Cutttable length	Max Run	PCB Width
FN-2016-180	180pcs/m	24VDC	12.96W ± 10%	90+	1000 lm/m	780 lm/m	33mm	3M	10mm
FN-2016-240	240pcs/m		17.28W ± 10%	90+	1300 lm/m	1014 lm/m	25mm		



VERTICAL SURFACE MOUNTED SERIES

► SL202113



PROFILE COLORS



Installation: Vertical Surface Mounted
 Length Available: 1-3m
 Profile Color: Silver, Black Anodized, White Powder Coating
 Lens: Opal, Diffuser, Clear
 Input Cable: Endcaps, Profile Bottom, Profile Sides
 Quick Female/Male Connectors Input cable & Junction Box available

VERTICAL SURFACE MOUNTED SERIES

► SL202113

ORDERING CODE

LUMINAIRE	FINISH	LENS	Vol.	Power	Ra	CRI	INSTALL ACCS.	IP GRADE	CONTROL OPTOINS
SL202113	W White	D Diffuser	12 12VDC	14.40W/m	90 90+	22-2200K, 24-2400K, 25-2500K 27-2700K, 30-3000K, 35-3500K 40-4000K, 50-5000K, 65-6500K	01 - Black&Red 22AWG 02 - Black&White 22AWG 03 - White PU protected 2 pin 04 - 3Pin cable for Tunable white	A - AMP male/female M - Molex male/female D - DC male/female	E - Through Endcaps B - Through profile end bottom S - Through profile side
			24 24VDC	7.68W/m					
	B Black	O Opal	24 24VDC	5.04W/m	95 95+	22-2200K, 25-2500K, 27-2700K 30-3000K, 35-3500K, 40-4000K 50-5000K, 65-6500K			
			36 36VDC	2.40W/m					
	S Silver	C Clear	48 48VDC	5.76W/m	TW	Tunable White - check your executive sales			
				11.52W/m					
				24.00W/m					
				28.80W/m					
				5.18W/m					
				6.00W/m					
	21.60W/m	D2W	Dim To Warm - check your executive sales						

RECOMMEND LIGHT SOURCE

Performance	Part Code	LED QTY	Input Vol.	Power	CRI	Light Source Lumen	Diffuser Lens Lumen	Cuttable length	Max Run	PCB Width			
General	FN-2835T-60	60pcs/m	12/24VDC	14.40 W/m	90+	1440 lm/m	648 lm/m	12V=50mm 24V=100mm	12V=5m 24V=9m	10 mm			
					95+	1238 lm/m	557 lm/m						
High Efficiency	FN-H2835T-64	64pcs/m	24VDC	7.68 W/m	90+	1029 lm/m	463 lm/m	125mm	5m	10 mm			
					95+	968 lm/m	436 lm/m						
Long Run	LN-2835T-60	60pcs/m	24VDC	5.04 W/m	90+	499 lm/m	225 lm/m	100mm	21m	10mm			
					95+	413 lm/m	186 lm/m						
					2.4 W/m	90+	230 lm/m				104 lm/m		
				LN-2835T-56	56pcs/m	48VDC	5.76 W/m	90+	668 lm/m	301 lm/m	250mm	35mm	10 mm
								95+	553 lm/m	249 lm/m			
								90+	1239 lm/m	531 lm/m			
Short Cut	FN-F2835A-60	60pcs/m	24VDC	14.4 W/m	90+	1239 lm/m	531 lm/m	33.3mm	5.5mm	10 mm			
					95+	979lm/m	441 lm/m						

VERTICAL SURFACE MOUNTED SERIES

► SL202113

RECOMMEND LIGHT SOURCE

Performance	Part Code	LED QTY	Input Vol.	Power	CRI	Light Source Lumen	Diffuser Lens Lumen	Cuttable Length	Max Run	PCB Width
General	FN-H2835T-120	120pcs/m	12/24VDC	14.40 W/m	90+	1512 lm/m	680lm/m	12V=50mm 24V=50mm	12V=5m 24V=9m	10 mm
					95+	1282 lm/m	577lm/m			
High Efficiency	FN-H2835T-128	128pcs/m	12/24VDC	11.52 W/m	90+	1613 lm/m	726lm/m	12V=31.2mm 24V=62.5mm	12V=3m 24V=6m	10 mm
					95+	1475 lm/m	664lm/m			
	FN-H28350-160	160pcs/m	24VDC	24 W/m	90+	3480 lm/m	1739lm/m	50mm	3m	10 mm
					95+	1987 lm/m	894lm/m	12V=25mm 24V=50mm	12V=3mm 24V=5mm	10 mm
FN-H2835T-160	160pcs/m	12/24VDC	14.40 W/m	90+	1987 lm/m	894lm/m				
				95+	1843 lm/m	829lm/m				
FN-H28350-192	192pcs/m	24VDC	28.8 W/m	90+	4176 lm/m	2086lm/m	41.7mm	2.5m	10 mm	
				95+	482 lm/m	217lm/m				
Long Run	LN-H2835T-80	80pcs/m	36VDC	5.18W/m	90+	580 lm/m	261lm/m	100mm	50mm	10 mm
					95+	482 lm/m	217lm/m			
	LN-H2835T-112	112pcs/m	48VDC	11.52 W/m	90+	1336 lm/m	601lm/m	125mm	25mm	10 mm
					95+	1106 lm/m	498lm/m			
	LN-H2835T-120	120pcs/m	24VDC	6.00 W/m	90+	588 lm/m	265lm/m	50mm	21mm	10 mm
					95+	486 lm/m	219lm/m			
Short Cut	FN-F2835A-120	120pcs/m	24VDC	21.60 W/m	90+	1922 lm/m	865lm/m	16.7mm	3.5mm	10 mm
					95+	1595 lm/m	718lm/m			



VERTICAL SURFACE MOUNTED SERIES

► SL262524



Installation: Vertical Surface Mounted
 Length Available: 1-3m
 Profile Color: Silver, Black Anodized, White Powder Coating
 Lens: Opal, Diffuser, Clear
 Input Cable: Endcaps, Profile Bottom, Profile Sides
 Quick Female/Male Connectors Input cable & Junction Box available

VERTICAL SURFACE MOUNTED SERIES

► SL262524

ORDERING CODE

LUMINAIRE	FINISH	LENS	Vol.	Power	Ra	CRI	INSTALL ACCS.	IP GRADE	CONTROL OPTOINS
SL262524	W White	D Diffuser	12 12VDC	14.40W/m	90	22-2200K, 24-2400K, 25-2500K 27-2700K, 30-3000K, 35-3500K 40-4000K, 50-5000K, 65-6500K	01 - Black&Red 22AWG	A - AMP male/female	E - Through Endcaps
			24 24VDC	7.68W/m	90+				
	B Black	O Opal	24 24VDC	5.04W/m	95	22-2200K, 25-2500K, 27-2700K 30-3000K, 35-3500K, 40-4000K 50-5000K, 65-6500K	02 - Black&White 22AWG	M - Molex male/female	B - Through profile end bottom
			36 36VDC	2.40W/m	95+				
	S Silver	C Clear	36 36VDC	5.76W/m	TW	Tunable White - check your executive sales	03 - White PU protected 2 pin	D - DC male/female	S - Through profile side
			48 48VDC	11.52W/m					
				24.00W/m	D2W	Dim To Warm - check your executive sales	04 - 3Pin cable for Tunable white		
				28.80W/m					
				5.18W/m					
				6.00W/m					
			21.60W/m						

RECOMMEND LIGHT SOURCE

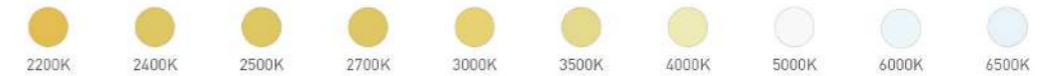
Performance	Part Code	LED QTY	Input Vol.	Power	CRI	Light Source Lumen	Diffuser Lens Lumen	Cutttable Length	Max Run	PCB Width
General	FN-2835T-60	60pcs/m	12/24VDC	14.40 W/m	90+	1440 lm/m	634 lm/m	12V=50mm 24V=100mm	12V=5m 24V=9m	10 mm
					95+	1238 lm/m	545 lm/m			
High Efficiency	FN-H2835T-64	64pcs/m	24VDC	7.68 W/m	90+	1029 lm/m	453 lm/m	125mm	5m	10 mm
					95+	968 lm/m	426 lm/m			
Long Run	FN-H28350-80	80pcs/m	24VDC	14.40W/m	90+	2275 lm/m	1001 lm/m	100mm	4m	10 mm
					95+	2275 lm/m	1001 lm/m			
	LN-2835T-60	60pcs/m	24VDC	5.04 W/m	90+	499 lm/m	220 lm/m	100mm	21m	10mm
					95+	413 lm/m	182 lm/m			
				2.4 W/m	90+	230 lm/m	101 lm/m	100mm	50mm	10 mm
					95+	190 lm/m	84 lm/m			
LN-2835T-56	56pcs/m	48VDC	5.76 W/m	90+	668 lm/m	294 lm/m	250mm	35mm	10 mm	
				95+	553 lm/m	243 lm/m				
Short Cut	FN-F2835A-60	60pcs/m	24VDC	14.4 W/m	90+	1239 lm/m	519 lm/m	33.3mm	5.5mm	10 mm
					95+	979lm/m	431 lm/m			

VERTICAL SURFACE MOUNTED SERIES

► SL262524

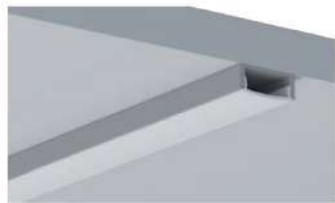
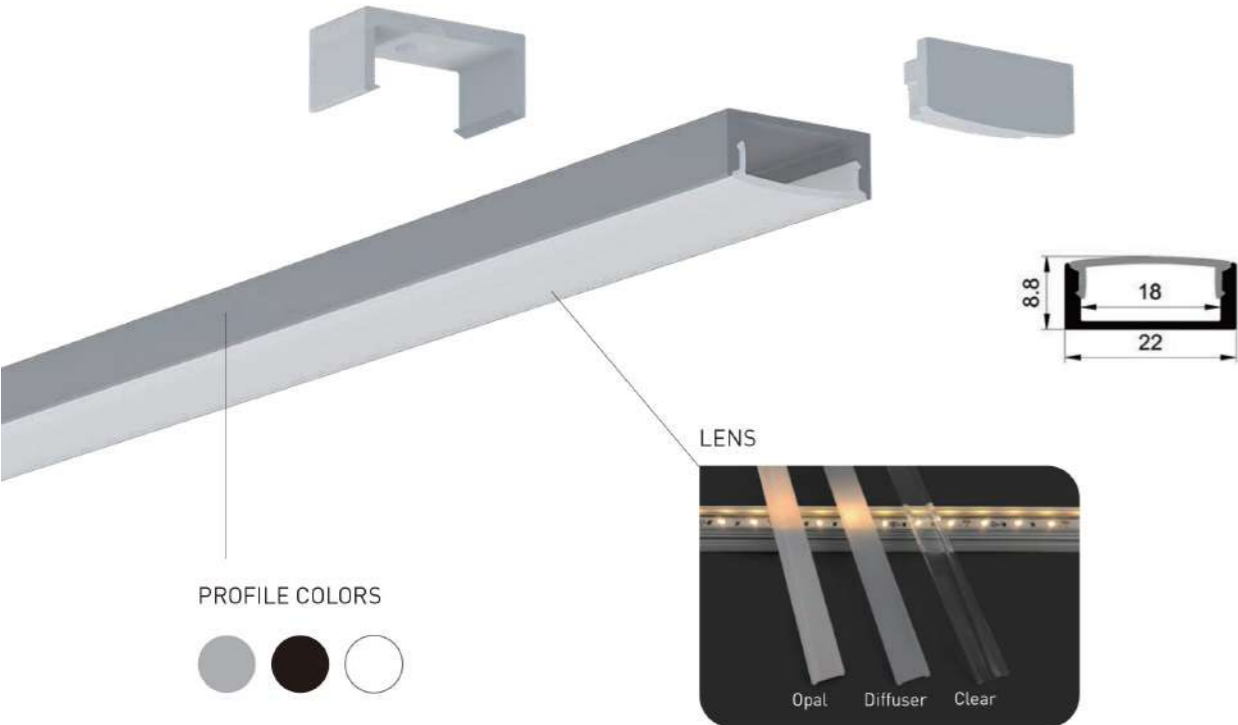
RECOMMEND LIGHT SOURCE

Performance	Part Code	LED QTY	Input Vol.	Power	CRI	Light Source Lumen	Diffuser Lens Lumen	Cutttable Length	Max Run	PCB Width			
General	FN-H2835T-120	120pcs/m	12/24VDC	14.40 W/m	90+	1512 lm/m	665lm/m	12V=50mm 24V=50mm	12V=5m 24V=9m	10 mm			
					95+	1282 lm/m	564lm/m						
High Efficiency	FN-H2835T-128	128pcs/m	12/24VDC	11.52 W/m	90+	1613 lm/m	710lm/m	12V=31.2mm 24V=62.5mm	12V=3m 24V=6m	10 mm			
					95+	1475 lm/m	649lm/m						
	FN-H28350-160	160pcs/m	24VDC	24 W/m	90+	3480 lm/m	1700lm/m	50mm	3m	10 mm			
					95+	3480 lm/m	1700lm/m						
					90+	1987 lm/m	874lm/m				12V=25mm 24V=50mm	12V=3mm 24V=5mm	10 mm
95+	1843 lm/m	811lm/m											
Long Run	LN-H2835T-80	80pcs/m	36VDC	5.18W/m	90+	580 lm/m	255lm/m	100mm	50mm	10 mm			
					95+	482 lm/m	212lm/m						
	LN-H2835T-112	112pcs/m	48VDC	11.52 W/m	90+	1336 lm/m	588lm/m	125mm	25mm	10 mm			
					95+	1106 lm/m	487lm/m						
					90+	588 lm/m	259m/m				50mm	21mm	10 mm
					95+	486 lm/m	214lm/m						
Short Cut	FN-F2835A-120	120pcs/m	24VDC	21.60 W/m	90+	1922 lm/m	846lm/m	16.7mm	3.5mm	10 mm			
					95+	1595 lm/m	702lm/m						



VERTICAL SURFACE MOUNTED SERIES

► SL220818



Installation: Vertical Surface Mounted
 Length Available: 1-3m
 Profile Color: Silver, Black Anodized, White Powder Coating
 Lens: Opal, Diffuser, Clear
 Input Cable: Endcaps, Profile Bottom, Profile Sides
 Quick Female/Male Connectors Input cable & Junction Box available

VERTICAL SURFACE MOUNTED SERIES

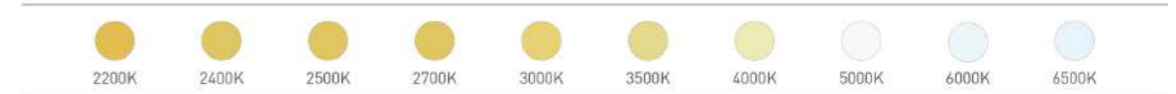
► SL220818

ORDERING CODE

LUMINAIRE	FINISH	LENS	Vol.	Power	Ra	CRI	INSTALL ACCS.	IP GRADE	CONTROL OPTOINS
SL220818	W White	D Diffuser	24 24VDC	12.96W ± 10% 17.28W ± 10%	90 90+	22-2200K , 24-2400K 25-2500K , 27-2700K 30-3000K , 35-3500K 40-4000K , 50-5000K 65-6500K	01 - Black&Red 22AWG 02 - Black&White 22AWG 03 - White PU protected 2 pin 04 - 3Pin cable for Tunable white	A - AMP male/female M - Molex male/female D - DC male/female	E - Through Endcaps B - Through profile end bottom S - Through profile side
	B Black	O Opal				TW Tunable White - check your executive sales			
	S Silver	C Clear				D2W Dim To Warm - check your executive sales			

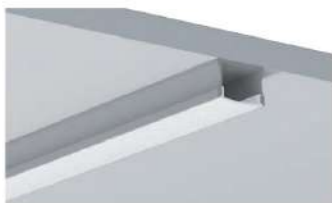
RECOMMEND LIGHT SOURCE

Part Code	LED QTY	Input Vol.	Power	CRI	Light Source Lumen	Diffuser Lens Lumen	Cutttable length	Max Run	PCB Width
FN-2016-180	180pcs/m	24VDC	12.96W ± 10%	90+	1000 lm/m	780 lm/m	33mm	3M	10mm
FN-2016-240	240pcs/m		17.28W ± 10%	90+	1300 lm/m	1014 lm/m	25mm		



VERTICAL SURFACE MOUNTED SERIES

► SL221618



Installation: Vertical Surface Mounted
 Length Available: 1-3m
 Profile Color: Silver, Black Anodized, White Powder Coating
 Lens: Opal, Diffuser, Clear
 Input Cable: Endcaps, Profile Bottom, Profile Sides
 Quick Female/Male Connectors Input cable & Junction Box available

VERTICAL SURFACE MOUNTED SERIES

► SL221618

ORDERING CODE

LUMINAIRE	FINISH	LENS	Vol.	Power	Ra	CRI	INSTALL ACCS.	IP GRADE	CONTROL OPTOINS
SL221618	W White	D Diffuser	12	14.40W/m	90 90+	22-2200K , 24-2400K , 25-2500K 27-2700K , 30-3000K , 35-3500K 40-4000K , 50-5000K , 65-6500K	01 - Black&Red 22AWG 02 - Black&White 22AWG 03 - White PU protected 2 pin 04 - 3Pin cable for Tunable white	A - AMP male/female M - Molex male/female D - DC male/female	E - Through Endcaps B - Through profile end bottom S - Through profile side
			24	11.52W/m					
	B Black	O Opal	24	24.00W/m	95 95+	22-2200K , 25-2500K , 27-2700K 30-3000K , 35-3500K , 40-4000K 50-5000K , 65-6500K			
			36	28.80W/m					
	S Silver	C Clear	48	5.18W/m	TW	Tunable White - check your executive sales			
			48	6.00W/m					
			21.60W/m	D2W	Dim To Warm - check your executive sales				

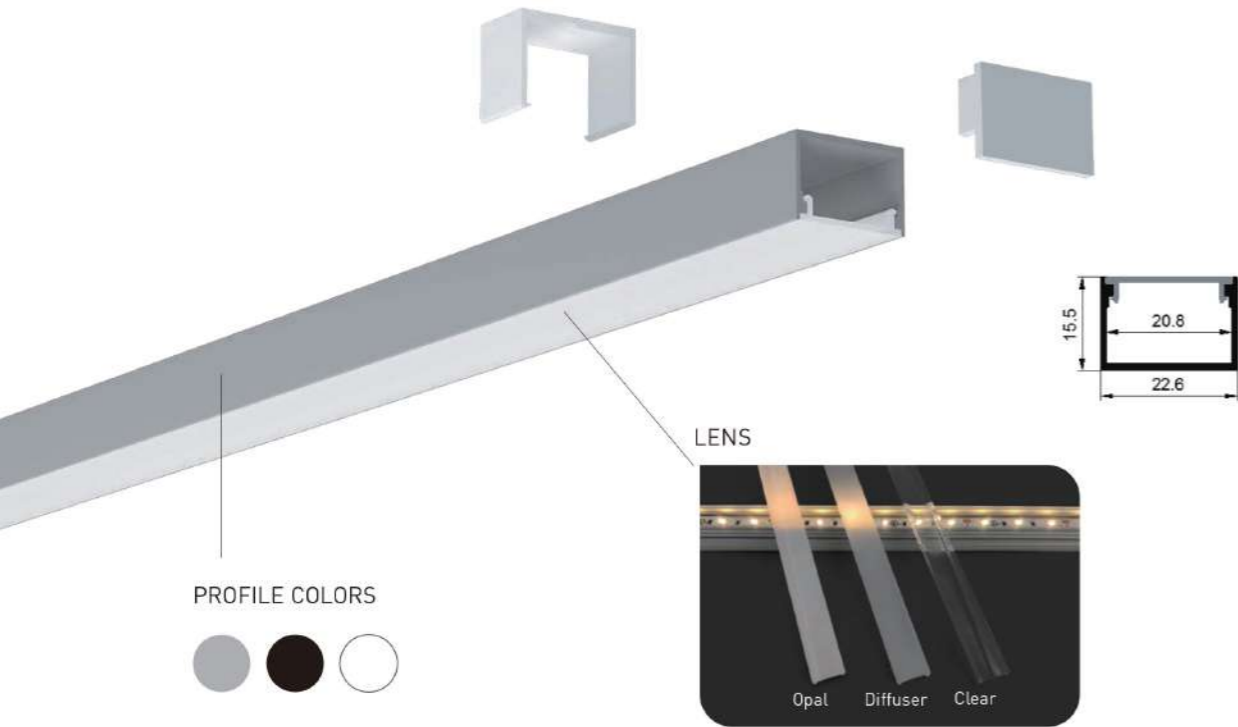
RECOMMEND LIGHT SOURCE

Performance	Part Code	LED QTY	Input Vol.	Power	CRI	Light Source Lumen	Diffuser Lens Lumen	Cuttable Length	Max Run	PCB Width
General	FN-H2835T-120	120pcs/m	12/24VDC	14.40 W/m	90+	1512 lm/m	756lm/m	12V=50mm 24V=50mm	12V=5m 24V=9m	10 mm
					95+	1282 lm/m	641lm/m			
High Efficiency	FN-H2835T-128	128pcs/m	12/24VDC	11.52 W/m	90+	1613 lm/m	807lm/m	12V=31.2mm 24V=62.5mm	12V=3m 24V=6m	10 mm
					95+	1475 lm/m	738lm/m			
	FN-H28350-160	160pcs/m	24VDC	24 W/m	90+	3480 lm/m	1932lm/m	50mm	3m	10 mm
					95+	1843 lm/m	922lm/m			
Long Run	LN-H2835T-80	80pcs/m	36VDC	5.18W/m	90+	580 lm/m	290lm/m	100mm	50mm	10 mm
					95+	482 lm/m	241lm/m			
	LN-H2835T-112	112pcs/m	48VDC	11.52 W/m	90+	1336 lm/m	668lm/m	125mm	25mm	10 mm
					95+	1106 lm/m	553lm/m			
	LN-H2835T-120	120pcs/m	24VDC	6.00 W/m	90+	588 lm/m	294lm/m	50mm	21mm	10 mm
					95+	486 lm/m	243lm/m			
Short Cut	FN-F2835A-120	120pcs/m	24VDC	21.60 W/m	90+	1922 lm/m	961lm/m	16.7mm	3.5mm	10 mm
					95+	1595 lm/m	798lm/m			



VERTICAL SURFACE MOUNTED SERIES

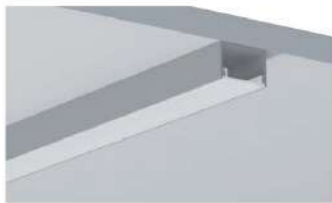
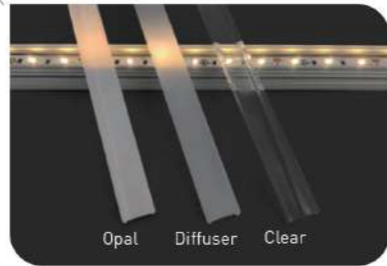
► SL231620



PROFILE COLORS



LENS



Installation: Vertical Surface Mounted
 Length Available: 1-3m
 Profile Color: Silver, Black Anodized, White Powder Coating
 Lens: Opal, Diffuser, Clear
 Input Cable: Endcaps, Profile Bottom, Profile Sides
 Quick Female/Male Connectors Input cable & Junction Box available

VERTICAL SURFACE MOUNTED SERIES

► SL231620

ORDERING CODE

LUMINAIRE	FINISH	LENS	Vol.	Power	Ra	CRI	INSTALL ACCS.	IP GRADE	CONTROL OPTOINS
SL231620	W White	D Diffuser	12 12VDC	14.40W/m	90 90+	22-2200K, 24-2400K, 25-2500K 27-2700K, 30-3000K, 35-3500K 40-4000K, 50-5000K, 65-6500K	01 - Black&Red 22AWG	A - AMP mate/female M - Molex mate/female D - DC mate/female	E - Through Endcaps B - Through profile end bottom S - Through profile side
	B Black	O Opal	24 24VDC	11.52W/m	95 95+	22-2200K, 25-2500K, 27-2700K 30-3000K, 35-3500K, 40-4000K 50-5000K, 65-6500K	02 - Black&White 22AWG		
	S Silver	C Clear	36 36VDC	24.00W/m			03 - White PU protected 2 pin		
			48 48VDC	5.18W/m	TW	Tunable White - check your executive sales	04 - 3Pin cable for Tunable white		
				6.00W/m					
				21.60W/m	D2W	Dim To Warm - check your executive sales			

RECOMMEND LIGHT SOURCE

Performance	Part Code	LED QTY	Input Vol.	Power	CRI	Light Source Lumen	Diffuser Lens Lumen	Cutttable Length	Max Run	PCB Width
General	FN-H2835T-120	120pcs/m	12/24VDC	14.40 W/m	90+	1512 lm/m	756lm/m	12V=50mm	12V=5m	10 mm
					95+	1282 lm/m	641lm/m	24V=50mm	24V=9m	
High Efficiency	FN-H2835T-128	128pcs/m	12/24VDC	11.52 W/m	90+	1613 lm/m	807lm/m	12V=31.2mm	12V=3m	10 mm
					95+	1475 lm/m	738lm/m	24V=62.5mm	24V=6m	
	FN-H28350-160	160pcs/m	24VDC	24 W/m	90+	3480 lm/m	1932lm/m	50mm	3m	10 mm
					95+	1843 lm/m	922lm/m	12V=25mm	12V=3mm	
	FN-H2835T-160	160pcs/m	12/24VDC	14.40 W/m	90+	1987 lm/m	994lm/m	24V=50mm	24V=5mm	10 mm
Long Run	FN-H28350-192	192pcs/m	24VDC	28.8 W/m	90+	4176 lm/m	2318lm/m	41.7mm	2.5m	10 mm
	LN-H2835T-80	80pcs/m	36VDC	5.18W/m	90+	580 lm/m	290lm/m	100mm	50mm	10 mm
					95+	482 lm/m	241lm/m			
Short Cut	FN-F2835A-120	120pcs/m	24VDC	21.60 W/m	90+	1336 lm/m	668lm/m	125mm	25mm	10 mm
					95+	1106 lm/m	553lm/m			
					90+	588 lm/m	294lm/m			
95+	486 lm/m	243lm/m								
Short Cut	FN-F2835A-120	120pcs/m	24VDC	21.60 W/m	90+	1922 lm/m	961lm/m	16.7mm	3.5mm	10 mm
					95+	1595 lm/m	798lm/m			

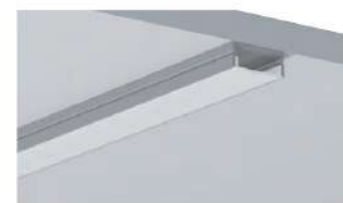


VERTICAL SURFACE MOUNTED SERIES

► SL231020



PROFILE COLORS



Installation: Vertical Surface Mounted
 Length Available: 1-3m
 Profile Color: Silver, Black Anodized, White Powder Coating
 Lens: Opal, Diffuser, Clear
 Input Cable: Endcaps, Profile Bottom, Profile Sides
 Quick Female/Male Connectors Input cable & Junction Box available

VERTICAL SURFACE MOUNTED SERIES

► SL231020

ORDERING CODE

LUMINAIRE	FINISH	LENS	Vol.	Power	Ra	CRI	INSTALL ACCS.	IP GRADE	CONTROL OPTOINS
SL231020	W White	D Diffuser	12 12VDC	14.40W/m	90 90+	22-2200K, 24-2400K, 25-2500K 27-2700K, 30-3000K, 35-3500K 40-4000K, 50-5000K, 65-6500K	01 - Black&Red 22AWG	A - AMP male/female M - Molex male/female D - DC male/female	E - Through Endcaps B - Through profile end bottom S - Through profile side
	B Black	O Opal	24 24VDC	11.52W/m	95 95+	22-2200K, 25-2500K, 27-2700K 30-3000K, 35-3500K, 40-4000K 50-5000K, 65-6500K	02 - Black&White 22AWG		
	S Silver	C Clear	36 36VDC	24.00W/m	TW	Tunable White - check your executive sales	03 - White PU protected 2 pin		
			48 48VDC	28.80W/m	D2W	Dim To Warm - check your executive sales	04 - 3Pin cable for Tunable white		
			5.18W/m	6.00W/m					
			21.60W/m						

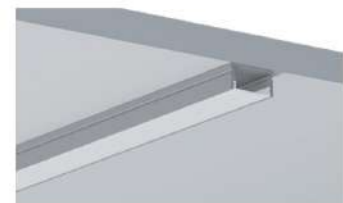
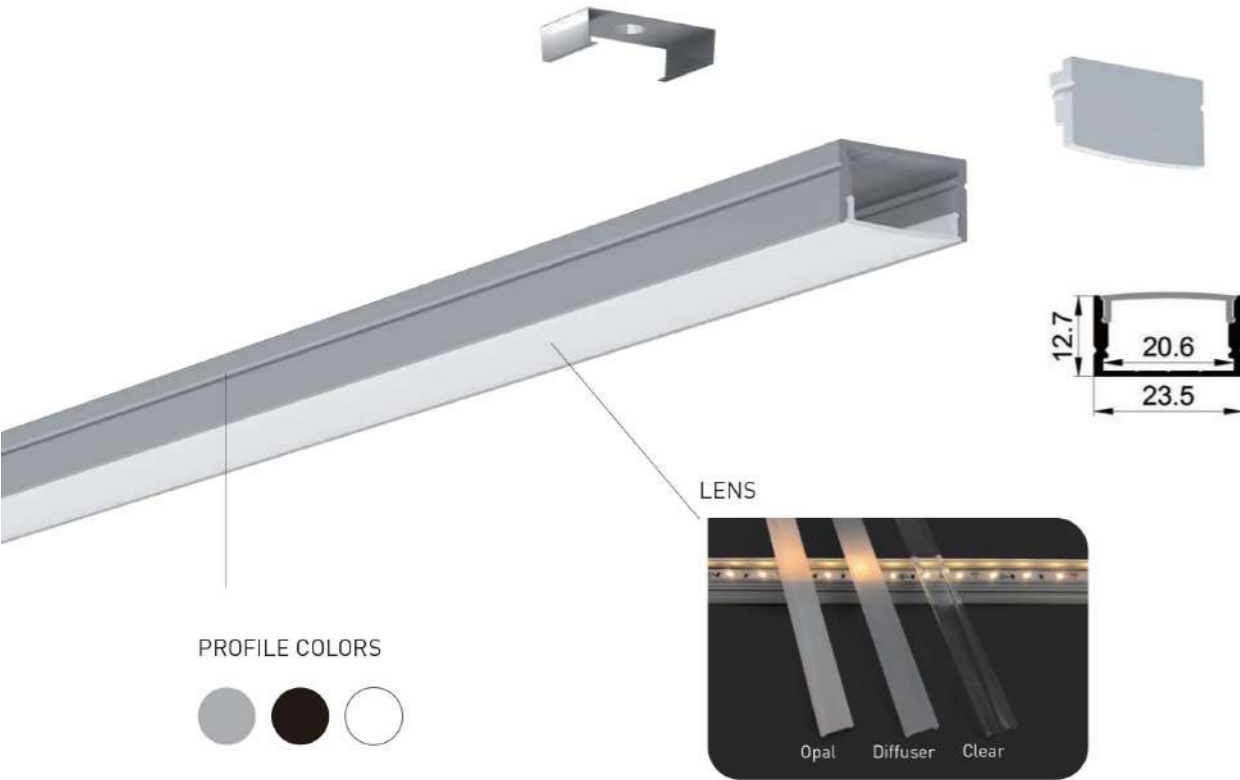
RECOMMEND LIGHT SOURCE

Performance	Part Code	LED QTY	Input Vol.	Power	CRI	Light Source Lumen	Diffuser Lens Lumen	Cutttable Length	Max Run	PCB Width
General	FN-H2835T-120	120pcs/m	12/24VDC	14.40 W/m	90+	1512 lm/m	877lm/m	12V=50mm	12V=5m	10 mm
					95+	1282 lm/m	744lm/m	24V=50mm	24V=9m	
High Efficiency	FN-H2835T-128	128pcs/m	12/24VDC	11.52 W/m	90+	1613 lm/m	936lm/m	12V=31.2mm	12V=3m	10 mm
					95+	1475 lm/m	856lm/m	24V=62.5mm	24V=6m	
	FN-H28350-160	160pcs/m	24VDC	24 W/m	90+	3480 lm/m	2241lm/m	50mm	3m	10 mm
					95+	1987 lm/m	1152lm/m	12V=25mm	12V=3mm	
Long Run	LN-H2835T-160	160pcs/m	12/24VDC	14.40 W/m	90+	1843 lm/m	1069lm/m	24V=50mm	24V=5mm	10 mm
					95+	4176 lm/m	2289lm/m	41.7mm	2.5m	
					90+	580 lm/m	336lm/m	100mm	50mm	
Short Cut	FN-F2835A-120	120pcs/m	24VDC	21.60 W/m	90+	1336 lm/m	779lm/m	125mm	25mm	10 mm
					95+	1106 lm/m	641lm/m	50mm	21mm	
					90+	588 lm/m	341lm/m	50mm	21mm	
					95+	486 lm/m	282lm/m			
					90+	1922 lm/m	1115lm/m	16.7mm	3.5mm	
					95+	1595 lm/m	925lm/m			



VERTICAL SURFACE MOUNTED SERIES

► SL231220



Installation: Vertical Surface Mounted
 Length Available: 1-3m
 Profile Color: Silver, Black Anodized, White Powder Coating
 Lens: Opal, Diffuser, Clear
 Input Cable: Endcaps, Profile Bottom, Profile Sides
 Quick Female/Male Connectors Input cable & Junction Box available

VERTICAL SURFACE MOUNTED SERIES

► SL231220

ORDERING CODE

LUMINAIRE	FINISH	LENS	VoL	Power	Ra	CRI	INSTALL ACCS.	IP GRADE	CONTROL OPTOINS
SL231220	W White	D Diffuser	12 12VDC	14.40W/m	90	22-2200K, 24-2400K, 25-2500K 27-2700K, 30-3000K, 35-3500K 40-4000K, 50-5000K, 65-6500K	01 - Black&Red 22AWG 02 - Black&White 22AWG 03 - White PU protected 2 pin 04 - 3Pin cable for Tunable white	A - AMP male/female M - Molex male/female D - DC male/female	E - Through Endcaps B - Through profile end bottom S - Through profile side
	B Black	O Opal	24 24VDC	11.52W/m	95				
	S Silver	C Clear	36 36VDC	28.80W/m	95+				
			48 48VDC	5.18W/m					
				6.00W/m		TW	Tunable White - check your executive sales		
				21.60W/m		D2W	Dim To Warm - check your executive sales		

RECOMMEND LIGHT SOURCE

Performance	Part Code	LED QTY	Input Vol.	Power	CRI	Light Source Lumen	Diffuser Lens Lumen	Cutttable length	Max Run	PCB Width
General	FN-H2835T-120	120pcs/m	12/24VDC	14.40 W/m	90+	1512 lm/m	877lm/m	12V=50mm	12V=5m	10 mm
					95+	1282 lm/m	744lm/m	24V=50mm	24V=9m	
High Efficiency	FN-H2835T-128	128pcs/m	12/24VDC	11.52 W/m	90+	1613 lm/m	936lm/m	12V=31.2mm	12V=3m	10 mm
					95+	1475 lm/m	856lm/m	24V=62.5mm	24V=6m	
	FN-H28350-160	160pcs/m	24VDC	24 W/m	90+	3480 lm/m	2241lm/m	50mm	3m	10 mm
					95+	1843 lm/m	1069lm/m	12V=25mm	12V=3mm	
Long Run	LN-H2835T-80	80pcs/m	36VDC	5.18W/m	90+	580 lm/m	336lm/m	100mm	50mm	10 mm
					95+	482 lm/m	280lm/m			
	LN-H2835T-112	112pcs/m	48VDC	11.52 W/m	90+	1336 lm/m	779lm/m	125mm	25mm	10 mm
					95+	1106 lm/m	641lm/m			
	LN-H2835T-120	120pcs/m	24VDC	6.00 W/m	90+	588 lm/m	341lm/m	50mm	21mm	10 mm
					95+	486 lm/m	282lm/m			
Short Cut	FN-F2835A-120	120pcs/m	24VDC	21.60 W/m	90+	1922 lm/m	1115lm/m	16.7mm	3.5mm	10 mm
					95+	1595 lm/m	925lm/m			



VERTICAL SURFACE MOUNTED SERIES

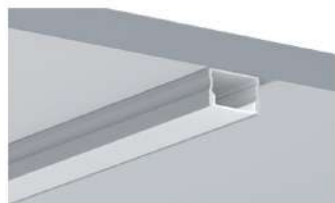
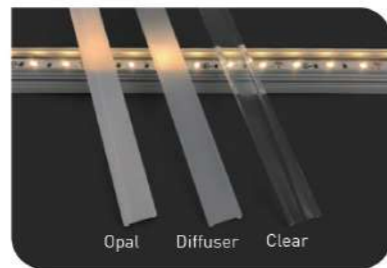
► SL241620



PROFILE COLORS



LENS



Installation: Vertical Surface Mounted
 Length Available: 1-3m
 Profile Color: Silver, Black Anodized, White Powder Coating
 Lens: Opal, Diffuser, Clear
 Input Cable: Endcaps, Profile Bottom, Profile Sides
 Quick Female/Male Connectors Input cable & Junction Box available

VERTICAL SURFACE MOUNTED SERIES

► SL241620

ORDERING CODE

LUMINAIRE	FINISH	LENS	VoL	Power	Ra	CRI	INSTALL ACCS.	IP GRADE	CONTROL OPTOINS
SL241620	W White	D Diffuser	12 12VDC	14.40W/m	90	22-2200K, 24-2400K, 25-2500K 27-2700K, 30-3000K, 35-3500K 40-4000K, 50-5000K, 65-6500K	01 - Black&Red 22AWG 02 - Black&White 22AWG 03 - White PU protected 2 pin 04 - 3Pin cable for Tunable white	A - AMP male/female M - Molex male/female D - DC male/female	E - Through Endcaps B - Through profile end bottom S - Through profile side
	B Black	O Opal	24 24VDC	11.52W/m	95				
	S Silver	C Clear	36 36VDC	24.00W/m	95+	TW Tunable White - check your executive sales			
			48 48VDC	28.80W/m		D2W Dim To Warm - check your executive sales			
			5.18W/m	6.00W/m					
			21.60W/m						

RECOMMEND LIGHT SOURCE

Performance	Part Code	LED QTY	Input Vol.	Power	CRI	Light Source Lumen	Diffuser Lens Lumen	Cutttable length	Max Run	PCB Width
General	FN-H2835T-120	120pcs/m	12/24VDC	14.40 W/m	90+	1512 lm/m	877lm/m	12V=50mm	12V=5m	10 mm
					95+	1282 lm/m	744lm/m	24V=50mm	24V=9m	
High Efficiency	FN-H2835T-128	128pcs/m	12/24VDC	11.52 W/m	90+	1613 lm/m	936lm/m	12V=31.2mm	12V=3m	10 mm
					95+	1475 lm/m	856lm/m	24V=62.5mm	24V=6m	
	FN-H28350-160	160pcs/m	24VDC	24 W/m	90+	3480 lm/m	2241lm/m	50mm	3m	10 mm
					95+	1843 lm/m	1069lm/m	12V=25mm	12V=3mm	
Long Run	FN-H2835T-160	160pcs/m	12/24VDC	14.40 W/m	90+	1987 lm/m	1152lm/m	24V=50mm	24V=5mm	10 mm
					95+	1843 lm/m	1069lm/m	12V=25mm	12V=3mm	
	FN-H28350-192	192pcs/m	24VDC	28.8 W/m	90+	4176 lm/m	2289lm/m	41.7mm	2.5m	10 mm
					95+	482 lm/m	280lm/m	100mm	50mm	
	LN-H2835T-80	80pcs/m	36VDC	5.18W/m	90+	580 lm/m	336lm/m	125mm	25mm	10 mm
					95+	1106 lm/m	641lm/m	50mm	21mm	
LN-H2835T-112	112pcs/m	48VDC	11.52 W/m	90+	1336 lm/m	779lm/m	50mm	21mm	10 mm	
				95+	486 lm/m	282lm/m	16.7mm	3.5mm		
LN-H2835T-120	120pcs/m	24VDC	6.00 W/m	90+	588 lm/m	341lm/m			10 mm	
				95+	486 lm/m	282lm/m				
Short Cut	FN-F2835A-120	120pcs/m	24VDC	21.60 W/m	90+	1922 lm/m	1115lm/m			10 mm
					95+	1595 lm/m	925lm/m			



VERTICAL SURFACE MOUNTED SERIES

► SL251122



PROFILE COLORS



Installation: Vertical Surface Mounted
 Length Available: 1-3m
 Profile Color: Silver, Black Anodized, White Powder Coating
 Lens: Opal, Diffuser, Clear
 Input Cable: Endcaps, Profile Bottom, Profile Sides
 Quick Female/Male Connectors Input cable & Junction Box available

VERTICAL SURFACE MOUNTED SERIES

► SL251122

ORDERING CODE

LUMINAIRE	FINISH	LENS	Vol.	Power	Ra	CRI	INSTALL ACCS.	IP GRADE	CONTROL OPTOINS
SL251122	W White	D Diffuser	12 12VDC	14.40W/m	90 90+	22-2200K, 24-2400K, 25-2500K 27-2700K, 30-3000K, 35-3500K 40-4000K, 50-5000K, 65-6500K	01 - Black&Red 22AWG	A - AMP male/female M - Molex male/female D - DC male/female	E - Through Endcaps B - Through profile end bottom S - Through profile side
	B Black	O Opal	24 24VDC	24.00W/m	95 95+	22-2200K, 25-2500K, 27-2700K 30-3000K, 35-3500K, 40-4000K 50-5000K, 65-6500K	02 - Black&White 22AWG		
	S Silver	C Clear	36 36VDC	28.80W/m	TW	Tunable White - check your executive sales	03 - White PU protected 2 pin		
			48 48VDC	5.18W/m 6.00W/m 21.60W/m	D2W	Dim To Warm - check your executive sales	04 - 3Pin cable for Tunable white		

RECOMMEND LIGHT SOURCE

Performance	Part Code	LED QTY	Input Vol.	Power	CRI	Light Source Lumen	Diffuser Lens Lumen	Cutttable length	Max Run	PCB Width
General	FN-H2835T-120	120pcs/m	12/24VDC	14.40 W/m	90+	1512 lm/m	877lm/m	12V=50mm	12V=5m	10 mm
					95+	1282 lm/m	744lm/m	24V=50mm	24V=9m	
High Efficiency	FN-H2835T-128	128pcs/m	12/24VDC	11.52 W/m	90+	1613 lm/m	936lm/m	12V=31.2mm	12V=3m	10 mm
					95+	1475 lm/m	856lm/m	24V=62.5mm	24V=6m	
	FN-H28350-160	160pcs/m	24VDC	24 W/m	90+	3480 lm/m	2241lm/m	50mm	3m	10 mm
					95+	1843 lm/m	1069lm/m	12V=25mm	12V=3mm	
Long Run	LN-H2835T-80	80pcs/m	36VDC	5.18W/m	90+	580 lm/m	336lm/m	100mm	50mm	10 mm
					95+	482 lm/m	280lm/m			
	LN-H2835T-112	112pcs/m	48VDC	11.52 W/m	90+	1336 lm/m	779lm/m	125mm	25mm	10 mm
					95+	1106 lm/m	641lm/m			
	LN-H2835T-120	120pcs/m	24VDC	6.00 W/m	90+	588 lm/m	341lm/m	50mm	21mm	10 mm
					95+	486 lm/m	282lm/m			
Short Cut	FN-F2835A-120	120pcs/m	24VDC	21.60 W/m	90+	1922 lm/m	1115lm/m	16.7mm	3.5mm	10 mm
					95+	1595 lm/m	925lm/m			



VERTICAL SURFACE MOUNTED SERIES

► SL251622



Installation: Vertical Surface Mounted
 Length Available: 1-3m
 Profile Color: Silver, Black Anodized, White Powder Coating
 Lens: Opal, Diffuser, Clear
 Input Cable: Endcaps, Profile Bottom, Profile Sides
 Quick Female/Male Connectors Input cable & Junction Box available

VERTICAL SURFACE MOUNTED SERIES

► SL251622

ORDERING CODE

LUMINAIRE	FINISH	LENS	Vol.	Power	Ra	CRI	INSTALL ACCS.	IP GRADE	CONTROL OPTOINS
SL251622	W White	D Diffuser	12 12VDC	14.40W/m	90	22-2200K , 24-2400K , 25-2500K 27-2700K , 30-3000K , 35-3500K 40-4000K , 50-5000K , 65-6500K	01 - Black&Red 22AWG 02 - Black&White 22AWG 03 - White PU protected 2 pin 04 - 3Pin cable for Tunable white	A - AMP male/female M - Molex male/female D - DC male/female	E - Through Endcaps B - Through profile end bottom S - Through profile side
	B Black	O Opal	24 24VDC	11.52W/m	90+				
	S Silver	C Clear	36 36VDC	24.00W/m	95	22-2200K , 25-2500K , 27-2700K 30-3000K , 35-3500K , 40-4000K 50-5000K , 65-6500K			
			48 48VDC	28.80W/m	95+				
				5.18W/m	TW	Tunable White - check your executive sales			
				6.00W/m	D2W	Dim To Warm - check your executive sales			
				21.60W/m					

RECOMMEND LIGHT SOURCE

Performance	Part Code	LED QTY	Input Vol.	Power	CRI	Light Source Lumen	Diffuser Lens Lumen	Cutttable length	Max Run	PCB Width
General	FN-H2835T-120	120pcs/m	12/24VDC	14.40 W/m	90+	1512 lm/m	877lm/m	12V=50mm	12V=5m	10 mm
					95+	1282 lm/m	744lm/m	24V=50mm	24V=9m	
High Efficiency	FN-H2835T-128	128pcs/m	12/24VDC	11.52 W/m	90+	1613 lm/m	936lm/m	12V=31.2mm	12V=3m	10 mm
					95+	1475 lm/m	856lm/m	24V=62.5mm	24V=6m	
	FN-H28350-160	160pcs/m	24VDC	24 W/m	90+	3480 lm/m	2241lm/m	50mm	3m	10 mm
					95+	1987 lm/m	1152lm/m	12V=25mm	12V=3mm	
Long Run	FN-H2835T-160	160pcs/m	12/24VDC	14.40 W/m	90+	1843 lm/m	1069lm/m	24V=50mm	24V=5mm	10 mm
					95+	1843 lm/m	1069lm/m			
	FN-H28350-192	192pcs/m	24VDC	28.8 W/m	90+	4176 lm/m	2289lm/m	41.7mm	2.5m	10 mm
					95+	4176 lm/m	2289lm/m			
Short Cut	LN-H2835T-80	80pcs/m	36VDC	5.18W/m	90+	580 lm/m	336lm/m	100mm	50mm	10 mm
					95+	482 lm/m	280lm/m			
	LN-H2835T-112	112pcs/m	48VDC	11.52 W/m	90+	1336 lm/m	779lm/m	125mm	25mm	10 mm
					95+	1106 lm/m	641lm/m			
LN-H2835T-120	120pcs/m	24VDC	6.00 W/m	90+	588 lm/m	341lm/m	50mm	21mm	10 mm	
				95+	486 lm/m	282lm/m				
Short Cut	FN-F2835A-120	120pcs/m	24VDC	21.60 W/m	90+	1922 lm/m	1115lm/m	16.7mm	3.5mm	10 mm
					95+	1595 lm/m	925lm/m			



VERTICAL SURFACE MOUNTED SERIES

► SL261024



VERTICAL SURFACE MOUNTED SERIES

► SL261024

ORDERING CODE

LUMINAIRE	FINISH	LENS	Vol.	Power	Ra	CRI	INSTALL ACCS.	IP GRADE	CONTROL OPTOINS	
SL261024	W White	D Diffuser	24 24VDC	12.96W ± 10%	90 90+	22-2200K , 24-2400K 25-2500K , 27-2700K 30-3000K , 35-3500K 40-4000K , 50-5000K 65-6500K	01 - Black&Red 22AWG 02 - Black&White 22AWG 03 - White PU protected 2 pin 04 - 3Pin cable for Tunable white	A - AMP male/female M - Molex male/female D - DC male/female	E - Through Endcaps B - Through profile end bottom S - Through profile side	
	B Black	O Opal		17.28W ± 10%						TW Tunable White - check your executive sales
	S Silver	C Clear		D2W Dim To Warm - check your executive sales						

RECOMMEND LIGHT SOURCE

Part Code	LED QTY	Input Vol.	Power	CRI	Light Source Lumen	Diffuser Lens Lumen	Cuttable length	Max Run	PCB Width
FN-2016-180	180pcs/m	24VDC	12.96W ± 10%	90+	1000 lm/m	780 lm/m	33mm	3M	10mm
FN-2016-240	240pcs/m		17.28W ± 10%	90+	1300 lm/m	1014 lm/m	25mm		



Installation: Vertical Surface Mounted
 Length Available: 1-3m
 Profile Color: Silver, Black Anodized, White Powder Coating
 Lens: Opal, Diffuser, Clear
 Input Cable: Endcaps, Profile Bottom, Profile Sides
 Quick Female/Male Connectors Input cable & Junction Box available

VERTICAL SURFACE MOUNTED SERIES

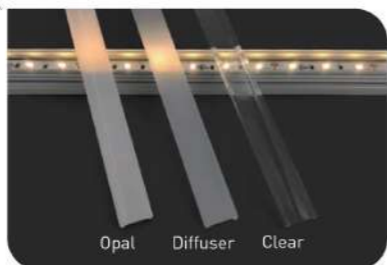
► SL351132



PROFILE COLORS



LENS



Installation: Vertical Surface Mounted
 Length Available: 1-3m
 Profile Color: Silver, Black Anodized, White Powder Coating
 Lens: Opal, Diffuser, Clear
 Input Cable: Endcaps, Profile Bottom, Profile Sides
 Quick Female/Male Connectors Input cable & Junction Box available

VERTICAL SURFACE MOUNTED SERIES

► SL351132

ORDERING CODE

LUMINAIRE	FINISH	LENS	Vol.	Power	Ra	CRI	INSTALL ACCS.	IP GRADE	CONTROL OPTAINS
SL351132	W White	D Diffuser	12 12VDC	28.80W/m	90 90+	22-2200K , 24-2400K , 25-2500K 27-2700K , 30-3000K , 35-3500K 40-4000K , 50-5000K , 65-6500K	01 - Black&Red 22AWG	A - AMP male/female M - Molex male/female D - DC male/female	E - Through Endcaps B - Through profile end bottom S - Through profile side
	B Black	O Opal	24 24VDC	21.60W/m	95 95+	22-2200K , 25-2500K , 27-2700K 30-3000K , 35-3500K , 40-4000K 50-5000K , 65-6500K	02 - Black&White 22AWG		
	S Silver	C Clear		36.00W/m			03 - White PU protected 2 pin		
				43.2W/m			04 - 3Pin cable for Tunable white		
					TW	Tunable White - check your executive sales			
					D2W	Dim To Warm - check your executive sales			

RECOMMEND LIGHT SOURCE

Performance	Part Code	LED QTY	Input Vol.	Power	CRI	Light Source Lumen	Diffuser Lens Lumen	Cuttable length	Max Run	PCB Width
General	FN-H2835T-240	240pcs/m	12/24VDC	28.8 W/m	90+	3024 lm/m	2147 lm/m	12V=25mm 24V=55.56mm	12V=4m 24V=6.5m	14 mm
					95+	2563 lm/m	1820 lm/m			
High Efficiency	FN-H2835-240	240pcs/m	24VDC	21.6 W/m	90+	2981 lm/m	2117 lm/m	33.3mm	7m	14 mm
					95+	2765 lm/m	1963 lm/m			
	FN-H2835O-240	240pcs/m	24VDC	36 W/m	90+	5796 lm/m	4115 lm/m	33.3mm	2.5m	12 mm
					95+	6955 lm/m	4938 lm/m			
	FN-H2835O-288	288pcs/m	24VDC	43.2 W/m	90+	6955 lm/m	4938 lm/m	27.8mm	2m	12 mm

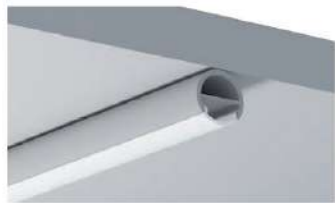


VERTICAL SURFACE MOUNTED SERIES

► SL1212B09



PROFILE COLORS



Installation: Vertical Surface Mounted
 Length Available: 1-3m
 Profile Color: Silver, Black Anodized, White Powder Coating
 Lens: Opal, Diffuser, Clear
 Input Cable: Endcaps, Profile Bottom, Profile Sides
 Quick Female/Male Connectors Input cable & Junction Box available

VERTICAL SURFACE MOUNTED SERIES

► SL1212B09

ORDERING CODE

LUMINAIRE	FINISH	LENS	Vol.	Power/m	Ra	CRI	INSTALL ACCS.	IP GRADE	CONTROL OPTOINS			
SL1212B09	W White	D Diffuser	12 12VDC	9.6W/m	80 80+	27-2700K, 30-3000K, 35-3500K 40-4000K, 50-5000K, 60-6000K 65-6500K	01 - Black&Red 22AWG	A - AMP male/female M - Molex male/female D - DC male/female	E - Through Endcaps B - Through profile end bottom S - Through profile side			
	B Black	O Opal	24 24VDC									
	S Silver	C Clear										
										95 95+	22-2200K, 25-2500K, 27-2700K 30-3000K, 35-3500K, 40-4000K 50-5000K, 65-6500K	03 - White PU protected 2 pin
										TW	Tunable White - check your executive sales	04 - 3Pin cable for Tunable white
			D2W	Dim To Warm - check your executive sales								

RECOMMEND LIGHT SOURCE

Part Code	LED QTY	Input Vol.	Power	CRI	Light Source Lumen	Diffuser Lens Lumen	Cutable length	Max Run	PCB Width
MN-2835A-120	120pcs/m	12/24VDC	9.6 W/m	90+	956 lm/m	373 lm/m	12V=50mm 24V=100mm	12V=3m 24V=5m	4 mm
				95+	793 lm/m	309 lm/m			
MN-2110-238	238pcs/m	24VDC	12.24 W/m	90+	1126 lm/m	439 lm/m	29.4mm	2m	4 mm
				95+	935 lm/m	364 lm/m			



VERTICAL SURFACE MOUNTED SERIES

► SL181811



ACCESSORIES



Rotating Bracket



Installation: Vertical Surface Mounted
 Length Available: 1-3m
 Profile Color: Silver, Black Anodized, White Powder Coating
 Lens: Opal, Diffuser, Clear
 Input Cable: Endcaps, Profile Bottom, Profile Sides
 Quick Female/Male Connectors Input cable & Junction Box available

VERTICAL SURFACE MOUNTED SERIES

► SL181811

ORDERING CODE

LUMINAIRE	FINISH	LENS	Vol.	Power	Ra	CRI	INSTALL ACCS.	IP GRADE	CONTROL OPTOINS
SL181811	W White B Black S Silver	D Diffuser O Opal C Clear	24 24VDC	16.42W±10%	90 90+	22-2200K , 24-2400K 25-2500K , 27-2700K 30-3000K , 35-3500K 40-4000K , 50-5000K 65-6500K	01 - Black&Red 22AWG 02 - Black&White 22AWG 03 - White PU protected 2 pin 04 - 3Pin cable for Tunable white	A - AMP male/female M - Molex male/female D - DC male/female	E - Through Endcaps B - Through profile end bottom S - Through profile side
					TW	Tunable White - check your executive sales			
					D2W	Dim To Warm - check your executive sales			

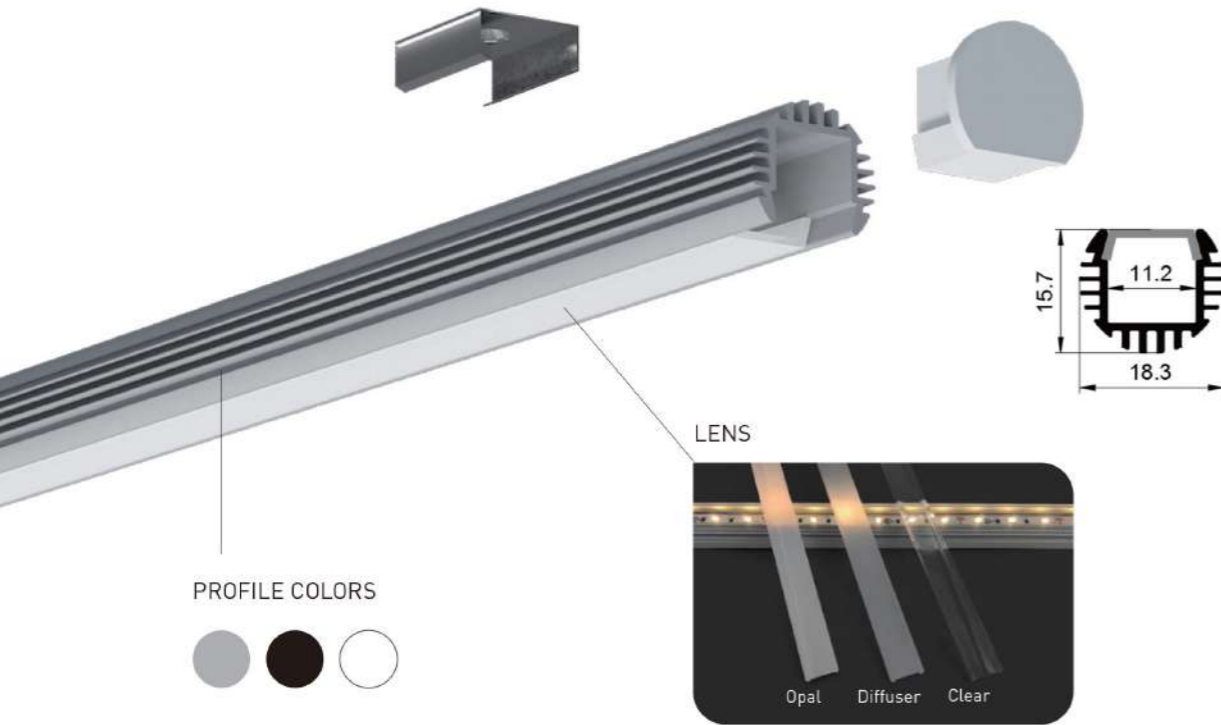
RECOMMEND LIGHT SOURCE

Performance	Part Code	LED QTY	Input Vol.	Power	CRI	Light Source Lumen	Diffuser Lens Lumen	Cutttable length	Max Run	PCB Width
General	FN-2016-266	266pcs/m	24VDC	16.42W ± 10%	90+	1700 lm/m	986 lm/m	26.3mm	3M	10mm



VERTICAL SURFACE MOUNTED SERIES

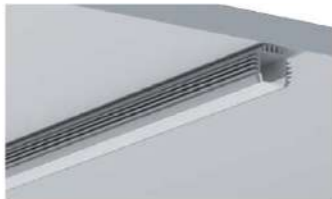
► SL1818B11



ACCESSORIES



Rotating Bracket



Installation: Vertical Surface Mounted
 Length Available: 1-3m
 Profile Color: Silver, Black Anodized, White Powder Coating
 Lens: Opal, Diffuser, Clear
 Input Cable: Endcaps, Profile Bottom, Profile Sides
 Quick Female/Male Connectors Input cable & Junction Box available

VERTICAL SURFACE MOUNTED SERIES

► SL1818B11

ORDERING CODE

LUMINAIRE	FINISH	LENS	Vol.	Power	Ra	CRI	INSTALL ACCS.	IP GRADE	CONTROL OPTOINS
SL1818B11	W White B Black S Silver	D Diffuser O Opal C Clear	24 24VDC	16.42W±10%	90 90+	22-2200K , 24-2400K 25-2500K , 27-2700K 30-3000K , 35-3500K 40-4000K , 50-5000K 65-6500K	01 - Black&Red 22AWG 02 - Black&White 22AWG 03 - White PU protected 2 pin 04 - 3Pin cable for Tunable white	A - AMP male/female M - Molex male/female D - DC male/female	E - Through Endcaps B - Through profile end bottom S - Through profile side
					TW	Tunable White - check your executive sales			
					D2W	Dim To Warm - check your executive sales			

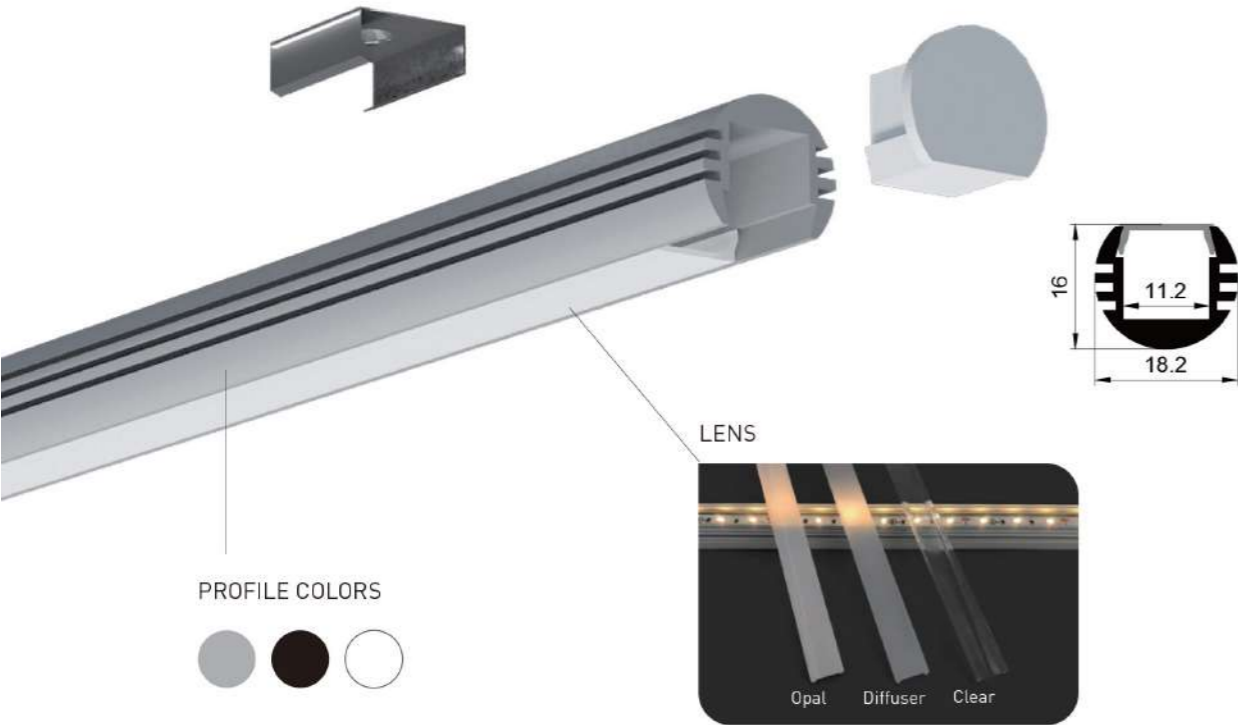
RECOMMEND LIGHT SOURCE

Performance	Part Code	LED QTY	Input Vol.	Power	CRI	Light Source Lumen	Diffuser Lens Lumen	Cutttable length	Max Run	PCB Width
General	FN-2016-266	266pcs/m	24VDC	16.42W ± 10%	90+	1700 lm/m	986 lm/m	26.3mm	3M	10mm



VERTICAL SURFACE MOUNTED SERIES

► SL1818C11



ACCESSORIES



Rotating Bracket



Installation: Vertical Surface Mounted
 Length Available: 1-3m
 Profile Color: Silver, Black Anodized, White Powder Coating
 Lens: Opal, Diffuser, Clear
 Input Cable: Endcaps, Profile Bottom, Profile Sides
 Quick Female/Male Connectors Input cable & Junction Box available

VERTICAL SURFACE MOUNTED SERIES

► SL1818C11

ORDERING CODE

LUMINAIRE	FINISH	LENS	Vol.	Power	Ra	CRI	INSTALL ACCS.	IP GRADE	CONTROL OPTOINS
SL1818C11	W White	D Diffuser	24 24VDC	16.42W±10%	90 90+	22-2200K , 24-2400K 25-2500K , 27-2700K 30-3000K , 35-3500K 40-4000K , 50-5000K 65-6500K	01 - Black&Red 22AWG	A - AMP male/female	E - Through Endcaps
	B Black	O Opal					02 - Black&White 22AWG	M - Molex male/female	B - Through profile end bottom
	S Silver	C Clear				TW Tunable White - check your executive sales	03 - White PU protected 2 pin	D - DC male/female	S - Through profile side
						D2W Dim To Warm - check your executive sales	04 - 3Pin cable for Tunable white		

RECOMMEND LIGHT SOURCE

Performance	Part Code	LED QTY	Input Vol.	Power	CRI	Light Source Lumen	Diffuser Lens Lumen	Cutttable length	Max Run	PCB Width
General	FN-2016-266	266pcs/m	24VDC	16.42W ± 10%	90+	1700 lm/m	986 lm/m	26.3mm	3M	10mm



VERTICAL SURFACE MOUNTED SERIES

► SL1818D11



ACCESSORIES



Pendant Kit



Installation: Vertical Surface Mounted
 Length Available: 1-3m
 Profile Color: Silver, Black Anodized, White Powder Coating
 Lens: Opal, Diffuser, Clear
 Input Cable: Endcaps, Profile Bottom, Profile Sides
 Quick Female/Male Connectors Input cable & Junction Box available

VERTICAL SURFACE MOUNTED SERIES

► SL1818D11

ORDERING CODE

LUMINAIRE	FINISH	LENS	Vol.	Power	Ra	CRI	INSTALL ACCS.	IP GRADE	CONTROL OPTOINS
SL1818D11	W White B Black S Silver	D Diffuser O Opal C Clear	24 24VDC	16.42W±10%	90 90+	22-2200K , 24-2400K 25-2500K , 27-2700K 30-3000K , 35-3500K 40-4000K , 50-5000K 65-6500K	01 - Black&Red 22AWG 02 - Black&White 22AWG 03 - White PU protected 2 pin 04 - 3Pin cable for Tunable white	A - AMP male/female M - Molex male/female D - DC male/female	E - Through Endcaps B - Through profile end bottom S - Through profile side
					TW	Tunable White - check your executive sales			
					D2W	Dim To Warm - check your executive sales			

RECOMMEND LIGHT SOURCE

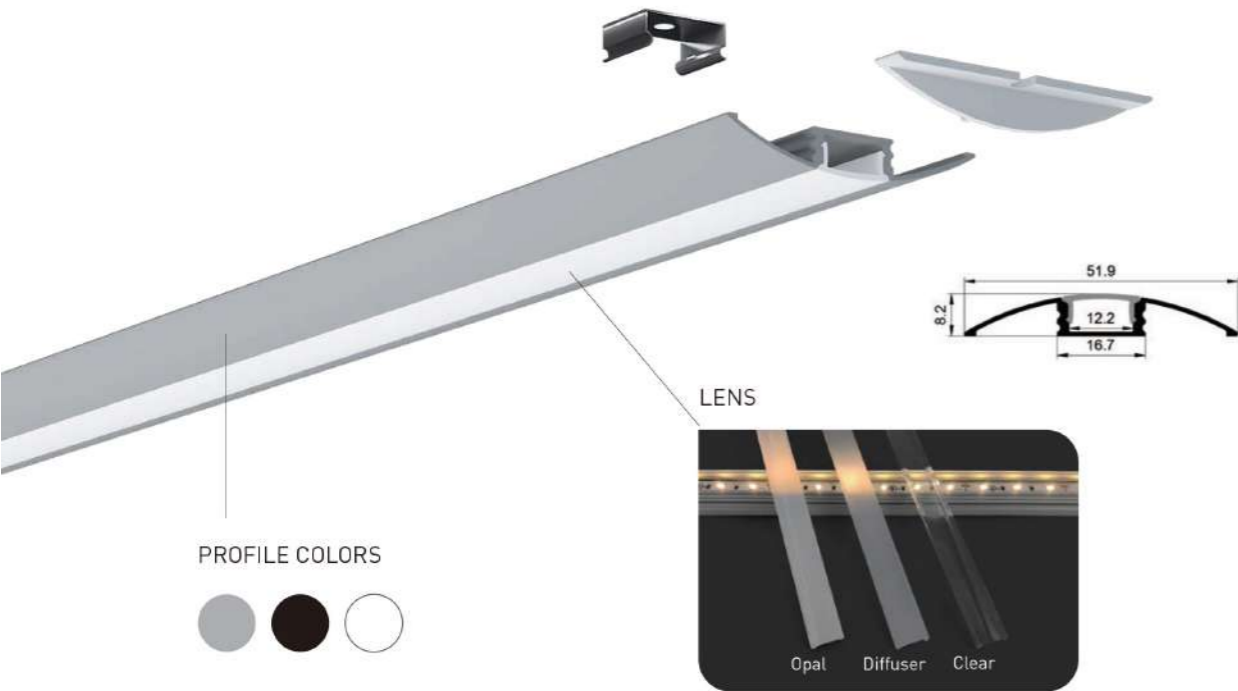
Performance	Part Code	LED QTY	Input Vol.	Power	CRI	Light Source Lumen	Diffuser Lens Lumen	Cutttable length	Max Run	PCB Width
General	FN-2016-266	266pcs/m	24VDC	16.42W ± 10%	90+	1700 lm/m	986 lm/m	26.3mm	3M	10mm



2200K 2400K 2500K 2700K 3000K 3500K 4000K 5000K 6000K 6500K

VERTICAL SURFACE MOUNTED SERIES

► SL520812



Installation: Vertical Surface Mounted
 Length Available: 1-3m
 Profile Color: Silver, Black Anodized, White Powder Coating
 Lens: Opal, Diffuser, Clear
 Input Cable: Endcaps, Profile Bottom, Profile Sides
 Quick Female/Male Connectors Input cable & Junction Box available

VERTICAL SURFACE MOUNTED SERIES

► SL520812

ORDERING CODE

LUMINAIRE	FINISH	LENS	Vol.	Power	Ra	CRI	INSTALL ACCS.	IP GRADE	CONTROL OPTOINS
SL520812	W White B Black S Silver	D Diffuser O Opal C Clear	24 24VDC	16.42W±10%	90 90+	22-2200K , 24-2400K 25-2500K , 27-2700K 30-3000K , 35-3500K 40-4000K , 50-5000K 65-6500K	01 - Black&Red 22AWG 02 - Black&White 22AWG 03 - White PU protected 2 pin 04 - 3Pin cable for Tunable white	A - AMP male/female M - Molex male/female D - DC male/female	E - Through Endcaps B - Through profile end bottom S - Through profile side
						TW	Tunable White - check your executive sales		
						D2W	Dim To Warm - check your executive sales		

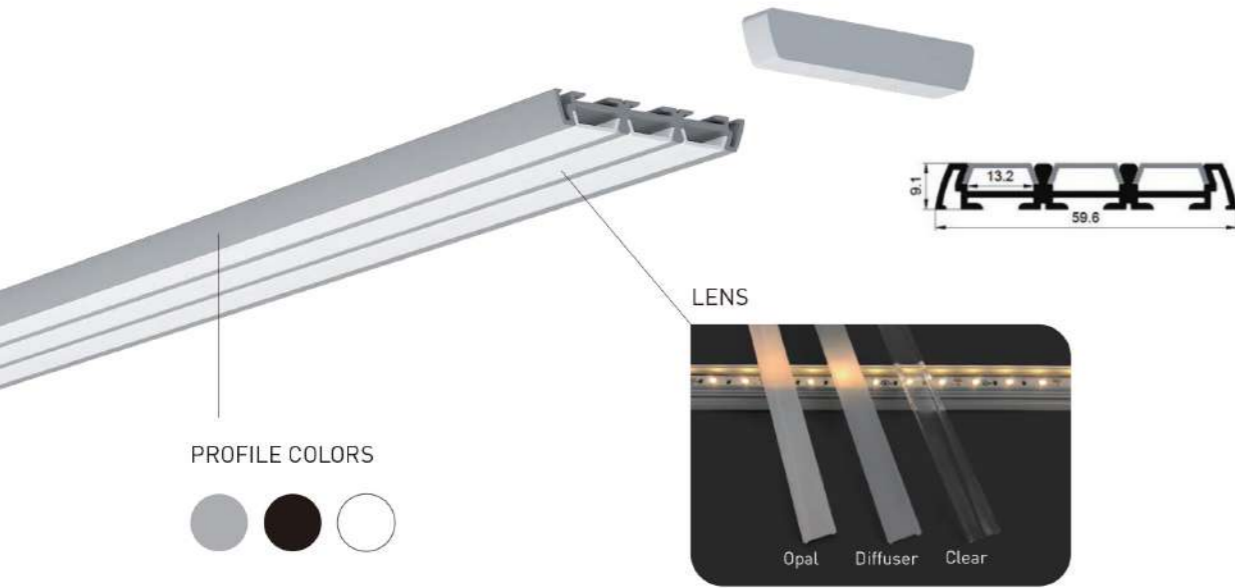
RECOMMEND LIGHT SOURCE

Performance	Part Code	LED QTY	Input Vol.	Power	CRI	Light Source Lumen	Diffuser Lens Lumen	Cutttable length	Max Run	PCB Width
General	FN-2016-266	266pcs/m	24VDC	16.42W ± 10%	90+	1700 lm/m	986 lm/m	26.3mm	3M	10mm



VERTICAL SURFACE MOUNTED SERIES

► SL600913



VERTICAL SURFACE MOUNTED SERIES

► SL600913

ORDERING CODE

LUMINAIRE	FINISH	LENS	Vol.	Power	Ra	CRI	INSTALL ACCS.	IP GRADE	CONTROL OPTOINS
SL600913	W White	D Diffuser	24 24VDC	16.42W±10%	90 90+	22-2200K , 24-2400K 25-2500K , 27-2700K 30-3000K , 35-3500K 40-4000K , 50-5000K 65-6500K	D1 - Black&Red 22AWG	A - AMP male/female	E - Through Endcaps
	B Black	O Opal					D2 - Black&White 22AWG	M - Molex male/female	B - Through profile end bottom
	S Silver	C Clear					D3 - White PU protected 2 pin	D - DC male/female	S - Through profile side
						TW	Tunable White - check your executive sales		
						D2W	Dim To Warm - check your executive sales	D4 - 3Pin cable for Tunable white	

RECOMMEND LIGHT SOURCE

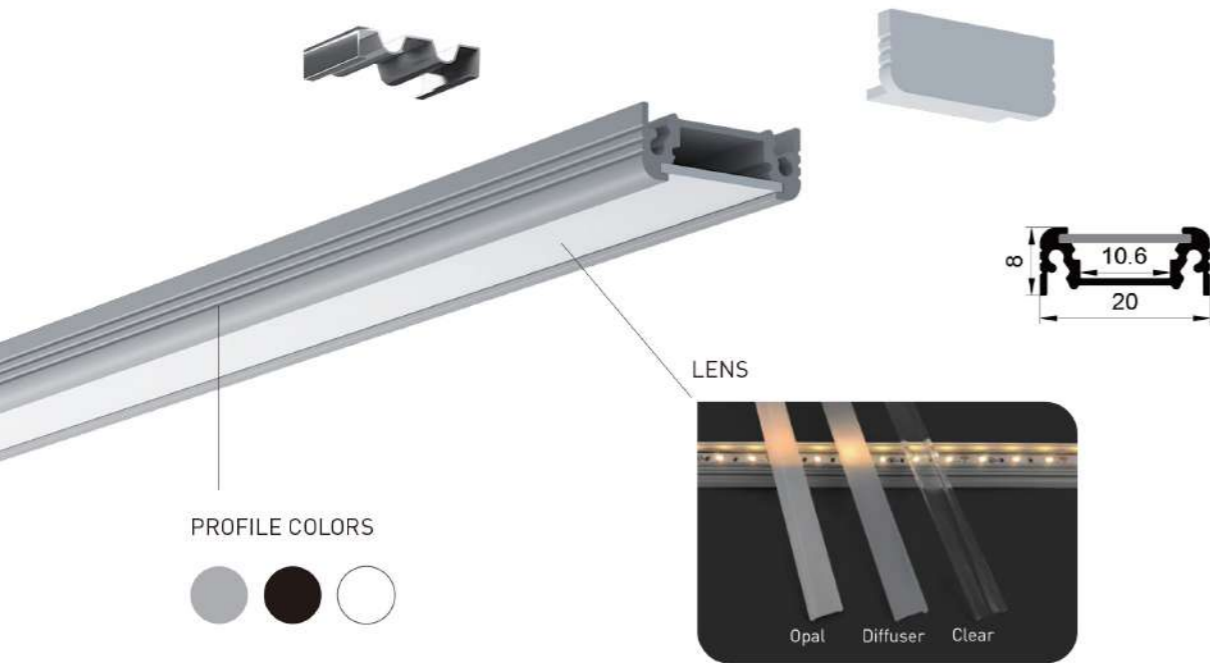
Performance	Part Code	LED QTY	Input Vol.	Power	CRI	Light Source Lumen	Diffuser Lens Lumen	Cutttable length	Max Run	PCB Width
General	FN-2016-266	266pcs/m	24VDC	16.42W ± 10%	90+	1700 lm/m	986 lm/m	26.3mm	3M	10mm



Installation: Verical Surface Mounted
 Length Available: 1-3m
 Profile Color: Silver, Black Anodized, White Powder Coating
 Lens: Opal, Diffuser, Clear
 Input Cable: Endcaps, Profile Bottom, Profile Sides
 Quick Female/Male Connectors Input cable & Junction Box available

VERTICAL SURFACE MOUNTED SERIES

► SL200810



VERTICAL SURFACE MOUNTED SERIES

► SL200810

ORDERING CODE

LUMINAIRE	FINISH	LENS	Vol.	Power	Ra	CRI	INSTALL ACCS.	IP GRADE	CONTROL OPTOINS
SL200810	W White B Black S Silver	D Diffuser O Opal C Clear	24 24VDC	16.42W±10%	90 90+	22-2200K , 24-2400K 25-2500K , 27-2700K 30-3000K , 35-3500K 40-4000K , 50-5000K 65-6500K	D1 - Black&Red 22AWG D2 - Black&White 22AWG D3 - White PU protected 2 pin D4 - 3Pin cable for Tunable white	A - AMP male/female M - Molex male/female D - DC male/female	E - Through Endcaps B - Through profile end bottom S - Through profile side
					TW	Tunable White - check your executive sales			
					D2W	Dim To Warm - check your executive sales			

RECOMMEND LIGHT SOURCE

Performance	Part Code	LED QTY	Input Vol.	Power	CRI	Light Source Lumen	Diffuser Lens Lumen	Cutttable length	Max Run	PCB Width
General	FN-2016-266	266pcs/m	24VDC	16.42W ± 10%	90+	1700 lm/m	986 lm/m	26.3mm	3M	10mm



Installation: Verical Surface Mounted
 Length Available: 1-3m
 Profile Color: Silver, Black Anodized, White Powder Coating
 Lens: Opal, Diffuser, Clear
 Input Cable: Endcaps, Profile Bottom, Profile Sides
 Quick Female/Male Connectors Input cable & Junction Box available

VERTICAL SURFACE MOUNTED SERIES

► SL240914



VERTICAL SURFACE MOUNTED SERIES

► SL240914

ORDERING CODE

LUMINAIRE	FINISH	LENS	Vol.	Power	Ra	CRI	INSTALL ACCS.	IP GRADE	CONTROL OPTOINS
SL240914	W White B Black S Silver	D Diffuser O Opal C Clear	24 24VDC	16.42W±10%	90 90+	22-2200K , 24-2400K 25-2500K , 27-2700K 30-3000K , 35-3500K 40-4000K , 50-5000K 65-6500K	01 - Black&Red 22AWG 02 - Black&White 22AWG 03 - White PU protected 2 pin 04 - 3Pin cable for Tunable white	A - AMP male/female M - Molex male/female D - DC male/female	E - Through Endcaps B - Through profile end bottom S - Through profile side
					TW	Tunable White - check your executive sales			
					D2W	Dim To Warm - check your executive sales			

RECOMMEND LIGHT SOURCE

Performance	Part Code	LED QTY	Input Vol.	Power	CRI	Light Source Lumen	Diffuser Lens Lumen	Cutttable length	Max Run	PCB Width
General	FN-2016-266	266pcs/m	24VDC	16.42W ± 10%	90+	1700 lm/m	986 lm/m	26.3mm	3M	10mm



Installation: Verical Surface Mounted
 Length Available: 1-3m
 Profile Color: Silver, Black Anodized, White Powder Coating
 Lens: Opal, Diffuser, Clear
 Input Cable: Endcaps, Profile Bottom, Profile Sides
 Quick Female/Male Connectors Input cable & Junction Box available

VERTICAL SURFACE MOUNTED SERIES

► SL221712



VERTICAL SURFACE MOUNTED SERIES

► SL221712

ORDERING CODE

LUMINAIRE	FINISH	LENS	Vol.	Power	Ra	CRI	INSTALL ACCS.	IP GRADE	CONTROL OPTOINS
SL221712	W White	D Diffuser	24 24VDC	16.42W±10%	90 90+	22-2200K , 24-2400K 25-2500K , 27-2700K 30-3000K , 35-3500K 40-4000K , 50-5000K 65-6500K	01 - Black&Red 22AWG	A - AMP male/female	E - Through Endcaps
	B Black	O Opal					02 - Black&White 22AWG	M - Molex male/female	B - Through profile end bottom
	S Silver	C Clear				TW Tunable White - check your executive sales	03 - White PU protected 2 pin	D - DC male/female	S - Through profile side
						D2W Dim To Warm - check your executive sales	04 - 3Pin cable for Tunable white		

RECOMMEND LIGHT SOURCE

Performance	Part Code	LED QTY	Input Vol.	Power	CRI	Light Source Lumen	Diffuser Lens Lumen	Cutttable length	Max Run	PCB Width
General	FN-2016-266	266pcs/m	24VDC	16.42W ± 10%	90+	1700 lm/m	986 lm/m	26.3mm	3M	10mm



Installation: Verical Surface Mounted
 Length Available: 1-3m
 Profile Color: Silver, Black Anodized, White Powder Coating
 Lens: Opal, Diffuser, Clear
 Input Cable: Endcaps, Profile Bottom, Profile Sides
 Quick Female/Male Connectors Input cable & Junction Box available