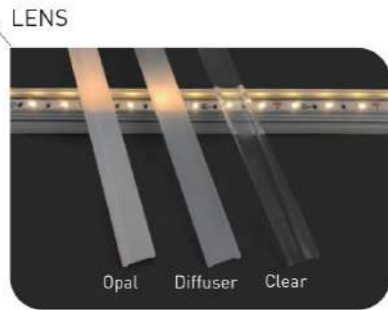


VERTICAL SURFACE MOUNTED - U LENS SERIES

► SL181512



PROFILE COLORS



ACCESSORIES



Rotating Bracket



Installation: Surface Mounted
 Length Available: 1-3m
 Profile Color: Silver, Black Anodized, White Powder Coating
 Lens: Opal, Diffuser, Clear
 Input Cable: Endcaps, Profile Bottom, Profile Sides
 Quick Female/Male Connectors Input cable & Junction Box available

VERTICAL SURFACE MOUNTED - U LENS SERIES

► SL181512

ORDERING CODE

LUMINAIRE	FINISH	LENS	Vol.	Power	Ra	CRI	INSTALL ACCS.	IP GRADE	CONTROL OPTOINS
SL181512	W White	D Diffuser	12	14.40W/m	90 90+	22-2200K, 24-2400K, 25-2500K 27-2700K, 30-3000K, 35-3500K 40-4000K, 50-5000K, 65-6500K	01 - Black&Red 22AWG 02 - Black&White 22AWG 03 - White PU protected 2 pin 04 - 3Pin cable for Tunable white	A - AMP male/female M - Molex male/female D - DC male/female	E - Through Endcaps B - Through profile end bottom S - Through profile side
			12VDC	11.52W/m					
	B Black	O Opal	24	24.00W/m	95 95+	22-2200K, 25-2500K, 27-2700K 30-3000K, 35-3500K, 40-4000K 50-5000K, 65-6500K			
			24VDC	28.80W/m					
	S Silver	C Clear	36	5.18W/m	TW	Tunable White - check your executive sales			
			36VDC	6.00W/m					
48	21.60W/m	D2W	Dim To Warm - check your executive sales						
48VDC									

RECOMMEND LIGHT SOURCE

Performance	Part Code	LED QTY	Input Vol.	Power	CRI	Light Source Lumen	Diffuser Lens Lumen	Cutttable length	Max Run	PCB Width
General	FN-H2835T-120	120pcs/m	12/24VDC	14.40 W/m	90+	1512 lm/m	1074 lm/m	12V=50mm 24V=50mm	12V=5m 24V=9m	10 mm
					95+	1282 lm/m	910 lm/m			
High Efficiency	FN-H2835T-128	128pcs/m	12/24VDC	11.52 W/m	90+	1613 lm/m	1145 lm/m	12V=31.2mm 24V=62.5mm	12V=3m 24V=6m	10 mm
					95+	1475 lm/m	1047 lm/m			
	FN-H28350-160	160pcs/m	24VDC	24 W/m	90+	3480 lm/m	2743 lm/m	50mm	3m	10 mm
					95+	1987 lm/m	1411 lm/m			
Long Run	LN-H2835T-112	112pcs/m	48VDC	11.52 W/m	90+	1336 lm/m	949 lm/m	12V=25mm 24V=50mm	12V=3mm 24V=5mm	10 mm
					95+	1843 lm/m	1309 lm/m			
Short Cut	FN-F2835A-120	120pcs/m	24VDC	21.60 W/m	90+	4176 lm/m	3292 lm/m	41.7mm	2.5m	10 mm
					95+	580 lm/m	412 lm/m	100mm	50mm	10 mm
Long Run	LN-H2835T-120	120pcs/m	24VDC	6.00 W/m	90+	482 lm/m	342 lm/m	125mm	25mm	10 mm
					95+	1106 lm/m	785 lm/m			
Short Cut	FN-F2835A-120	120pcs/m	24VDC	21.60 W/m	90+	588 lm/m	417 lm/m	50mm	21mm	10 mm
					95+	486 lm/m	345 lm/m			
Short Cut	FN-F2835A-120	120pcs/m	24VDC	21.60 W/m	90+	1922 lm/m	1365 lm/m	16.7mm	3.5mm	10 mm
					95+	1595 lm/m	1133 lm/m			



VERTICAL SURFACE MOUNTED - U LENS SERIES

► SL1815C10



PROFILE COLORS



ACCESSORIES



Rotating Bracket



Installation: Surface Mounted
 Length Available: 1-3m
 Profile Color: Silver, Black Anodized, White Powder Coating
 Lens: Opal, Diffuser, Clear
 Input Cable: Endcaps, Profile Bottom, Profile Sides
 Quick Female/Male Connectors Input cable & Junction Box available

VERTICAL SURFACE MOUNTED - U LENS SERIES

► SL1815C10

ORDERING CODE

LUMINAIRE	FINISH	LENS	Vol.	Power	Ra	CRI	INSTALL ACCS.	IP GRADE	CONTROL OPTOINS
SL1815C10	W White	D Diffuser	12 12VDC	14.40W/m	90	22-2200K, 24-2400K, 25-2500K 27-2700K, 30-3000K, 35-3500K 40-4000K, 50-5000K, 65-6500K	01 - Black&Red 22AWG 02 - Black&White 22AWG 03 - White PU protected 2 pin 04 - 3Pin cable for Tunable white	A - AMP male/female M - Molex male/female D - DC male/female	E - Through Endcaps B - Through profile end bottom S - Through profile side
	B Black	O Opal	24 24VDC	11.52W/m	95				
	S Silver	C Clear	36 36VDC	24.00W/m	95+				
			48 48VDC	28.80W/m	TW	Tunable White - check your executive sales			
			5.18W/m	6.00W/m	D2W	Dim To Warm - check your executive sales			
			21.60W/m						

RECOMMEND LIGHT SOURCE

Performance	Part Code	LED QTY	Input Vol.	Power	CRI	Light Source Lumen	Diffuser Lens Lumen	Cuttible length	Max Run	PCB Width
General	FN-H2835T-120	120pcs/m	12/24VDC	14.40 W/m	90+	1512 lm/m	1074 lm/m	12V=50mm	12V=5m	10 mm
					95+	1282 lm/m	910 lm/m	24V=50mm	24V=9m	
High Efficiency	FN-H2835T-128	128pcs/m	12/24VDC	11.52 W/m	90+	1613 lm/m	1145 lm/m	12V=31.2mm	12V=3m	10 mm
					95+	1475 lm/m	1047 lm/m	24V=62.5mm	24V=6m	
	FN-H2835O-160	160pcs/m	24VDC	24 W/m	90+	3480 lm/m	2743 lm/m	50mm	3m	10 mm
					95+	1843 lm/m	1309 lm/m	12V=25mm	12V=3mm	
Long Run	FN-H2835T-160	160pcs/m	12/24VDC	14.40 W/m	90+	1987 lm/m	1411 lm/m	12V=50mm	12V=5mm	10 mm
					95+	1843 lm/m	1309 lm/m	24V=50mm	24V=5mm	
	FN-H2835O-192	192pcs/m	24VDC	28.8 W/m	90+	4176 lm/m	3292 lm/m	41.7mm	2.5m	10 mm
					95+	482 lm/m	342 lm/m	100mm	50mm	
	LN-H2835T-80	80pcs/m	36VDC	5.18W/m	90+	580 lm/m	412 lm/m	125mm	25mm	10 mm
					95+	1106 lm/m	785 lm/m	50mm	21mm	
LN-H2835T-112	112pcs/m	48VDC	11.52 W/m	90+	1336 lm/m	949 lm/m	50mm	21mm	10 mm	
				95+	486 lm/m	345 lm/m	16.7mm	3.5mm		
Short Cut	FN-F2835A-120	120pcs/m	24VDC	21.60 W/m	90+	1922 lm/m	1365 lm/m			10 mm
					95+	1595 lm/m	1133 lm/m			

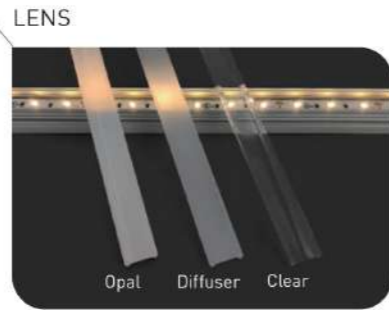


VERTICAL SURFACE MOUNTED - U LENS SERIES

► SL182412



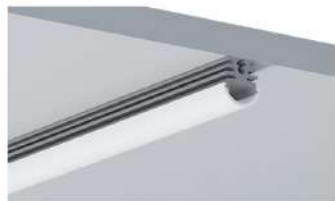
PROFILE COLORS



ACCESSORIES



Rotating Bracket



Installation: Surface Mounted
 Length Available: 1-3m
 Profile Color: Silver, Black Anodized, White Powder Coating
 Lens: Opal, Diffuser, Clear
 Input Cable: Endcaps, Profile Bottom, Profile Sides
 Quick Female/Male Connectors Input cable & Junction Box available

VERTICAL SURFACE MOUNTED - U LENS SERIES

► SL182412

ORDERING CODE

LUMINAIRE	FINISH	LENS	VoL	Power	Ra	CRI	INSTALL ACCS.	IP GRADE	CONTROL OPTOINS
SL182412	W White	D Diffuser	12 12VDC	14.40W/m	90	22-2200K , 24-2400K , 25-2500K 27-2700K , 30-3000K , 35-3500K 40-4000K , 50-5000K , 65-6500K	01 - Black&Red 22AWG	A - AMP male/female	E - Through Endcaps
	B Black	O Opal	24 24VDC	11.52W/m	95				
	S Silver	C Clear	36 36VDC	24.00W/m	95+	22-2200K , 25-2500K , 27-2700K 30-3000K , 35-3500K , 40-4000K 50-5000K , 65-6500K	02 - Black&White 22AWG	M - Molex male/female	B - Through profile end bottom
			48 48VDC	28.80W/m	TW	Tunable White - check your executive sales	03 - White PU protected 2 pin		S - Through profile side
			6.00W/m	D2W	Dim To Warm - check your executive sales		04 - 3Pin cable for Tunable white		
			21.60W/m						

RECOMMEND LIGHT SOURCE

Performance	Part Code	LED QTY	Input Vol.	Power	CRI	Light Source Lumen	Diffuser Lens Lumen	Cuttable length	Max Run	PCB Width
General	FN-H2835T-120	120pcs/m	12/24VDC	14.40 W/m	90+	1512 lm/m	1074 lm/m	12V=50mm	12V=5m	10 mm
					95+	1282 lm/m	910 lm/m	24V=50mm	24V=9m	
High Efficiency	FN-H2835T-128	128pcs/m	12/24VDC	11.52 W/m	90+	1613 lm/m	1145 lm/m	12V=31.2mm	12V=3m	10 mm
					95+	1475 lm/m	1047 lm/m	24V=62.5mm	24V=6m	
	FN-H28350-160	160pcs/m	24VDC	24 W/m	90+	3480 lm/m	2743 lm/m	50mm	3m	10 mm
					95+	1843 lm/m	1309 lm/m	24V=50mm	24V=5mm	
Long Run	LN-H2835T-80	80pcs/m	36VDC	5.18W/m	90+	580 lm/m	412 lm/m	100mm	50mm	10 mm
					95+	482 lm/m	342 lm/m			
	LN-H2835T-112	112pcs/m	48VDC	11.52 W/m	90+	1336 lm/m	949 lm/m	125mm	25mm	10 mm
					95+	1106 lm/m	785 lm/m			
	LN-H2835T-120	120pcs/m	24VDC	6.00 W/m	90+	588 lm/m	417 lm/m	50mm	21mm	10 mm
					95+	486 lm/m	345 lm/m			
Short Cut	FN-F2835A-120	120pcs/m	24VDC	21.60 W/m	90+	1922 lm/m	1365 lm/m	16.7mm	3.5mm	10 mm
					95+	1595 lm/m	1133 lm/m			

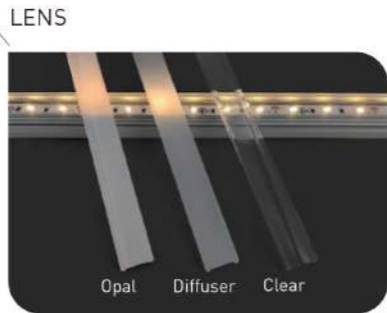


VERTICAL SURFACE MOUNTED - U LENS SERIES

► SL201915



PROFILE COLORS



Installation: Surface Mounted
 Length Available: 1-3m
 Profile Color: Silver, Black Anodized, White Powder Coating
 Lens: Opal, Diffuser, Clear
 Input Cable: Endcaps, Profile Bottom, Profile Sides
 Quick Female/Male Connectors Input cable & Junction Box available

VERTICAL SURFACE MOUNTED - U LENS SERIES

► SL201915

ORDERING CODE

LUMINAIRE	FINISH	LENS	Vol.	Power	Ra	CRI	INSTALL ACCS.	IP GRADE	CONTROL OPTOINS
SL201915	W White	D Diffuser	12 12VDC	14.40W/m	90	22-2200K, 24-2400K, 25-2500K 27-2700K, 30-3000K, 35-3500K 40-4000K, 50-5000K, 65-6500K	01 - Black&Red 22AWG 02 - Black&White 22AWG 03 - White PU protected 2 pin 04 - 3Pin cable for Tunable white	A - AMP male/female M - Molex male/female D - DC male/female	E - Through Endcaps B - Through profile end bottom S - Through profile side
	B Black	O Opal	24 24VDC	11.52W/m	95				
	S Silver	C Clear	36 36VDC	24.00W/m	95+				
			48 48VDC	28.80W/m	TW				
			5.18W/m	6.00W/m		Tunable White - check your executive sales			
			21.60W/m			Dim To Warm - check your executive sales			

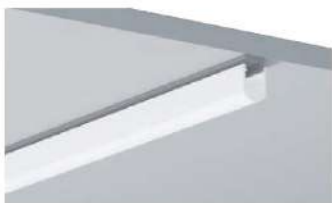
RECOMMEND LIGHT SOURCE

Performance	Part Code	LED QTY	Input Vol.	Power	CRI	Light Source Lumen	Diffuser Lens Lumen	Cuttible length	Max Run	PCB Width
General	FN-H2835T-120	120pcs/m	12/24VDC	14.40 W/m	90+	1512 lm/m	1074 lm/m	12V=50mm	12V=5m	10 mm
					95+	1282 lm/m	910 lm/m	24V=50mm	24V=9m	
High Efficiency	FN-H2835T-128	128pcs/m	12/24VDC	11.52 W/m	90+	1613 lm/m	1145 lm/m	12V=31.2mm	12V=3m	10 mm
					95+	1475 lm/m	1047 lm/m	24V=62.5mm	24V=6m	
	FN-H28350-160	160pcs/m	24VDC	24 W/m	90+	3480 lm/m	2743 lm/m	50mm	3m	10 mm
					95+	1843 lm/m	1309 lm/m	12V=25mm	12V=3mm	
Long Run	LN-H2835T-80	80pcs/m	36VDC	5.18W/m	90+	580 lm/m	412 lm/m	100mm	50mm	10 mm
					95+	482 lm/m	342 lm/m			
	LN-H2835T-112	112pcs/m	48VDC	11.52 W/m	90+	1336 lm/m	949 lm/m	125mm	25mm	10 mm
					95+	1106 lm/m	785 lm/m			
	LN-H2835T-120	120pcs/m	24VDC	6.00 W/m	90+	588 lm/m	417 lm/m	50mm	21mm	10 mm
					95+	486 lm/m	345 lm/m			
Short Cut	FN-F2835A-120	120pcs/m	24VDC	21.60 W/m	90+	1922 lm/m	1365 lm/m	16.7mm	3.5mm	10 mm
					95+	1595 lm/m	1133 lm/m			



VERTICAL SURFACE MOUNTED - U LENS SERIES

► SL183111



Installation: Surface Mounted
 Length Available: 1-3m
 Profile Color: Silver, Black Anodized, White Powder Coating
 Lens: Opal, Diffuser, Clear
 Input Cable: Endcaps, Profile Bottom, Profile Sides
 Quick Female/Male Connectors Input cable & Junction Box available

VERTICAL SURFACE MOUNTED - U LENS SERIES

► SL183111

ORDERING CODE

LUMINAIRE	FINISH	LENS	VoL	Power	Ra	CRI	INSTALL ACCS.	IP GRADE	CONTROL OPTOINS
SL183111	W White	D Diffuser	12	14.40W/m	90	22-2200K, 24-2400K, 25-2500K 27-2700K, 30-3000K, 35-3500K 40-4000K, 50-5000K, 65-6500K	01 - Black&Red 22AWG	A - AMP male/female	E - Through Endcaps
			12VDC	7.68W/m					
			24	5.04W/m					
	B Black	O Opal	24	5.04W/m	95	22-2200K, 25-2500K, 27-2700K 30-3000K, 35-3500K, 40-4000K 50-5000K, 65-6500K	02 - Black&White 22AWG	M - Molex male/female	B - Through profile end bottom
			24VDC	2.40W/m					
	S Silver	C Clear	36	2.40W/m	95+	Tunable White - check your executive sales	03 - White PU protected 2 pin	D - DC male/female	S - Through profile side
			36VDC	5.76W/m					
			48	11.52W/m					
				48	11.52W/m				
				48VDC	24.00W/m				
					28.80W/m				
					5.18W/m				
				6.00W/m					
				21.60W/m					

RECOMMEND LIGHT SOURCE

Performance	Part Code	LED QTY	Input Vol.	Power	CRI	Light Source Lumen	Diffuser Lens Lumen	Cutttable Length	Max Run	PCB Width
General	FN-2835T-60	60pcs/m	12/24VDC	14.40 W/m	90+	1440 lm/m	1022 lm/m	12V=50mm 24V=100mm	12V=5m 24V=9m	10 mm
					95+	1238 lm/m	879 lm/m			
High Efficiency	FN-H2835T-64	64pcs/m	24VDC	7.68 W/m	90+	1029 lm/m	731 lm/m	125mm	5m	10 mm
					95+	968 lm/m	687 lm/m			
	FN-H2835O-80	80pcs/m	24VDC	14.40W/m	90+	2275 lm/m	1615 lm/m	100mm	4m	10 mm
Long Run	LN-2835T-60	60pcs/m	24VDC	5.04 W/m	90+	499 lm/m	354 lm/m	100mm	21m	10mm
					95+	413 lm/m	293 lm/m			
				2.4 W/m	90+	230 lm/m	163 lm/m	100mm	50mm	10 mm
					95+	190 lm/m	135 lm/m			
	LN-2835T-56	56pcs/m	48VDC	5.76 W/m	90+	668 lm/m	474 lm/m	250mm	35mm	10 mm
				95+	553 lm/m	393 lm/m				
Short Cut	FN-F2835A-60	60pcs/m	24VDC	14.4 W/m	90+	1239 lm/m	838 lm/m	33.3mm	5.5mm	10 mm
					95+	979lm/m	695 lm/m			

VERTICAL SURFACE MOUNTED - U LENS SERIES

► SL183111

RECOMMEND LIGHT SOURCE

Performance	Part Code	LED QTY	Input Vol.	Power	CRI	Light Source Lumen	Diffuser Lens Lumen	Cuttable Length	Max Run	PCB Width
General	FN-H2835T-120	120pcs/m	12/24VDC	14.40 W/m	90+	1512 lm/m	1074 lm/m	12V=50mm 24V=50mm	12V=5m 24V=9m	10 mm
					95+	1282 lm/m	910 lm/m			
High Efficiency	FN-H2835T-128	128pcs/m	12/24VDC	11.52 W/m	90+	1613 lm/m	1145 lm/m	12V=31.2mm 24V=62.5mm	12V=3m 24V=6m	10 mm
					95+	1475 lm/m	1047 lm/m			
	FN-H28350-160	160pcs/m	24VDC	24 W/m	90+	3480 lm/m	2743 lm/m	50mm	3m	10 mm
					95+	1987 lm/m	1411 lm/m	12V=25mm 24V=50mm	12V=3mm 24V=5mm	
FN-H2835T-160	160pcs/m	12/24VDC	14.40 W/m	90+	1987 lm/m	1411 lm/m	12V=25mm 24V=50mm	12V=3mm 24V=5mm	10 mm	
				95+	1843 lm/m	1309 lm/m				
FN-H28350-192	192pcs/m	24VDC	28.8 W/m	90+	4176 lm/m	3292 lm/m	41.7mm	2.5m	10 mm	
				95+	482 lm/m	342 lm/m				
Long Run	LN-H2835T-80	80pcs/m	36VDC	5.18W/m	90+	580 lm/m	412 lm/m	100mm	50mm	10 mm
					95+	482 lm/m	342 lm/m			
	LN-H2835T-112	112pcs/m	48VDC	11.52 W/m	90+	1336 lm/m	949 lm/m	125mm	25mm	10 mm
					95+	1106 lm/m	785 lm/m			
LN-H2835T-120	120pcs/m	24VDC	6.00 W/m	90+	588 lm/m	417 lm/m	50mm	21mm	10 mm	
				95+	486 lm/m	345 lm/m				
Short Cut	FN-F2835A-120	120pcs/m	24VDC	21.60 W/m	90+	1922 lm/m	1365 lm/m	16.7mm	3.5mm	10 mm
					95+	1595 lm/m	1133 lm/m			



VERTICAL SURFACE MOUNTED - U LENS SERIES

► SL201616



Installation: Surface Mounted
 Length Available: 1-3m
 Profile Color: Silver, Black Anodized, White Powder Coating
 Lens: Opal, Diffuser, Clear
 Input Cable: Endcaps, Profile Bottom, Profile Sides
 Quick Female/Male Connectors Input cable & Junction Box available

VERTICAL SURFACE MOUNTED - U LENS SERIES

► SL201616

ORDERING CODE

LUMINAIRE	FINISH	LENS	Vol.	Power	Ra	CRI	INSTALL ACCS.	IP GRADE	CONTROL OPTOINS			
SL201616	W White	D Diffuser	12 12VDC	14.40W/m	90	22-2200K, 24-2400K, 25-2500K 27-2700K, 30-3000K, 35-3500K 40-4000K, 50-5000K, 65-6500K	01 - Black&Red 22AWG 02 - Black&White 22AWG 03 - White PU protected 2 pin 04 - 3Pin cable for Tunable white	A - AMP male/female M - Molex male/female D - DC male/female	E - Through Endcaps			
			24 24VDC	7.68W/m	95							
	B Black	O Opal	24 24VDC	5.04W/m	95	22-2200K, 25-2500K, 27-2700K 30-3000K, 35-3500K, 40-4000K 50-5000K, 65-6500K				TW	Tunable White - check your executive sales	B - Through profile end bottom
			36 36VDC	2.40W/m	95+							
	S Silver	C Clear	48 48VDC	5.76W/m	D2W	Dim To Warm - check your executive sales						S - Through profile side
				11.52W/m								
				24.00W/m								
				28.80W/m								
				5.18W/m								
				6.00W/m								
			21.60W/m									

RECOMMEND LIGHT SOURCE

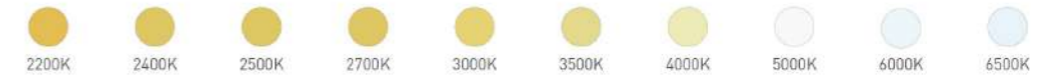
Performance	Part Code	LED QTY	Input Vol.	Power	CRI	Light Source Lumen	Diffuser Lens Lumen	Cutttable Length	Max Run	PCB Width				
General	FN-2835T-60	60pcs/m	12/24VDC	14.40 W/m	90+	1440 lm/m	1022 lm/m	12V=50mm 24V=100mm	12V=5m 24V=9m	10 mm				
					95+	1238 lm/m	879 lm/m							
High Efficiency	FN-H2835T-64	64pcs/m	24VDC	7.68 W/m	90+	1029 lm/m	731 lm/m	125mm	5m	10 mm				
					95+	968 lm/m	687 lm/m							
Long Run	LN-2835T-60	60pcs/m	24VDC	5.04 W/m	90+	499 lm/m	354 lm/m	100mm	21m	10mm				
					95+	413 lm/m	293 lm/m							
				2.4 W/m	90+	230 lm/m	163 lm/m	100mm	50mm	10 mm				
					95+	190 lm/m	135 lm/m							
					5.76 W/m	90+	668 lm/m				474 lm/m	250mm	35mm	10 mm
						95+	553 lm/m				393 lm/m			
Short Cut	FN-F2835A-60	60pcs/m	24VDC	14.4 W/m	90+	1239 lm/m	838 lm/m	33.3mm	5.5mm	10 mm				
					95+	979lm/m	695 lm/m							

VERTICAL SURFACE MOUNTED - U LENS SERIES

► SL201616

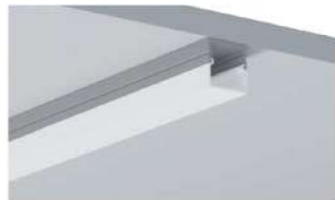
RECOMMEND LIGHT SOURCE

Performance	Part Code	LED QTY	Input Vol.	Power	CRI	Light Source Lumen	Diffuser Lens Lumen	Cutttable Length	Max Run	PCB Width							
General	FN-H2835T-120	120pcs/m	12/24VDC	14.40 W/m	90+	1512 lm/m	1074 lm/m	12V=50mm 24V=50mm	12V=5m 24V=9m	10 mm							
					95+	1282 lm/m	910 lm/m										
High Efficiency	FN-H2835T-128	128pcs/m	12/24VDC	11.52 W/m	90+	1613 lm/m	1145 lm/m	12V=31,2mm 24V=62,5mm	12V=3m 24V=6m	10 mm							
					95+	1475 lm/m	1047 lm/m										
	FN-H28350-160	160pcs/m	24VDC	24 W/m	90+	3480 lm/m	2743 lm/m	50mm	3m	10 mm							
					FN-H2835T-160	160pcs/m	12/24VDC				14.40 W/m	90+	1987 lm/m	1411 lm/m	12V=25mm 24V=50mm	12V=3mm 24V=5mm	10 mm
												95+	1843 lm/m	1309 lm/m			
Long Run	LN-H2835T-80	80pcs/m	36VDC	5.18W/m	90+	580 lm/m	412 lm/m	100mm	50mm	10 mm							
					95+	482 lm/m	342 lm/m										
	LN-H2835T-112	112pcs/m	48VDC	11.52 W/m	90+	1336 lm/m	949 lm/m	125mm	25mm	10 mm							
					95+	1106 lm/m	785 lm/m										
					LN-H2835T-120	120pcs/m	24VDC				6.00 W/m	90+	588 lm/m	417 lm/m	50mm	21mm	10 mm
												95+	486 lm/m	345 lm/m			
Short Cut	FN-F2835A-120	120pcs/m	24VDC	21.60 W/m	90+	1922 lm/m	1365 lm/m	16.7mm	3.5mm	10 mm							
					95+	1595 lm/m	1133 lm/m										



VERTICAL SURFACE MOUNTED - U LENS SERIES

► SL2016B16



Installation: Surface Mounted
 Length Available: 1-3m
 Profile Color: Silver, Black Anodized, White Powder Coating
 Lens: Opal, Diffuser, Clear
 Input Cable: Endcaps, Profile Bottom, Profile Sides
 Quick Female/Male Connectors Input cable & Junction Box available

VERTICAL SURFACE MOUNTED - U LENS SERIES

► SL2016B16

ORDERING CODE

LUMINAIRE	FINISH	LENS	VoL	Power	Ra	CRI	INSTALL ACCS.	IP GRADE	CONTROL OPTOINS
SL2016B16	W White	D Diffuser	12 12VDC	14.40W/m	90 90+	22-2200K , 24-2400K , 25-2500K 27-2700K , 30-3000K , 35-3500K 40-4000K , 50-5000K , 65-6500K	01 - Black&Red 22AWG 02 - Black&White 22AWG 03 - White PU protected 2 pin 04 - 3Pin cable for Tunable white	A - AMP male/female M - Molex male/female D - DC male/female	E - Through Endcaps B - Through profile end bottom S - Through profile side
			24 24VDC	7.68W/m					
	B Black	O Opal	36 36VDC	5.04W/m	95 95+	22-2200K , 25-2500K , 27-2700K 30-3000K , 35-3500K , 40-4000K 50-5000K , 65-6500K			
			48 48VDC	2.40W/m					
	S Silver	C Clear	5.76W/m	11.52W/m	TW	Tunable White - check your executive sales			
			24.00W/m	28.80W/m					
	5.18W/m	6.00W/m	D2W	Dim To Warm - check your executive sales					
	21.60W/m								

RECOMMEND LIGHT SOURCE

Performance	Part Code	LED QTY	Input Vol.	Power	CRI	Light Source Lumen	Diffuser Lens Lumen	Cuttable length	Max Run	PCB Width
General	FN-2835T-60	60pcs/m	12/24VDC	14.40 W/m	90+	1440 lm/m	1022 lm/m	12V=50mm 24V=100mm	12V=5m 24V=9m	10 mm
					95+	1238 lm/m	879 lm/m			
High Efficiency	FN-H2835T-64	64pcs/m	24VDC	7.68 W/m	90+	1029 lm/m	731 lm/m	125mm	5m	10 mm
					95+	968 lm/m	687 lm/m			
Long Run	LN-2835T-60	60pcs/m	24VDC	5.04 W/m	90+	499 lm/m	354 lm/m	100mm	21m	10mm
					95+	413 lm/m	293 lm/m			
					2.4 W/m	90+	230 lm/m			
	LN-2835T-56	56pcs/m	48VDC	5.76 W/m	90+	668 lm/m	474 lm/m	250mm	35mm	10 mm
					95+	553 lm/m	393 lm/m			
					90+	1239 lm/m	838 lm/m			
Short Cut	FN-F2835A-60	60pcs/m	24VDC	14.4 W/m	90+	1239 lm/m	838 lm/m	33.3mm	5.5mm	10 mm
					95+	979lm/m	695 lm/m			

VERTICAL SURFACE MOUNTED - U LENS SERIES

► SL2016B16

RECOMMEND LIGHT SOURCE

Performance	Part Code	LED QTY	Input Vol.	Power	CRI	Light Source Lumen	Diffuser Lens Lumen	Cuttable Length	Max Run	PCB Width
General	FN-H2835T-120	120pcs/m	12/24VDC	14.40 W/m	90+	1512 lm/m	1074 lm/m	12V=50mm 24V=50mm	12V=5m 24V=9m	10 mm
					95+	1282 lm/m	910 lm/m			
High Efficiency	FN-H2835T-128	128pcs/m	12/24VDC	11.52 W/m	90+	1613 lm/m	1145 lm/m	12V=31.2mm 24V=62.5mm	12V=3m 24V=6m	10 mm
	95+	1475 lm/m	1047 lm/m							
	FN-H28350-160	160pcs/m	24VDC	24 W/m	90+	3480 lm/m	2743 lm/m	50mm	3m	10 mm
	95+	1987 lm/m	1411 lm/m							
FN-H2835T-160	160pcs/m	12/24VDC	14.40 W/m	90+	1987 lm/m	1411 lm/m	12V=25mm 24V=50mm	12V=3m 24V=5mm	10 mm	
95+	1843 lm/m	1309 lm/m								
FN-H28350-192	192pcs/m	24VDC	28.8 W/m	90+	4176 lm/m	3292 lm/m	41.7mm	2.5m	10 mm	
Long Run	LN-H2835T-80	80pcs/m	36VDC	5.18W/m	90+	580 lm/m	412 lm/m	100mm	50mm	10 mm
					95+	482 lm/m	342 lm/m			
	LN-H2835T-112	112pcs/m	48VDC	11.52 W/m	90+	1336 lm/m	949 lm/m	125mm	25mm	10 mm
					95+	1106 lm/m	785 lm/m			
	LN-H2835T-120	120pcs/m	24VDC	6.00 W/m	90+	588 lm/m	417 lm/m	50mm	21mm	10 mm
					95+	486 lm/m	345 lm/m			
Short Cut	FN-F2835A-120	120pcs/m	24VDC	21.60 W/m	90+	1922 lm/m	1365 lm/m	16.7mm	3.5mm	10 mm
					95+	1595 lm/m	1133 lm/m			



VERTICAL SURFACE MOUNTED - U LENS SERIES

► SL2114B16



Installation: Surface Mounted
 Length Available: 1-3m
 Profile Color: Silver, Black Anodized, White Powder Coating
 Lens: Opal, Diffuser, Clear
 Input Cable: Endcaps, Profile Bottom, Profile Sides
 Quick Female/Male Connectors Input cable & Junction Box available

VERTICAL SURFACE MOUNTED - U LENS SERIES

► SL2114B16

ORDERING CODE

LUMINAIRE	FINISH	LENS	Vol.	Power	Ra	CRI	INSTALL ACCS.	IP GRADE	CONTROL OPTOINS
SL2114B16	W White	D Diffuser	12 12VDC	14.40W/m	90	22-2200K, 24-2400K, 25-2500K 27-2700K, 30-3000K, 35-3500K 40-4000K, 50-5000K, 65-6500K	01 - Black&Red 22AWG	A - AMP male/female	E - Through Endcaps
			24 24VDC	7.68W/m	90+				
	B Black	O Opal	24 24VDC	5.04W/m	95	22-2200K, 25-2500K, 27-2700K 30-3000K, 35-3500K, 40-4000K 50-5000K, 65-6500K	02 - Black&White 22AWG	M - Molex male/female	B - Through profile end bottom
			36 36VDC	2.40W/m	95+				
	S Silver	C Clear	48 48VDC	5.76W/m	TW	Tunable White - check your executive sales	03 - White PU protected 2 pin	D - DC male/female	S - Through profile side
			24.00W/m	D2W					
	28.80W/m	04 - 3Pin cable for Tunable white							
	5.18W/m								
	6.00W/m								
	21.60W/m								

RECOMMEND LIGHT SOURCE

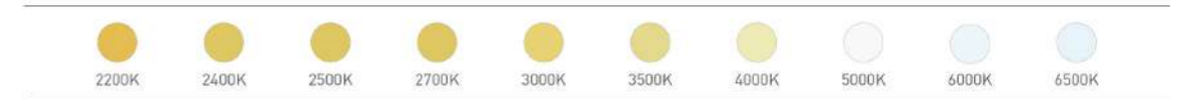
Performance	Part Code	LED QTY	Input Vol.	Power	CRI	Light Source Lumen	Diffuser Lens Lumen	Cutttable Length	Max Run	PCB Width			
General	FN-2835T-60	60pcs/m	12/24VDC	14.40 W/m	90+	1440 lm/m	1022 lm/m	12V=50mm 24V=100mm	12V=5m 24V=9m	10 mm			
					95+	1238 lm/m	879 lm/m						
High Efficiency	FN-H2835T-64	64pcs/m	24VDC	7.68 W/m	90+	1029 lm/m	731 lm/m	125mm	5m	10 mm			
					95+	968 lm/m	687 lm/m						
Long Run	LN-2835T-60	60pcs/m	24VDC	5.04 W/m	90+	499 lm/m	354 lm/m	100mm	21m	10mm			
					95+	413 lm/m	293 lm/m						
				2.4 W/m	90+	230 lm/m	163 lm/m	100mm	50mm	10 mm			
					95+	190 lm/m	135 lm/m						
				5.76 W/m	LN-2835T-56	56pcs/m	48VDC	90+	668 lm/m	474 lm/m	250mm	35mm	10 mm
								95+	553 lm/m	393 lm/m			
Short Cut	FN-F2835A-60	60pcs/m	24VDC	14.4 W/m	90+	1239 lm/m	838 lm/m	33.3mm	5.5mm	10 mm			
					95+	979lm/m	695 lm/m						

VERTICAL SURFACE MOUNTED - U LENS SERIES

► SL2114B16

RECOMMEND LIGHT SOURCE

Performance	Part Code	LED QTY	Input Vol.	Power	CRI	Light Source Lumen	Diffuser Lens Lumen	Cutttable Length	Max Run	PCB Width							
General	FN-H2835T-120	120pcs/m	12/24VDC	14.40 W/m	90+	1512 lm/m	1074 lm/m	12V=50mm 24V=50mm	12V=5m 24V=9m	10 mm							
					95+	1282 lm/m	910 lm/m										
High Efficiency	FN-H2835T-128	128pcs/m	12/24VDC	11.52 W/m	90+	1613 lm/m	1145 lm/m	12V=31,2mm 24V=62,5mm	12V=3m 24V=6m	10 mm							
					95+	1475 lm/m	1047 lm/m										
	FN-H28350-160	160pcs/m	24VDC	24 W/m	90+	3480 lm/m	2743 lm/m	50mm	3m	10 mm							
					FN-H2835T-160	160pcs/m	12/24VDC				14.40 W/m	90+	1987 lm/m	1411 lm/m	12V=25mm 24V=50mm	12V=3mm 24V=5mm	10 mm
												95+	1843 lm/m	1309 lm/m			
Long Run	LN-H2835T-80	80pcs/m	36VDC	5.18W/m	90+	580 lm/m	412 lm/m	100mm	50mm	10 mm							
					95+	482 lm/m	342 lm/m										
	LN-H2835T-112	112pcs/m	48VDC	11.52 W/m	90+	1336 lm/m	949 lm/m	125mm	25mm	10 mm							
					95+	1106 lm/m	785 lm/m										
	LN-H2835T-120	120pcs/m	24VDC	6.00 W/m	90+	588 lm/m	417 lm/m	50mm	21mm	10 mm							
					95+	486 lm/m	345 lm/m										
Short Cut	FN-F2835A-120	120pcs/m	24VDC	21.60 W/m	90+	1922 lm/m	1365 lm/m	16.7mm	3.5mm	10 mm							
					95+	1595 lm/m	1133 lm/m										



VERTICAL SURFACE MOUNTED - U LENS SERIES

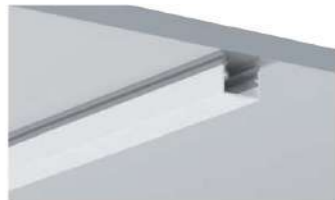
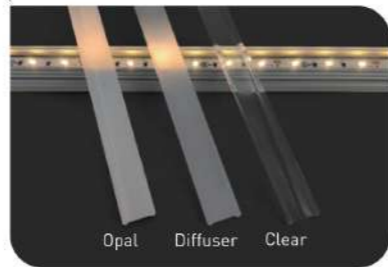
► SL211416



PROFILE COLORS



LENS



Installation: Surface Mounted
 Length Available: 1-3m
 Profile Color: Silver, Black Anodized, White Powder Coating
 Lens: Opal, Diffuser, Clear
 Input Cable: Endcaps, Profile Bottom, Profile Sides
 Quick Female/Male Connectors Input cable & Junction Box available

VERTICAL SURFACE MOUNTED - U LENS SERIES

► SL211416

ORDERING CODE

LUMINAIRE	FINISH	LENS	VoL	Power	Ra	CRI	INSTALL ACCS.	IP GRADE	CONTROL OPTOINS
SL211416	W White	D Diffuser	12 12VDC	14.40W/m	90 90+	22-2200K , 24-2400K , 25-2500K 27-2700K , 30-3000K , 35-3500K 40-4000K , 50-5000K , 65-6500K	01 - Black&Red 22AWG 02 - Black&White 22AWG 03 - White PU protected 2 pin 04 - 3Pin cable for Tunable white	A - AMP male/female M - Molex male/female D - DC male/female	E - Through Endcaps B - Through profile end bottom S - Through profile side
			24 24VDC	7.68W/m					
	B Black	O Opal	24 24VDC	5.04W/m	95 95+	22-2200K , 25-2500K , 27-2700K 30-3000K , 35-3500K , 40-4000K 50-5000K , 65-6500K			
			36 36VDC	2.40W/m					
	S Silver	C Clear	48 48VDC	5.76W/m	TW	Tunable White - check your executive sales			
			48 48VDC	11.52W/m					
				24.00W/m	D2W	Dim To Warm - check your executive sales			
				28.80W/m					
				5.18W/m					
				6.00W/m					
			21.60W/m						

RECOMMEND LIGHT SOURCE

Performance	Part Code	LED QTY	Input Vol.	Power	CRI	Light Source Lumen	Diffuser Lens Lumen	Cutttable length	Max Run	PCB Width
General	FN-2835T-60	60pcs/m	12/24VDC	14.40 W/m	90+	1440 lm/m	1022 lm/m	12V=50mm 24V=100mm	12V=5m 24V=9m	10 mm
					95+	1238 lm/m	879 lm/m			
High Efficiency	FN-H2835T-64	64pcs/m	24VDC	7.68 W/m	90+	1029 lm/m	731 lm/m	125mm	5m	10 mm
					95+	968 lm/m	687 lm/m			
	FN-H2835O-80	80pcs/m	24VDC	14.40W/m	90+	2275 lm/m	1615 lm/m	100mm	4m	10 mm
Long Run	LN-2835T-60	60pcs/m	24VDC	5.04 W/m	90+	499 lm/m	354 lm/m	100mm	21m	10mm
					95+	413 lm/m	293 lm/m			
	LN-2835T-56	56pcs/m	48VDC	5.76 W/m	90+	668 lm/m	474 lm/m	250mm	35mm	10 mm
					95+	553 lm/m	393 lm/m			
Short Cut	FN-F2835A-60	60pcs/m	24VDC	14.4 W/m	90+	1239 lm/m	838 lm/m	33.3mm	5.5mm	10 mm
					95+	979lm/m	695 lm/m			

VERTICAL SURFACE MOUNTED - U LENS SERIES

► SL211416

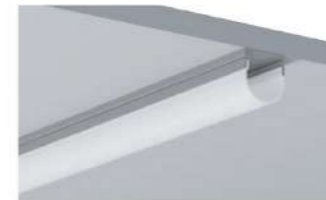
RECOMMEND LIGHT SOURCE

Performance	Part Code	LED QTY	Input Vol.	Power	CRI	Light Source Lumen	Diffuser Lens Lumen	Cuttable Length	Max Run	PCB Width
General	FN-H2835T-120	120pcs/m	12/24VDC	14.40 W/m	90+	1512 lm/m	1074 lm/m	12V=50mm 24V=50mm	12V=5m 24V=9m	10 mm
					95+	1282 lm/m	910 lm/m			
High Efficiency	FN-H2835T-128	128pcs/m	12/24VDC	11.52 W/m	90+	1613 lm/m	1145 lm/m	12V=31.2mm 24V=62.5mm	12V=3m 24V=6m	10 mm
	FN-H28350-160	160pcs/m	24VDC	24 W/m	90+	3480 lm/m	2743 lm/m	50mm	3m	
					95+	1475 lm/m	1047 lm/m			
	FN-H2835T-160	160pcs/m	12/24VDC	14.40 W/m	90+	1987 lm/m	1411 lm/m	12V=25mm 24V=50mm	12V=3mm 24V=5mm	10 mm
	FN-H28350-192	192pcs/m	24VDC	28.8 W/m	90+	4176 lm/m	3292 lm/m	41.7mm	2.5m	
95+					1843 lm/m	1309 lm/m				
Long Run	LN-H2835T-80	80pcs/m	36VDC	5.18W/m	90+	580 lm/m	412 lm/m	100mm	50mm	10 mm
					95+	482 lm/m	342 lm/m			
	LN-H2835T-112	112pcs/m	48VDC	11.52 W/m	90+	1336 lm/m	949 lm/m	125mm	25mm	
					95+	1106 lm/m	785 lm/m			
	LN-H2835T-120	120pcs/m	24VDC	6.00 W/m	90+	588 lm/m	417 lm/m	50mm	21mm	
					95+	486 lm/m	345 lm/m			
Short Cut	FN-F2835A-120	120pcs/m	24VDC	21.60 W/m	90+	1922 lm/m	1365 lm/m	16.7mm	3.5mm	
					95+	1595 lm/m	1133 lm/m			



VERTICAL SURFACE MOUNTED - U LENS SERIES

► SL232620



Installation: Surface Mounted
 Length Available: 1-3m
 Profile Color: Silver, Black Anodized, White Powder Coating
 Lens: Opal, Diffuser, Clear
 Input Cable: Endcaps, Profile Bottom, Profile Sides
 Quick Female/Male Connectors Input cable & Junction Box available

VERTICAL SURFACE MOUNTED - U LENS SERIES

► SL232620

ORDERING CODE

LUMINAIRE	FINISH	LENS	Vol.	Power	Ra	CRI	INSTALL ACCS.	IP GRADE	CONTROL OPTOINS
SL232620	W White	D Diffuser	12 12VDC	14.40W/m	90	22-2200K, 24-2400K, 25-2500K 27-2700K, 30-3000K, 35-3500K 40-4000K, 50-5000K, 65-6500K	01 - Black&Red 22AWG	A - AMP male/female	E - Through Endcaps
			24 24VDC	7.68W/m	90+				
	B Black	O Opal	24 24VDC	5.04W/m	95	22-2200K, 25-2500K, 27-2700K 30-3000K, 35-3500K, 40-4000K 50-5000K, 65-6500K	02 - Black&White 22AWG	M - Molex male/female	B - Through profile end bottom
			36 36VDC	2.40W/m	95+				
	S Silver	C Clear	48 48VDC	5.76W/m	TW	Tunable White - check your executive sales	03 - White PU protected 2 pin	D - DC male/female	S - Through profile side
			24.00W/m						
	28.80W/m	D2W	Dim To Warm - check your executive sales	04 - 3Pin cable for Tunable white					
	5.18W/m								
	6.00W/m								
	21.60W/m								

RECOMMEND LIGHT SOURCE

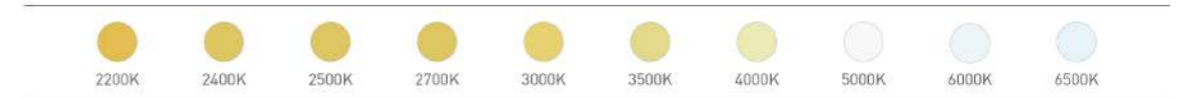
Performance	Part Code	LED QTY	Input Vol.	Power	CRI	Light Source Lumen	Diffuser Lens Lumen	Cutttable Length	Max Run	PCB Width
General	FN-2835T-60	60pcs/m	12/24VDC	14.40 W/m	90+	1440 lm/m	1022 lm/m	12V=50mm 24V=100mm	12V=5m 24V=9m	10 mm
					95+	1238 lm/m	879 lm/m			
High Efficiency	FN-H2835T-64	64pcs/m	24VDC	7.68 W/m	90+	1029 lm/m	731 lm/m	125mm	5m	10 mm
					95+	968 lm/m	687 lm/m			
Long Run	FN-H28350-80	80pcs/m	24VDC	14.40W/m	90+	2275 lm/m	1615 lm/m	100mm	4m	10 mm
					95+	2275 lm/m	1615 lm/m			
				5.04 W/m	90+	499 lm/m	354 lm/m	100mm	21m	10mm
					95+	413 lm/m	293 lm/m			
				2.4 W/m	90+	230 lm/m	163 lm/m	100mm	50mm	10 mm
					95+	190 lm/m	135 lm/m			
5.76 W/m	LN-2835T-60	60pcs/m	24VDC	90+	499 lm/m	354 lm/m	100mm	21m	10mm	
				95+	413 lm/m	293 lm/m				
5.76 W/m	LN-2835T-56	56pcs/m	48VDC	90+	668 lm/m	474 lm/m	250mm	35mm	10 mm	
				95+	553 lm/m	393 lm/m				
Short Cut	FN-F2835A-60	60pcs/m	24VDC	14.4 W/m	90+	1239 lm/m	838 lm/m	33.3mm	5.5mm	10 mm
					95+	979lm/m	695 lm/m			

VERTICAL SURFACE MOUNTED - U LENS SERIES

► SL232620

RECOMMEND LIGHT SOURCE

Performance	Part Code	LED QTY	Input Vol.	Power	CRI	Light Source Lumen	Diffuser Lens Lumen	Cutttable Length	Max Run	PCB Width							
General	FN-H2835T-120	120pcs/m	12/24VDC	14.40 W/m	90+	1512 lm/m	1074 lm/m	12V=50mm 24V=50mm	12V=5m 24V=9m	10 mm							
					95+	1282 lm/m	910 lm/m										
High Efficiency	FN-H2835T-128	128pcs/m	12/24VDC	11.52 W/m	90+	1613 lm/m	1145 lm/m	12V=31,2mm 24V=62,5mm	12V=3m 24V=6m	10 mm							
					95+	1475 lm/m	1047 lm/m										
	FN-H28350-160	160pcs/m	24VDC	24 W/m	90+	3480 lm/m	2743 lm/m	50mm	3m	10 mm							
					FN-H2835T-160	160pcs/m	12/24VDC				14.40 W/m	90+	1987 lm/m	1411 lm/m	12V=25mm 24V=50mm	12V=3mm 24V=5mm	10 mm
												95+	1843 lm/m	1309 lm/m			
Long Run	LN-H2835T-80	80pcs/m	36VDC	5.18W/m	90+	580 lm/m	412 lm/m	100mm	50mm	10 mm							
					95+	482 lm/m	342 lm/m										
	LN-H2835T-112	112pcs/m	48VDC	11.52 W/m	90+	1336 lm/m	949 lm/m	125mm	25mm	10 mm							
					95+	1106 lm/m	785 lm/m										
	LN-H2835T-120	120pcs/m	24VDC	6.00 W/m	90+	588 lm/m	417 lm/m	50mm	21mm	10 mm							
					95+	486 lm/m	345 lm/m										
Short Cut	FN-F2835A-120	120pcs/m	24VDC	21.60 W/m	90+	1922 lm/m	1365 lm/m	16.7mm	3.5mm	10 mm							
					95+	1595 lm/m	1133 lm/m										



VERTICAL SURFACE MOUNTED - U LENS SERIES

► SL2019B15



Installation: Surface Mounted
 Length Available: 1-3m
 Profile Color: Silver, Black Anodized, White Powder Coating
 Lens: Opal, Diffuser, Clear
 Input Cable: Endcaps, Profile Bottom, Profile Sides
 Quick Female/Male Connectors Input cable & Junction Box available

VERTICAL SURFACE MOUNTED - U LENS SERIES

► SL2019B15

ORDERING CODE

LUMINAIRE	FINISH	LENS	VoL	Power	Ra	CRI	INSTALL ACCS.	IP GRADE	CONTROL OPTOINS
SL2019B15	W White	D Diffuser	12 12VDC	14.40W/m	90 90+	22-2200K , 24-2400K , 25-2500K 27-2700K , 30-3000K , 35-3500K 40-4000K , 50-5000K , 65-6500K	01 - Black&Red 22AWG	A - AMP male/female	E - Through Endcaps
			24 24VDC	7.68W/m					
	B Black	O Opal	24 24VDC	5.04W/m	95 95+	22-2200K , 25-2500K , 27-2700K 30-3000K , 35-3500K , 40-4000K 50-5000K , 65-6500K	02 - Black&White 22AWG	M - Molex male/female	B - Through profile end bottom
			36 36VDC	2.40W/m					
	S Silver	C Clear	48 48VDC	5.76W/m	TW	Tunable White - check your executive sales	03 - White PU protected 2 pin	D - DC male/female	S - Through profile side
			24.00W/m						
				28.80W/m	D2W	Dim To Warm - check your executive sales	04 - 3Pin cable for Tunable white		
				5.18W/m					
				6.00W/m					
				21.60W/m					

RECOMMEND LIGHT SOURCE

Performance	Part Code	LED QTY	Input Vol.	Power	CRI	Light Source Lumen	Diffuser Lens Lumen	Cutttable Length	Max Run	PCB Width
General	FN-2835T-60	60pcs/m	12/24VDC	14.40 W/m	90+	1440 lm/m	1022 lm/m	12V=50mm 24V=100mm	12V=5m 24V=9m	10 mm
					95+	1238 lm/m	879 lm/m			
High Efficiency	FN-H2835T-64	64pcs/m	24VDC	7.68 W/m	90+	1029 lm/m	731 lm/m	125mm	5m	10 mm
					95+	968 lm/m	687 lm/m			
	FN-H2835O-80	80pcs/m	24VDC	14.40W/m	90+	2275 lm/m	1615 lm/m	100mm	4m	10 mm
Long Run	LN-2835T-60	60pcs/m	24VDC	5.04 W/m	90+	499 lm/m	354 lm/m	100mm	21m	10mm
					95+	413 lm/m	293 lm/m			
				2.4 W/m	90+	230 lm/m	163 lm/m	100mm	50mm	10 mm
					95+	190 lm/m	135 lm/m			
	LN-2835T-56	56pcs/m	48VDC	5.76 W/m	90+	668 lm/m	474 lm/m	250mm	35mm	10 mm
				95+	553 lm/m	393 lm/m				
Short Cut	FN-F2835A-60	60pcs/m	24VDC	14.4 W/m	90+	1239 lm/m	838 lm/m	33.3mm	5.5mm	10 mm
					95+	979lm/m	695 lm/m			

VERTICAL SURFACE MOUNTED - U LENS SERIES

► SL2019B15

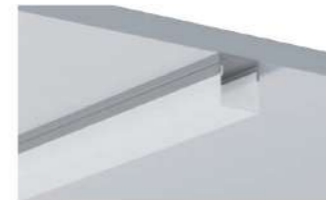
RECOMMEND LIGHT SOURCE

Performance	Part Code	LED QTY	Input Vol.	Power	CRI	Light Source Lumen	Diffuser Lens Lumen	Cuttable Length	Max Run	PCB Width
General	FN-H2835T-120	120pcs/m	12/24VDC	14.40 W/m	90+	1512 lm/m	1074 lm/m	12V=50mm 24V=50mm	12V=5m 24V=9m	10 mm
					95+	1282 lm/m	910 lm/m			
High Efficiency	FN-H2835T-128	128pcs/m	12/24VDC	11.52 W/m	90+	1613 lm/m	1145 lm/m	12V=31.2mm 24V=62.5mm	12V=3m 24V=6m	10 mm
	FN-H2835T-160	160pcs/m	24VDC	24 W/m	90+	3480 lm/m	2743 lm/m	50mm	3m	10 mm
	FN-H2835T-160	160pcs/m	12/24VDC	14.40 W/m	90+	1987 lm/m	1411 lm/m	12V=25mm 24V=50mm	12V=3mm 24V=5mm	10 mm
	FN-H2835T-192	192pcs/m	24VDC	28.8 W/m	90+	4176 lm/m	3292 lm/m	41.7mm	2.5m	10 mm
Long Run	LN-H2835T-80	80pcs/m	36VDC	5.18W/m	90+	580 lm/m	412 lm/m	100mm	50mm	10 mm
					95+	482 lm/m	342 lm/m			
	LN-H2835T-112	112pcs/m	48VDC	11.52 W/m	90+	1336 lm/m	949 lm/m	125mm	25mm	10 mm
					95+	1106 lm/m	785 lm/m			
	LN-H2835T-120	120pcs/m	24VDC	6.00 W/m	90+	588 lm/m	417 lm/m	50mm	21mm	10 mm
					95+	486 lm/m	345 lm/m			
Short Cut	FN-F2835A-120	120pcs/m	24VDC	21.60 W/m	90+	1922 lm/m	1365 lm/m	16.7mm	3.5mm	10 mm
					95+	1595 lm/m	1133 lm/m			



VERTICAL SURFACE MOUNTED - U LENS SERIES

► SL2326B20



Installation: Surface Mounted
 Length Available: 1-3m
 Profile Color: Silver, Black Anodized, White Powder Coating
 Lens: Opal, Diffuser, Clear
 Input Cable: Endcaps, Profile Bottom, Profile Sides
 Quick Female/Male Connectors Input cable & Junction Box available

VERTICAL SURFACE MOUNTED - U LENS SERIES

► SL2326B20

ORDERING CODE

LUMINAIRE	FINISH	LENS	Vol.	Power	Ra	CRI	INSTALL ACCS.	IP GRADE	CONTROL OPTOINS
SL2326B20	W White	D Diffuser	12 12VDC	14.40W/m	90	22-2200K, 24-2400K, 25-2500K 27-2700K, 30-3000K, 35-3500K 40-4000K, 50-5000K, 65-6500K	01 - Black&Red 22AWG	A - AMP male/female	E - Through Endcaps
			24 24VDC	7.68W/m	90+				
	B Black	O Opal	24 24VDC	5.04W/m	95	22-2200K, 25-2500K, 27-2700K 30-3000K, 35-3500K, 40-4000K 50-5000K, 65-6500K	02 - Black&White 22AWG	M - Molex male/female	B - Through profile end bottom
			36 36VDC	2.40W/m	95+				
	S Silver	C Clear	36 36VDC	5.76W/m	TW	Tunable White - check your executive sales	03 - White PU protected 2 pin	D - DC male/female	S - Through profile side
			48 48VDC	11.52W/m					
				24.00W/m	D2W	Dim To Warm - check your executive sales	04 - 3Pin cable for Tunable white		
				28.80W/m					
				5.18W/m					
				6.00W/m					
			21.60W/m						

RECOMMEND LIGHT SOURCE

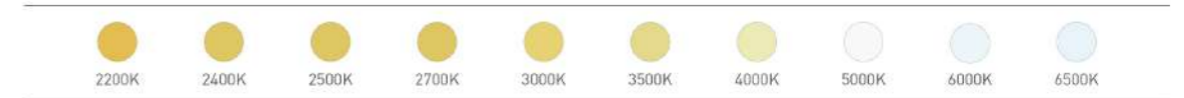
Performance	Part Code	LED QTY	Input Vol.	Power	CRI	Light Source Lumen	Diffuser Lens Lumen	Cutttable Length	Max Run	PCB Width
General	FN-2835T-60	60pcs/m	12/24VDC	14.40 W/m	90+	1440 lm/m	1022 lm/m	12V=50mm 24V=100mm	12V=5m 24V=9m	10 mm
					95+	1238 lm/m	879 lm/m			
High Efficiency	FN-H2835T-64	64pcs/m	24VDC	7.68 W/m	90+	1029 lm/m	731 lm/m	125mm	5m	10 mm
					95+	968 lm/m	687 lm/m			
	FN-H28350-80	80pcs/m	24VDC	14.40W/m	90+	2275 lm/m	1615 lm/m	100mm	4m	10 mm
Long Run	LN-2835T-60	60pcs/m	24VDC	5.04 W/m	90+	499 lm/m	354 lm/m	100mm	21m	10mm
					95+	413 lm/m	293 lm/m			
				2.4 W/m	90+	230 lm/m	163 lm/m	100mm	50mm	10 mm
					95+	190 lm/m	135 lm/m			
	LN-2835T-56	56pcs/m	48VDC	5.76 W/m	90+	668 lm/m	474 lm/m	250mm	35mm	10 mm
					95+	553 lm/m	393 lm/m			
Short Cut	FN-F2835A-60	60pcs/m	24VDC	14.4 W/m	90+	1239 lm/m	838 lm/m	33.3mm	5.5mm	10 mm
					95+	979lm/m	695 lm/m			

VERTICAL SURFACE MOUNTED - U LENS SERIES

► SL2326B20

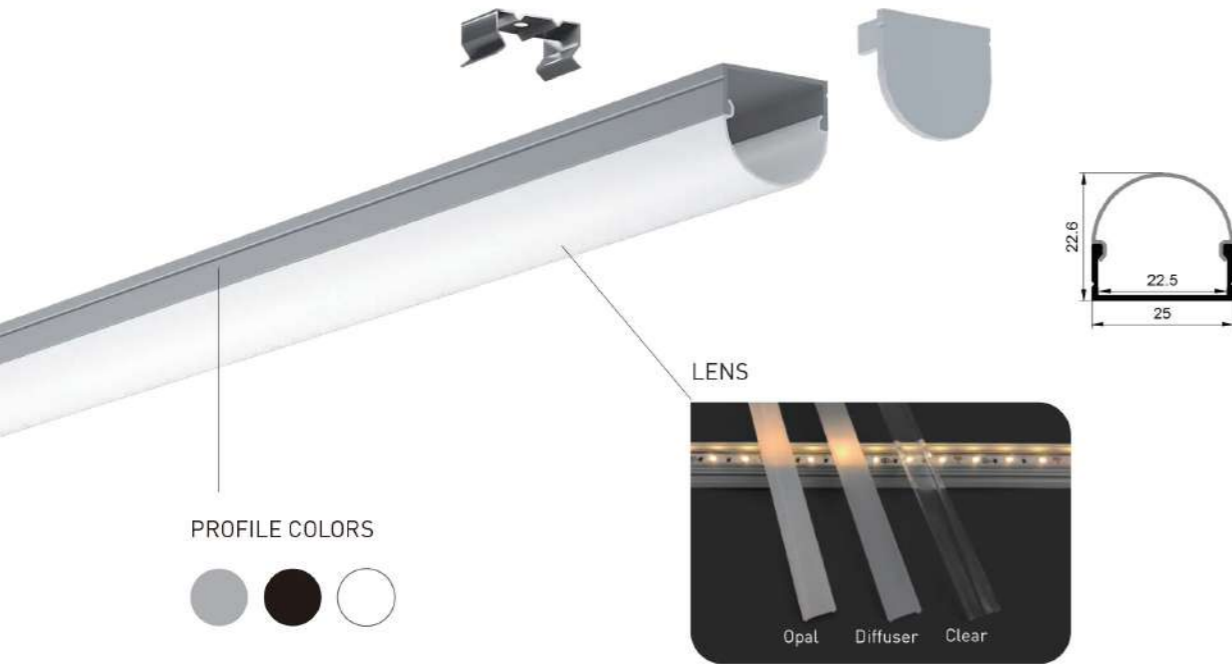
RECOMMEND LIGHT SOURCE

Performance	Part Code	LED QTY	Input Vol.	Power	CRI	Light Source Lumen	Diffuser Lens Lumen	Cutttable Length	Max Run	PCB Width
General	FN-H2835T-120	120pcs/m	12/24VDC	14.40 W/m	90+	1512 lm/m	1074 lm/m	12V=50mm 24V=50mm	12V=5m 24V=9m	10 mm
					95+	1282 lm/m	910 lm/m			
High Efficiency	FN-H2835T-128	128pcs/m	12/24VDC	11.52 W/m	90+	1613 lm/m	1145 lm/m	12V=31.2mm 24V=62.5mm	12V=3m 24V=6m	10 mm
				95+	1475 lm/m	1047 lm/m				
	FN-H28350-160	160pcs/m	24VDC	24 W/m	90+	3480 lm/m	2743 lm/m	50mm	3m	10 mm
	FN-H2835T-160	160pcs/m	12/24VDC	14.40 W/m	90+	1987 lm/m	1411 lm/m	12V=25mm 24V=50mm	12V=3mm 24V=5mm	10 mm
			95+	1843 lm/m	1309 lm/m					
Long Run	LN-H2835T-80	80pcs/m	36VDC	5.18W/m	90+	580 lm/m	412 lm/m	100mm	50mm	10 mm
					95+	482 lm/m	342 lm/m			
	LN-H2835T-112	112pcs/m	48VDC	11.52 W/m	90+	1336 lm/m	949 lm/m	125mm	25mm	10 mm
					95+	1106 lm/m	785 lm/m			
	LN-H2835T-120	120pcs/m	24VDC	6.00 W/m	90+	588 lm/m	417 lm/m	50mm	21mm	10 mm
					95+	486 lm/m	345 lm/m			
Short Cut	FN-F2835A-120	120pcs/m	24VDC	21.60 W/m	90+	1922 lm/m	1365 lm/m	16.7mm	3.5mm	10 mm
					95+	1595 lm/m	1133 lm/m			



VERTICAL SURFACE MOUNTED - U LENS SERIES

► SL2511B22



Installation: Surface Mounted
 Length Available: 1-3m
 Profile Color: Silver, Black Anodized, White Powder Coating
 Lens: Opal, Diffuser, Clear
 Input Cable: Endcaps, Profile Bottom, Profile Sides
 Quick Female/Male Connectors Input cable & Junction Box available

VERTICAL SURFACE MOUNTED - U LENS SERIES

► SL2511B22

ORDERING CODE

LUMINAIRE	FINISH	LENS	Vol.	Power	Ra	CRI	INSTALL ACCS.	IP GRADE	CONTROL OPTOINS
SL2511B22	W White	D Diffuser	12	14.40W/m	90 90+	22-2200K , 24-2400K , 25-2500K 27-2700K , 30-3000K , 35-3500K 40-4000K , 50-5000K , 65-6500K	01 - Black&Red 22AWG	A - AMP male/female	E - Through Endcaps
			12VDC	7.68W/m					
	B Black	O Opal	24	5.04W/m	95 95+	22-2200K , 25-2500K , 27-2700K 30-3000K , 35-3500K , 40-4000K 50-5000K , 65-6500K	02 - Black&White 22AWG	M - Molex male/female	B - Through profile end bottom
			24VDC	2.40W/m					
	S Silver	C Clear	36	5.76W/m	TW	Tunable White - check your executive sales	03 - White PU protected 2 pin	D - DC male/female	S - Through profile side
			36VDC	11.52W/m					
			48	24.00W/m	D2W	Dim To Warm - check your executive sales	04 - 3Pin cable for Tunable white		
			48VDC	28.80W/m					
				5.18W/m					
				6.00W/m					
			21.60W/m						

RECOMMEND LIGHT SOURCE

Performance	Part Code	LED QTY	Input Vol.	Power	CRI	Light Source Lumen	Diffuser Lens Lumen	Cuttable length	Max Run	PCB Width
General	FN-2835T-60	60pcs/m	12/24VDC	14.40 W/m	90+	1440 lm/m	1022 lm/m	12V=50mm 24V=100mm	12V=5m 24V=9m	10 mm
					95+	1238 lm/m	879 lm/m			
High Efficiency	FN-H2835T-64	64pcs/m	24VDC	7.68 W/m	90+	1029 lm/m	731 lm/m	125mm	5m	10 mm
					95+	968 lm/m	687 lm/m			
	FN-H28350-80	80pcs/m	24VDC	14.40W/m	90+	2275 lm/m	1615 lm/m	100mm	4m	10 mm
					95+	499 lm/m	354 lm/m			
Long Run	LN-2835T-60	60pcs/m	24VDC	5.04 W/m	90+	413 lm/m	293 lm/m	100mm	21m	10mm
					95+	230 lm/m	163 lm/m			
				2.4 W/m	90+	190 lm/m	135 lm/m	100mm	50mm	10 mm
					95+	668 lm/m	474 lm/m			
	LN-2835T-56	56pcs/m	48VDC	5.76 W/m	90+	553 lm/m	393 lm/m	250mm	35mm	10 mm
					95+	1239 lm/m	838 lm/m			
Short Cut	FN-F2835A-60	60pcs/m	24VDC	14.4 W/m	90+	979lm/m	695 lm/m	33.3mm	5.5mm	10 mm
					95+					

VERTICAL SURFACE MOUNTED - U LENS SERIES

► SL2511B22

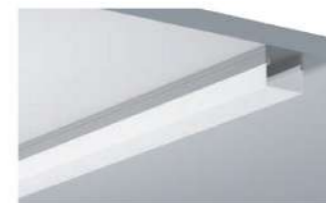
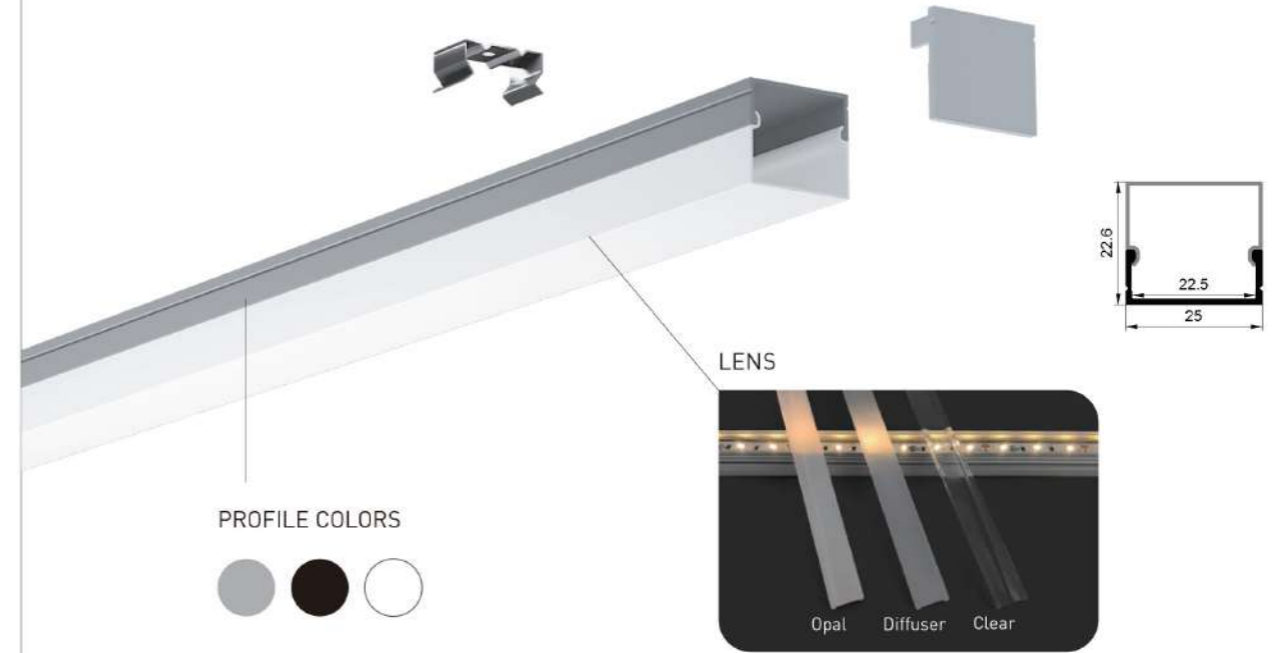
RECOMMEND LIGHT SOURCE

Performance	Part Code	LED QTY	Input Vol.	Power	CRI	Light Source Lumen	Diffuser Lens Lumen	Cuttable Length	Max Run	PCB Width		
General	FN-H2835T-120	120pcs/m	12/24VDC	14.40 W/m	90+	1512 lm/m	1074 lm/m	12V=50mm 24V=50mm	12V=5m 24V=9m	10 mm		
					95+	1282 lm/m	910 lm/m					
High Efficiency	FN-H2835T-128	128pcs/m	12/24VDC	11.52 W/m	90+	1613 lm/m	1145 lm/m	12V=31.2mm 24V=62.5mm	12V=3m 24V=6m	10 mm		
					95+	1475 lm/m	1047 lm/m					
	FN-H28350-160	160pcs/m	24VDC	24 W/m	90+	3480 lm/m	2743 lm/m	50mm	3m	10 mm		
	FN-H2835T-160	160pcs/m	12/24VDC	14.40 W/m	90+	1987 lm/m	1411 lm/m	12V=25mm 24V=50mm	12V=3m 24V=5mm	10 mm		
Long Run	LN-H2835T-80	80pcs/m	36VDC	5.18W/m	90+	580 lm/m	412 lm/m	100mm	50mm	10 mm		
					95+	482 lm/m	342 lm/m					
Short Cut	FN-F2835A-120	120pcs/m	24VDC	21.60 W/m	90+	1922 lm/m	1365 lm/m	16.7mm	3.5mm	10 mm		
					95+	1595 lm/m	1133 lm/m					
					90+	1336 lm/m	949 lm/m				125mm	25mm
					95+	1106 lm/m	785 lm/m					
Short Cut	FN-F2835A-120	120pcs/m	24VDC	6.00 W/m	90+	588 lm/m	417 lm/m	50mm	21mm	10 mm		
					95+	486 lm/m	345 lm/m					
					90+	588 lm/m	417 lm/m				50mm	21mm
					95+	486 lm/m	345 lm/m					



VERTICAL SURFACE MOUNTED - U LENS SERIES

► SL2511C22



Installation: Surface Mounted
 Length Available: 1-3m
 Profile Color: Silver, Black Anodized, White Powder Coating
 Lens: Opal, Diffuser, Clear
 Input Cable: Endcaps, Profile Bottom, Profile Sides
 Quick Female/Male Connectors Input cable & Junction Box available

VERTICAL SURFACE MOUNTED - U LENS SERIES

► SL2511C22

ORDERING CODE

LUMINAIRE	FINISH	LENS	Vol.	Power	Ra	CRI	INSTALL ACCS.	IP GRADE	CONTROL OPTOINS
SL2511C22	W White	D Diffuser	12 12VDC	14.40W/m	90	22-2200K, 24-2400K, 25-2500K 27-2700K, 30-3000K, 35-3500K 40-4000K, 50-5000K, 65-6500K	01 - Black&Red 22AWG	A - AMP male/female	E - Through Endcaps
			24 24VDC	7.68W/m	90+				
	B Black	O Opal	24 24VDC	5.04W/m	95	22-2200K, 25-2500K, 27-2700K 30-3000K, 35-3500K, 40-4000K 50-5000K, 65-6500K	02 - Black&White 22AWG	M - Molex male/female	B - Through profile end bottom
			36 36VDC	2.40W/m	95+				
	S Silver	C Clear	36 36VDC	5.76W/m	TW	Tunable White - check your executive sales	03 - White PU protected 2 pin	D - DC male/female	S - Through profile side
			48 48VDC	11.52W/m					
				24.00W/m	D2W	Dim To Warm - check your executive sales	04 - 3Pin cable for Tunable white		
				28.80W/m					
				5.18W/m					
				6.00W/m					
			21.60W/m						

RECOMMEND LIGHT SOURCE

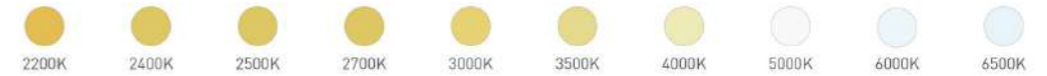
Performance	Part Code	LED QTY	Input Vol.	Power	CRI	Light Source Lumen	Diffuser Lens Lumen	Cutttable Length	Max Run	PCB Width
General	FN-2835T-60	60pcs/m	12/24VDC	14.40 W/m	90+	1440 lm/m	1022 lm/m	12V=50mm 24V=100mm	12V=5m 24V=9m	10 mm
					95+	1238 lm/m	879 lm/m			
High Efficiency	FN-H2835T-64	64pcs/m	24VDC	7.68 W/m	90+	1029 lm/m	731 lm/m	125mm	5m	10 mm
					95+	968 lm/m	687 lm/m			
	FN-H28350-80	80pcs/m	24VDC	14.40W/m	90+	2275 lm/m	1615 lm/m	100mm	4m	10 mm
Long Run	LN-2835T-60	60pcs/m	24VDC	5.04 W/m	90+	499 lm/m	354 lm/m	100mm	21m	10mm
					95+	413 lm/m	293 lm/m			
				2.4 W/m	90+	230 lm/m	163 lm/m	100mm	50mm	10 mm
					95+	190 lm/m	135 lm/m			
	LN-2835T-56	56pcs/m	48VDC	5.76 W/m	90+	668 lm/m	474 lm/m	250mm	35mm	10 mm
					95+	553 lm/m	393 lm/m			
Short Cut	FN-F2835A-60	60pcs/m	24VDC	14.4 W/m	90+	1239 lm/m	838 lm/m	33.3mm	5.5mm	10 mm
					95+	979lm/m	695 lm/m			

VERTICAL SURFACE MOUNTED - U LENS SERIES

► SL2511C22

RECOMMEND LIGHT SOURCE

Performance	Part Code	LED QTY	Input Vol.	Power	CRI	Light Source Lumen	Diffuser Lens Lumen	Cutttable Length	Max Run	PCB Width
General	FN-H2835T-120	120pcs/m	12/24VDC	14.40 W/m	90+	1512 lm/m	1074 lm/m	12V=50mm 24V=50mm	12V=5m 24V=9m	10 mm
					95+	1282 lm/m	910 lm/m			
High Efficiency	FN-H2835T-128	128pcs/m	12/24VDC	11.52 W/m	90+	1613 lm/m	1145 lm/m	12V=31.2mm 24V=62.5mm	12V=3m 24V=6m	10 mm
				95+	1475 lm/m	1047 lm/m				
	FN-H28350-160	160pcs/m	24VDC	24 W/m	90+	3480 lm/m	2743 lm/m	50mm	3m	10 mm
	FN-H2835T-160	160pcs/m	12/24VDC	14.40 W/m	90+	1987 lm/m	1411 lm/m	12V=25mm 24V=50mm	12V=3mm 24V=5mm	10 mm
			95+	1843 lm/m	1309 lm/m					
Long Run	LN-H2835T-80	80pcs/m	36VDC	5.18W/m	90+	580 lm/m	412 lm/m	100mm	50mm	10 mm
					95+	482 lm/m	342 lm/m			
	LN-H2835T-112	112pcs/m	48VDC	11.52 W/m	90+	1336 lm/m	949 lm/m	125mm	25mm	10 mm
					95+	1106 lm/m	785 lm/m			
	LN-H2835T-120	120pcs/m	24VDC	6.00 W/m	90+	588 lm/m	417 lm/m	50mm	21mm	10 mm
					95+	486 lm/m	345 lm/m			
Short Cut	FN-F2835A-120	120pcs/m	24VDC	21.60 W/m	90+	1922 lm/m	1365 lm/m	16.7mm	3.5mm	10 mm
					95+	1595 lm/m	1133 lm/m			



VERTICAL SURFACE MOUNTED - U LENS SERIES

► SL2516B22



PROFILE COLORS



Opal Diffuser Clear



Installation: Surface Mounted
 Length Available: 1-3m
 Profile Color: Silver, Black Anodized, White Powder Coating
 Lens: Opal, Diffuser, Clear
 Input Cable: Endcaps, Profile Bottom, Profile Sides
 Quick Female/Male Connectors Input cable & Junction Box available

VERTICAL SURFACE MOUNTED - U LENS SERIES

► SL2516B22

ORDERING CODE

LUMINAIRE	FINISH	LENS	VoL	Power	Ra	CRI	INSTALL ACCS.	IP GRADE	CONTROL OPTOINS
SL2516B22	W White	D Diffuser	12	14.40W/m	90 90+	22-2200K , 24-2400K , 25-2500K 27-2700K , 30-3000K , 35-3500K 40-4000K , 50-5000K , 65-6500K	01 - Black&Red 22AWG	A - AMP male/female	E - Through Endcaps
			12VDC	7.68W/m					
	B Black	O Opal	24	5.04W/m	95 95+	22-2200K , 25-2500K , 27-2700K 30-3000K , 35-3500K , 40-4000K 50-5000K , 65-6500K	02 - Black&White 22AWG	M - Molex male/female	B - Through profile end bottom
			24VDC	2.40W/m					
	S Silver	C Clear	36	5.76W/m	TW	Tunable White - check your executive sales	03 - White PU protected 2 pin	D - DC male/female	S - Through profile side
			36VDC	11.52W/m					
			48	24.00W/m	D2W	Dim To Warm - check your executive sales	04 - 3Pin cable for Tunable white		
			48VDC	28.80W/m					
				5.18W/m					
				6.00W/m					
			21.60W/m						

RECOMMEND LIGHT SOURCE

Performance	Part Code	LED QTY	Input Vol.	Power	CRI	Light Source Lumen	Diffuser Lens Lumen	Cutttable length	Max Run	PCB Width
General	FN-2835T-60	60pcs/m	12/24VDC	14.40 W/m	90+	1440 lm/m	1022 lm/m	12V=50mm 24V=100mm	12V=5m 24V=9m	10 mm
					95+	1238 lm/m	879 lm/m			
High Efficiency	FN-H2835T-64	64pcs/m	24VDC	7.68 W/m	90+	1029 lm/m	731 lm/m	125mm	5m	10 mm
					95+	968 lm/m	687 lm/m			
Long Run	FN-H28350-80	80pcs/m	24VDC	14.40W/m	90+	2275 lm/m	1615 lm/m	100mm	4m	10 mm
					95+	499 lm/m	354 lm/m			
	LN-2835T-60	60pcs/m	24VDC	5.04 W/m	90+	413 lm/m	293 lm/m	100mm	21m	10mm
					95+	230 lm/m	163 lm/m			
	LN-2835T-56	56pcs/m	48VDC	5.76 W/m	90+	190 lm/m	135 lm/m	100mm	50mm	10 mm
					95+	668 lm/m	474 lm/m			
Short Cut	FN-F2835A-60	60pcs/m	24VDC	14.4 W/m	90+	1239 lm/m	838 lm/m	33.3mm	5.5mm	10 mm
					95+	553 lm/m	393 lm/m			

VERTICAL SURFACE MOUNTED - U LENS SERIES

► SL2516B22

RECOMMEND LIGHT SOURCE

Performance	Part Code	LED QTY	Input Vol.	Power	CRI	Light Source Lumen	Diffuser Lens Lumen	Cuttable Length	Max Run	PCB Width
General	FN-H2835T-120	120pcs/m	12/24VDC	14.40 W/m	90+	1512 lm/m	1074 lm/m	12V=50mm 24V=50mm	12V=5m 24V=9m	10 mm
					95+	1282 lm/m	910 lm/m			
High Efficiency	FN-H2835T-128	128pcs/m	12/24VDC	11.52 W/m	90+	1613 lm/m	1145 lm/m	12V=31.2mm 24V=62.5mm	12V=3m 24V=6m	10 mm
	FN-H2835T-160	160pcs/m	24VDC	24 W/m	90+	3480 lm/m	2743 lm/m	50mm	3m	10 mm
	FN-H2835T-160	160pcs/m	12/24VDC	14.40 W/m	90+	1987 lm/m	1411 lm/m	12V=25mm 24V=50mm	12V=3m 24V=5mm	10 mm
	FN-H2835T-192	192pcs/m	24VDC	28.8 W/m	90+	4176 lm/m	3292 lm/m	41.7mm	2.5m	10 mm
Long Run	LN-H2835T-80	80pcs/m	36VDC	5.18W/m	90+	580 lm/m	412 lm/m	100mm	50mm	10 mm
					95+	482 lm/m	342 lm/m			
	LN-H2835T-112	112pcs/m	48VDC	11.52 W/m	90+	1336 lm/m	949 lm/m	125mm	25mm	10 mm
					95+	1106 lm/m	785 lm/m			
Short Cut	FN-F2835A-120	120pcs/m	24VDC	21.60 W/m	90+	1922 lm/m	1365 lm/m	16.7mm	3.5mm	10 mm
					95+	1595 lm/m	1133 lm/m			



VERTICAL SURFACE MOUNTED - U LENS SERIES

► SL2516C22



Installation: Surface Mounted
 Length Available: 1-3m
 Profile Color: Silver, Black Anodized, White Powder Coating
 Lens: Opal, Diffuser, Clear
 Input Cable: Endcaps, Profile Bottom, Profile Sides
 Quick Female/Male Connectors Input cable & Junction Box available

VERTICAL SURFACE MOUNTED - U LENS SERIES

► SL2516C22

ORDERING CODE

LUMINAIRE	FINISH	LENS	Vol.	Power	Ra	CRI	INSTALL ACCS.	IP GRADE	CONTROL OPTOINS
SL2516C22	W White	D Diffuser	12 12VDC	14.40W/m	90	22-2200K, 24-2400K, 25-2500K 27-2700K, 30-3000K, 35-3500K 40-4000K, 50-5000K, 65-6500K	01 - Black&Red 22AWG	A - AMP male/female	E - Through Endcaps
			24 24VDC	7.68W/m	90+				
	B Black	O Opal	24 24VDC	5.04W/m	95	22-2200K, 25-2500K, 27-2700K 30-3000K, 35-3500K, 40-4000K 50-5000K, 65-6500K	02 - Black&White 22AWG	M - Molex male/female	B - Through profile end bottom
			36 36VDC	2.40W/m	95+				
	S Silver	C Clear	36 36VDC	2.40W/m	TW	Tunable White - check your executive sales	03 - White PU protected 2 pin	D - DC male/female	S - Through profile side
			48 48VDC	5.76W/m					
				24.00W/m	D2W	Dim To Warm - check your executive sales	04 - 3Pin cable for Tunable white		
				28.80W/m					
				5.18W/m					
				6.00W/m					
			21.60W/m						

RECOMMEND LIGHT SOURCE

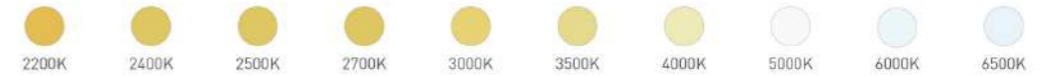
Performance	Part Code	LED QTY	Input Vol.	Power	CRI	Light Source Lumen	Diffuser Lens Lumen	Cutttable Length	Max Run	PCB Width
General	FN-2835T-60	60pcs/m	12/24VDC	14.40 W/m	90+	1440 lm/m	1022 lm/m	12V=50mm 24V=100mm	12V=5m 24V=9m	10 mm
					95+	1238 lm/m	879 lm/m			
High Efficiency	FN-H2835T-64	64pcs/m	24VDC	7.68 W/m	90+	1029 lm/m	731 lm/m	125mm	5m	10 mm
					95+	968 lm/m	687 lm/m			
	FN-H28350-80	80pcs/m	24VDC	14.40W/m	90+	2275 lm/m	1615 lm/m	100mm	4m	10 mm
Long Run	LN-2835T-60	60pcs/m	24VDC	5.04 W/m	90+	499 lm/m	354 lm/m	100mm	21m	10mm
					95+	413 lm/m	293 lm/m			
				2.4 W/m	90+	230 lm/m	163 lm/m	100mm	50mm	10 mm
					95+	190 lm/m	135 lm/m			
	LN-2835T-56	56pcs/m	48VDC	5.76 W/m	90+	668 lm/m	474 lm/m	250mm	35mm	10 mm
					95+	553 lm/m	393 lm/m			
Short Cut	FN-F2835A-60	60pcs/m	24VDC	14.4 W/m	90+	1239 lm/m	838 lm/m	33.3mm	5.5mm	10 mm
					95+	979lm/m	695 lm/m			

VERTICAL SURFACE MOUNTED - U LENS SERIES

► SL2516C22

RECOMMEND LIGHT SOURCE

Performance	Part Code	LED QTY	Input Vol.	Power	CRI	Light Source Lumen	Diffuser Lens Lumen	Cutttable Length	Max Run	PCB Width
General	FN-H2835T-120	120pcs/m	12/24VDC	14.40 W/m	90+	1512 lm/m	1074 lm/m	12V=50mm 24V=50mm	12V=5m 24V=9m	10 mm
					95+	1282 lm/m	910 lm/m			
High Efficiency	FN-H2835T-128	128pcs/m	12/24VDC	11.52 W/m	90+	1613 lm/m	1145 lm/m	12V=31.2mm 24V=62.5mm	12V=3m 24V=6m	10 mm
				95+	1475 lm/m	1047 lm/m				
	FN-H28350-160	160pcs/m	24VDC	24 W/m	90+	3480 lm/m	2743 lm/m	50mm	3m	10 mm
	FN-H2835T-160	160pcs/m	12/24VDC	14.40 W/m	90+	1987 lm/m	1411 lm/m	12V=25mm 24V=50mm	12V=3mm 24V=5mm	10 mm
			95+	1843 lm/m	1309 lm/m					
Long Run	LN-H2835T-80	80pcs/m	36VDC	5.18W/m	90+	580 lm/m	412 lm/m	100mm	50mm	10 mm
					95+	482 lm/m	342 lm/m			
	LN-H2835T-112	112pcs/m	48VDC	11.52 W/m	90+	1336 lm/m	949 lm/m	125mm	25mm	10 mm
					95+	1106 lm/m	785 lm/m			
	LN-H2835T-120	120pcs/m	24VDC	6.00 W/m	90+	588 lm/m	417 lm/m	50mm	21mm	10 mm
					95+	486 lm/m	345 lm/m			
Short Cut	FN-F2835A-120	120pcs/m	24VDC	21.60 W/m	90+	1922 lm/m	1365 lm/m	16.7mm	3.5mm	10 mm
					95+	1595 lm/m	1133 lm/m			



VERTICAL SURFACE MOUNTED - U LENS SERIES

► SL261823



Installation: Surface Mounted
 Length Available: 1-3m
 Profile Color: Silver, Black Anodized, White Powder Coating
 Lens: Opal, Diffuser, Clear
 Input Cable: Endcaps, Profile Bottom, Profile Sides
 Quick Female/Male Connectors Input cable & Junction Box available

VERTICAL SURFACE MOUNTED - U LENS SERIES

► SL261823

ORDERING CODE

LUMINAIRE	FINISH	LENS	VoL	Power	Ra	CRI	INSTALL ACCS.	IP GRADE	CONTROL OPTOINS
SL261823	W White	D Diffuser	12 12VDC	14.40W/m	90 90+	22-2200K , 24-2400K , 25-2500K 27-2700K , 30-3000K , 35-3500K 40-4000K , 50-5000K , 65-6500K	01 - Black&Red 22AWG	A - AMP male/female	E - Through Endcaps
			24 24VDC	7.68W/m					
	B Black	O Opal	24 24VDC	5.04W/m	95 95+	22-2200K , 25-2500K , 27-2700K 30-3000K , 35-3500K , 40-4000K 50-5000K , 65-6500K	02 - Black&White 22AWG	M - Molex male/female	B - Through profile end bottom
			36 36VDC	2.40W/m					
	S Silver	C Clear	48 48VDC	5.76W/m	TW	Tunable White - check your executive sales	03 - White PU protected 2 pin	D - DC male/female	S - Through profile side
			48 48VDC	11.52W/m					
				24.00W/m	D2W	Dim To Warm - check your executive sales	04 - 3Pin cable for Tunable white		
				28.80W/m					
				5.18W/m					
				6.00W/m					
			21.60W/m						

RECOMMEND LIGHT SOURCE

Performance	Part Code	LED QTY	Input Vol.	Power	CRI	Light Source Lumen	Diffuser Lens Lumen	Cutttable length	Max Run	PCB Width
General	FN-2835T-60	60pcs/m	12/24VDC	14.40 W/m	90+	1440 lm/m	1022 lm/m	12V=50mm 24V=100mm	12V=5m 24V=9m	10 mm
					95+	1238 lm/m	879 lm/m			
High Efficiency	FN-H2835T-64	64pcs/m	24VDC	7.68 W/m	90+	1029 lm/m	731 lm/m	125mm	5m	10 mm
					95+	968 lm/m	687 lm/m			
	FN-H2835O-80	80pcs/m	24VDC	14.40W/m	90+	2275 lm/m	1615 lm/m	100mm	4m	10 mm
Long Run	LN-2835T-60	60pcs/m	24VDC	5.04 W/m	90+	499 lm/m	354 lm/m	100mm	21m	10mm
					95+	413 lm/m	293 lm/m			
	LN-2835T-56	56pcs/m	48VDC	5.76 W/m	90+	668 lm/m	474 lm/m	250mm	35mm	10 mm
					95+	553 lm/m	393 lm/m			
Short Cut	FN-F2835A-60	60pcs/m	24VDC	14.4 W/m	90+	1239 lm/m	838 lm/m	33.3mm	5.5mm	10 mm
					95+	979lm/m	695 lm/m			

VERTICAL SURFACE MOUNTED - U LENS SERIES

► SL261823

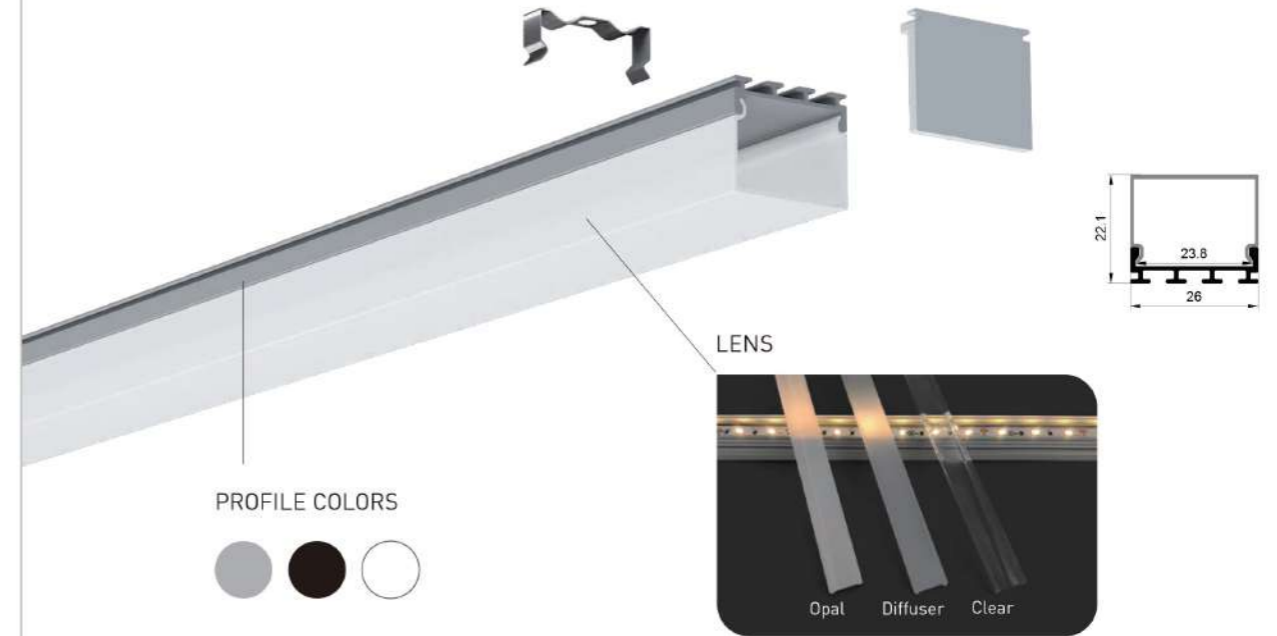
RECOMMEND LIGHT SOURCE

Performance	Part Code	LED QTY	Input Vol.	Power	CRI	Light Source Lumen	Diffuser Lens Lumen	Cuttable Length	Max Run	PCB Width
General	FN-H2835T-120	120pcs/m	12/24VDC	14.40 W/m	90+	1512 lm/m	1074 lm/m	12V=50mm 24V=50mm	12V=5m 24V=9m	10 mm
					95+	1282 lm/m	910 lm/m			
High Efficiency	FN-H2835T-128	128pcs/m	12/24VDC	11.52 W/m	90+	1613 lm/m	1145 lm/m	12V=31.2mm 24V=62.5mm	12V=3m 24V=6m	10 mm
	FN-H28350-160	160pcs/m	24VDC	24 W/m	90+	3480 lm/m	2743 lm/m	50mm	3m	10 mm
					95+	1475 lm/m	1047 lm/m			
	FN-H2835T-160	160pcs/m	12/24VDC	14.40 W/m	90+	1987 lm/m	1411 lm/m	12V=25mm 24V=50mm	12V=3mm 24V=5mm	10 mm
FN-H28350-192	192pcs/m	24VDC	28.8 W/m	90+	4176 lm/m	3292 lm/m	41.7mm	2.5m	10 mm	
Long Run	LN-H2835T-80	80pcs/m	36VDC	5.18W/m	90+	580 lm/m	412 lm/m	100mm	50mm	10 mm
					95+	482 lm/m	342 lm/m			
	LN-H2835T-112	112pcs/m	48VDC	11.52 W/m	90+	1336 lm/m	949 lm/m	125mm	25mm	10 mm
					95+	1106 lm/m	785 lm/m			
	LN-H2835T-120	120pcs/m	24VDC	6.00 W/m	90+	588 lm/m	417 lm/m	50mm	21mm	10 mm
					95+	486 lm/m	345 lm/m			
Short Cut	FN-F2835A-120	120pcs/m	24VDC	21.60 W/m	90+	1922 lm/m	1365 lm/m	16.7mm	3.5mm	10 mm
					95+	1595 lm/m	1133 lm/m			



VERTICAL SURFACE MOUNTED - U LENS SERIES

► SL2618B23



Installation: Surface Mounted
 Length Available: 1-3m
 Profile Color: Silver, Black Anodized, White Powder Coating
 Lens: Opal, Diffuser, Clear
 Input Cable: Endcaps, Profile Bottom, Profile Sides
 Quick Female/Male Connectors Input cable & Junction Box available

VERTICAL SURFACE MOUNTED - U LENS SERIES

► SL2618B23

ORDERING CODE

LUMINAIRE	FINISH	LENS	Vol.	Power	Ra	CRI	INSTALL ACCS.	IP GRADE	CONTROL OPTOINS
SL2618B23	W White	D Diffuser	12 12VDC	14.40W/m	90 90+	22-2200K, 24-2400K, 25-2500K 27-2700K, 30-3000K, 35-3500K 40-4000K, 50-5000K, 65-6500K	01 - Black&Red 22AWG	A - AMP male/female	E - Through Endcaps
			24 24VDC	7.68W/m					
	B Black	O Opal	24 24VDC	5.04W/m	95 95+	22-2200K, 25-2500K, 27-2700K 30-3000K, 35-3500K, 40-4000K 50-5000K, 65-6500K	02 - Black&White 22AWG	M - Molex male/female	B - Through profile end bottom
			36 36VDC	2.40W/m					
	S Silver	C Clear	36 36VDC	5.76W/m	TW	Tunable White - check your executive sales	03 - White PU protected 2 pin	D - DC male/female	S - Through profile side
			48 48VDC	11.52W/m					
				24.00W/m	D2W	Dim To Warm - check your executive sales	04 - 3Pin cable for Tunable white		
				28.80W/m					
				5.18W/m					
				6.00W/m					
			21.60W/m						

RECOMMEND LIGHT SOURCE

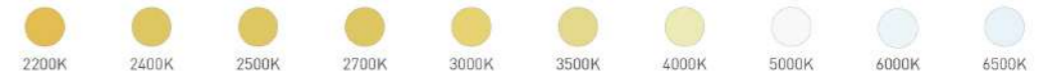
Performance	Part Code	LED QTY	Input Vol.	Power	CRI	Light Source Lumen	Diffuser Lens Lumen	Cuttable length	Max Run	PCB Width
General	FN-2835T-60	60pcs/m	12/24VDC	14.40 W/m	90+	1440 lm/m	1022 lm/m	12V=50mm 24V=100mm	12V=5m 24V=9m	10 mm
					95+	1238 lm/m	879 lm/m			
High Efficiency	FN-H2835T-64	64pcs/m	24VDC	7.68 W/m	90+	1029 lm/m	731 lm/m	125mm	5m	10 mm
					95+	968 lm/m	687 lm/m			
	FN-H28350-80	80pcs/m	24VDC	14.40W/m	90+	2275 lm/m	1615 lm/m	100mm	4m	10 mm
Long Run	LN-2835T-60	60pcs/m	24VDC	5.04 W/m	90+	499 lm/m	354 lm/m	100mm	21m	10mm
					95+	413 lm/m	293 lm/m			
				2.4 W/m	90+	230 lm/m	163 lm/m	100mm	50mm	10 mm
					95+	190 lm/m	135 lm/m			
	LN-2835T-56	56pcs/m	48VDC	5.76 W/m	90+	668 lm/m	474 lm/m	250mm	35mm	10 mm
					95+	553 lm/m	393 lm/m			
Short Cut	FN-F2835A-60	60pcs/m	24VDC	14.4 W/m	90+	1239 lm/m	838 lm/m	33.3mm	5.5mm	10 mm
					95+	979lm/m	695 lm/m			

VERTICAL SURFACE MOUNTED - U LENS SERIES

► SL2618B23

RECOMMEND LIGHT SOURCE

Performance	Part Code	LED QTY	Input Vol.	Power	CRI	Light Source Lumen	Diffuser Lens Lumen	Cuttable length	Max Run	PCB Width
General	FN-H2835T-120	120pcs/m	12/24VDC	14.40 W/m	90+	1512 lm/m	1074 lm/m	12V=50mm 24V=50mm	12V=5m 24V=9m	10 mm
					95+	1282 lm/m	910 lm/m			
High Efficiency	FN-H2835T-128	128pcs/m	12/24VDC	11.52 W/m	90+	1613 lm/m	1145 lm/m	12V=31.2mm 24V=62.5mm	12V=3m 24V=6m	10 mm
				95+	1475 lm/m	1047 lm/m				
	FN-H28350-160	160pcs/m	24VDC	24 W/m	90+	3480 lm/m	2743 lm/m	50mm	3m	10 mm
	FN-H2835T-160	160pcs/m	12/24VDC	14.40 W/m	90+	1987 lm/m	1411 lm/m	12V=25mm 24V=50mm	12V=3mm 24V=5mm	10 mm
			95+	1843 lm/m	1309 lm/m					
Long Run	LN-H2835T-80	80pcs/m	36VDC	5.18W/m	90+	580 lm/m	412 lm/m	100mm	50mm	10 mm
					95+	482 lm/m	342 lm/m			
	LN-H2835T-112	112pcs/m	48VDC	11.52 W/m	90+	1336 lm/m	949 lm/m	125mm	25mm	10 mm
					95+	1106 lm/m	785 lm/m			
	LN-H2835T-120	120pcs/m	24VDC	6.00 W/m	90+	588 lm/m	417 lm/m	50mm	21mm	10 mm
					95+	486 lm/m	345 lm/m			
Short Cut	FN-F2835A-120	120pcs/m	24VDC	21.60 W/m	90+	1922 lm/m	1365 lm/m	16.7mm	3.5mm	10 mm
					95+	1595 lm/m	1133 lm/m			



VERTICAL SURFACE MOUNTED - U LENS SERIES

► SL3511B32



Installation: Surface Mounted
 Length Available: 1-3m
 Profile Color: Silver, Black Anodized, White Powder Coating
 Lens: Opal, Diffuser, Clear
 Input Cable: Endcaps, Profile Bottom, Profile Sides
 Quick Female/Male Connectors Input cable & Junction Box available

VERTICAL SURFACE MOUNTED - U LENS SERIES

► SL3511B32

ORDERING CODE

LUMINAIRE	FINISH	LENS	Vol.	Power	Ra	CRI	INSTALL ACCS.	IP GRADE	CONTROL OPTOINS
SL3511B32	W White	D Diffuser	12 12VDC	14.40W/m	90 90+	22-2200K, 24-2400K, 25-2500K 27-2700K, 30-3000K, 35-3500K 40-4000K, 50-5000K, 65-6500K	01 - Black&Red 22AWG 02 - Black&White 22AWG 03 - White PU protected 2 pin 04 - 3Pin cable for Tunable white	A - AMP male/female M - Molex male/female D - DC male/female	E - Through Endcaps B - Through profile end bottom S - Through profile side
				7.68W/m					
	B Black	O Opal	24 24VDC	5.04W/m	95 95+	22-2200K, 25-2500K, 27-2700K 30-3000K, 35-3500K, 40-4000K 50-5000K, 65-6500K			
				2.40W/m					
	S Silver	C Clear	36 36VDC	5.76W/m	TW	Tunable White - check your executive sales			
				11.52W/m					
				24.00W/m					
				28.80W/m					
				5.18W/m					
				6.00W/m					
21.60W/m	D2W	Dim To Warm - check your executive sales							

RECOMMEND LIGHT SOURCE

Performance	Part Code	LED QTY	Input Vol.	Power	CRI	Light Source Lumen	Diffuser Lens Lumen	Cutttable length	Max Run	PCB Width
General	FN-2835T-60	60pcs/m	12/24VDC	14.40 W/m	90+	1440 lm/m	1022 lm/m	12V=50mm 24V=100mm	12V=5m 24V=9m	10 mm
					95+	1238 lm/m	879 lm/m			
High Efficiency	FN-H2835T-64	64pcs/m	24VDC	7.68 W/m	90+	1029 lm/m	731 lm/m	125mm	5m	10 mm
					95+	968 lm/m	687 lm/m			
Long Run	LN-2835T-60	60pcs/m	24VDC	14.40W/m	90+	2275 lm/m	1615 lm/m	100mm	4m	10 mm
					95+	499 lm/m	354 lm/m			
					95+	413 lm/m	293 lm/m			
				2.4 W/m	90+	230 lm/m	163 lm/m	100mm	50mm	10 mm
					95+	190 lm/m	135 lm/m			
					95+	190 lm/m	135 lm/m			
LN-2835T-56	56pcs/m	48VDC	5.76 W/m	90+	668 lm/m	474 lm/m	250mm	35mm	10 mm	
				95+	553 lm/m	393 lm/m				
Short Cut	FN-F2835A-60	60pcs/m	24VDC	14.4 W/m	90+	1239 lm/m	838 lm/m	33.3mm	5.5mm	10 mm
					95+	979lm/m	695 lm/m			

VERTICAL SURFACE MOUNTED - U LENS SERIES

► SL3511B32

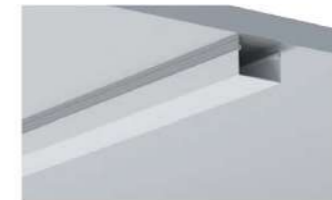
RECOMMEND LIGHT SOURCE

Performance	Part Code	LED QTY	Input Vol.	Power	CRI	Light Source Lumen	Diffuser Lens Lumen	Cuttable Length	Max Run	PCB Width
General	FN-H2835T-120	120pcs/m	12/24VDC	14.40 W/m	90+	1512 lm/m	1074 lm/m	12V=50mm 24V=50mm	12V=5m 24V=9m	10 mm
					95+	1282 lm/m	910 lm/m			
High Efficiency	FN-H2835T-128	128pcs/m	12/24VDC	11.52 W/m	90+	1613 lm/m	1145 lm/m	12V=31.2mm 24V=62.5mm	12V=3m 24V=6m	10 mm
					95+	1475 lm/m	1047 lm/m			
	FN-H28350-160	160pcs/m	24VDC	24 W/m	90+	3480 lm/m	2743 lm/m	50mm	3m	10 mm
					95+	1987 lm/m	1411 lm/m	12V=25mm 24V=50mm	12V=3mm 24V=5mm	
FN-H2835T-160	160pcs/m	12/24VDC	14.40 W/m	90+	1987 lm/m	1411 lm/m	12V=25mm 24V=50mm	12V=3mm 24V=5mm	10 mm	
				95+	1843 lm/m	1309 lm/m				
FN-H28350-192	192pcs/m	24VDC	28.8 W/m	90+	4176 lm/m	3292 lm/m	41.7mm	2.5m	10 mm	
				95+	482 lm/m	342 lm/m				
Long Run	LN-H2835T-80	80pcs/m	36VDC	5.18W/m	90+	580 lm/m	412 lm/m	100mm	50mm	10 mm
					95+	482 lm/m	342 lm/m			
	LN-H2835T-112	112pcs/m	48VDC	11.52 W/m	90+	1336 lm/m	949 lm/m	125mm	25mm	10 mm
					95+	1106 lm/m	785 lm/m			
	LN-H2835T-120	120pcs/m	24VDC	6.00 W/m	90+	588 lm/m	417 lm/m	50mm	21mm	10 mm
					95+	486 lm/m	345 lm/m			
Short Cut	FN-F2835A-120	120pcs/m	24VDC	21.60 W/m	90+	1922 lm/m	1365 lm/m	16.7mm	3.5mm	10 mm
					95+	1595 lm/m	1133 lm/m			



VERTICAL SURFACE MOUNTED - U LENS SERIES

► SL3511C32



Installation: Surface Mounted
 Length Available: 1-3m
 Profile Color: Silver, Black Anodized, White Powder Coating
 Lens: Opal, Diffuser, Clear
 Input Cable: Endcaps, Profile Bottom, Profile Sides
 Quick Female/Male Connectors Input cable & Junction Box available

VERTICAL SURFACE MOUNTED - U LENS SERIES

► SL3511C32

ORDERING CODE

LUMINAIRE	FINISH	LENS	Vol.	Power	Ra	CRI	INSTALL ACCS.	IP GRADE	CONTROL OPTOINS
SL3511C32	W White	D Diffuser	12 12VDC	14.40W/m	90 90+	22-2200K, 24-2400K, 25-2500K 27-2700K, 30-3000K, 35-3500K 40-4000K, 50-5000K, 65-6500K	01 - Black&Red 22AWG	A - AMP male/female	E - Through Endcaps
			24 24VDC	7.68W/m					
	B Black	O Opal	24 24VDC	5.04W/m	95 95+	22-2200K, 25-2500K, 27-2700K 30-3000K, 35-3500K, 40-4000K 50-5000K, 65-6500K	02 - Black&White 22AWG	M - Molex male/female	B - Through profile end bottom
			36 36VDC	2.40W/m					
	S Silver	C Clear	36 36VDC	5.76W/m	TW	Tunable White - check your executive sales	03 - White PU protected 2 pin	D - DC male/female	S - Through profile side
			48 48VDC	11.52W/m					
				24.00W/m	D2W	Dim To Warm - check your executive sales	04 - 3Pin cable for Tunable white		
				28.80W/m					
				5.18W/m					
				6.00W/m					
			21.60W/m						

RECOMMEND LIGHT SOURCE

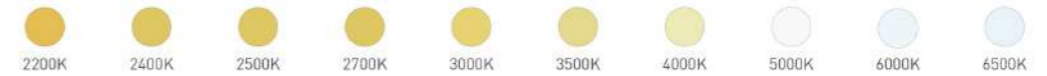
Performance	Part Code	LED QTY	Input Vol.	Power	CRI	Light Source Lumen	Diffuser Lens Lumen	Cutttable length	Max Run	PCB Width
General	FN-2835T-60	60pcs/m	12/24VDC	14.40 W/m	90+	1440 lm/m	1022 lm/m	12V=50mm 24V=100mm	12V=5m 24V=9m	10 mm
					95+	1238 lm/m	879 lm/m			
High Efficiency	FN-H2835T-64	64pcs/m	24VDC	7.68 W/m	90+	1029 lm/m	731 lm/m	125mm	5m	10 mm
					95+	968 lm/m	687 lm/m			
	FN-H28350-80	80pcs/m	24VDC	14.40W/m	90+	2275 lm/m	1615 lm/m	100mm	4m	10 mm
Long Run	LN-2835T-60	60pcs/m	24VDC	5.04 W/m	90+	499 lm/m	354 lm/m	100mm	21m	10mm
					95+	413 lm/m	293 lm/m			
				2.4 W/m	90+	230 lm/m	163 lm/m	100mm	50mm	10 mm
					95+	190 lm/m	135 lm/m			
	LN-2835T-56	56pcs/m	48VDC	5.76 W/m	90+	668 lm/m	474 lm/m	250mm	35mm	10 mm
					95+	553 lm/m	393 lm/m			
Short Cut	FN-F2835A-60	60pcs/m	24VDC	14.4 W/m	90+	1239 lm/m	838 lm/m	33.3mm	5.5mm	10 mm
					95+	979lm/m	695 lm/m			

VERTICAL SURFACE MOUNTED - U LENS SERIES

► SL3511C32

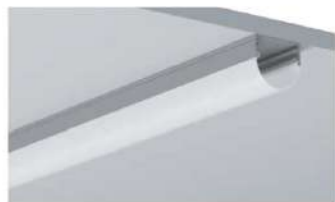
RECOMMEND LIGHT SOURCE

Performance	Part Code	LED QTY	Input Vol.	Power	CRI	Light Source Lumen	Diffuser Lens Lumen	Cutttable length	Max Run	PCB Width
General	FN-H2835T-120	120pcs/m	12/24VDC	14.40 W/m	90+	1512 lm/m	1074 lm/m	12V=50mm 24V=50mm	12V=5m 24V=9m	10 mm
					95+	1282 lm/m	910 lm/m			
High Efficiency	FN-H2835T-128	128pcs/m	12/24VDC	11.52 W/m	90+	1613 lm/m	1145 lm/m	12V=31.2mm 24V=62.5mm	12V=3m 24V=6m	10 mm
				95+	1475 lm/m	1047 lm/m				
	FN-H28350-160	160pcs/m	24VDC	24 W/m	90+	3480 lm/m	2743 lm/m	50mm	3m	10 mm
	FN-H2835T-160	160pcs/m	12/24VDC	14.40 W/m	90+	1987 lm/m	1411 lm/m	12V=25mm 24V=50mm	12V=3mm 24V=5mm	10 mm
			95+	1843 lm/m	1309 lm/m					
Long Run	LN-H2835T-80	80pcs/m	36VDC	5.18W/m	90+	580 lm/m	412 lm/m	100mm	50mm	10 mm
				95+	482 lm/m	342 lm/m				
	LN-H2835T-112	112pcs/m	48VDC	11.52 W/m	90+	1336 lm/m	949 lm/m	125mm	25mm	10 mm
				95+	1106 lm/m	785 lm/m				
	LN-H2835T-120	120pcs/m	24VDC	6.00 W/m	90+	588 lm/m	417 lm/m	50mm	21mm	10 mm
					95+	486 lm/m	345 lm/m			
Short Cut	FN-F2835A-120	120pcs/m	24VDC	21.60 W/m	90+	1922 lm/m	1365 lm/m	16.7mm	3.5mm	10 mm
					95+	1595 lm/m	1133 lm/m			



VERTICAL SURFACE MOUNTED - U LENS SERIES

► SL3515B32



Installation: Surface Mounted
 Length Available: 1-3m
 Profile Color: Silver, Black Anodized, White Powder Coating
 Lens: Opal, Diffuser, Clear
 Input Cable: Endcaps, Profile Bottom, Profile Sides
 Quick Female/Male Connectors Input cable & Junction Box available

VERTICAL SURFACE MOUNTED - U LENS SERIES

► SL3515B32

ORDERING CODE

LUMINAIRE	FINISH	LENS	Vol.	Power	Ra	CRI	INSTALL ACCS.	IP GRADE	CONTROL OPTOINS	
SL3515B32	W White	D Diffuser	12 12VDC	14.40W/m	90 90+	22-2200K, 24-2400K, 25-2500K 27-2700K, 30-3000K, 35-3500K 40-4000K, 50-5000K, 65-6500K	01 - Black&Red 22AWG 02 - Black&White 22AWG 03 - White PU protected 2 pin 04 - 3Pin cable for Tunable white	A - AMP male/female M - Molex male/female D - DC male/female	E - Through Endcaps B - Through profile end bottom S - Through profile side	
			24 24VDC	7.68W/m						
			36 36VDC	5.04W/m						
	B Black	O Opal	24 24VDC	5.04W/m	95 95+	22-2200K, 25-2500K, 27-2700K 30-3000K, 35-3500K, 40-4000K 50-5000K, 65-6500K				
			36 36VDC	2.40W/m						
			48 48VDC	5.76W/m						
	S Silver	C Clear	36 36VDC	11.52W/m	TW	Tunable White - check your executive sales				
				24.00W/m						
				28.80W/m	DZW					Dim To Warm - check your executive sales
				5.18W/m						
				6.00W/m						
				21.60W/m						

RECOMMEND LIGHT SOURCE

Performance	Part Code	LED QTY	Input Vol.	Power	CRI	Light Source Lumen	Diffuser Lens Lumen	Cutttable length	Max Run	PCB Width
General	FN-2835T-60	60pcs/m	12/24VDC	14.40 W/m	90+	1440 lm/m	1022 lm/m	12V=50mm 24V=100mm	12V=5m 24V=9m	10 mm
					95+	1238 lm/m	879 lm/m			
High Efficiency	FN-H2835T-64	64pcs/m	24VDC	7.68 W/m	90+	1029 lm/m	731 lm/m	125mm	5m	10 mm
					95+	968 lm/m	687 lm/m			
	FN-H28350-80	80pcs/m	24VDC	14.40W/m	90+	2275 lm/m	1615 lm/m	100mm	4m	10 mm
					95+	499 lm/m	354 lm/m			
Long Run	LN-2835T-60	60pcs/m	24VDC	5.04 W/m	90+	413 lm/m	293 lm/m	100mm	21m	10mm
					95+	230 lm/m	163 lm/m			
				2.4 W/m	90+	190 lm/m	135 lm/m	100mm	50mm	10 mm
					95+	668 lm/m	474 lm/m			
	LN-2835T-56	56pcs/m	48VDC	5.76 W/m	90+	553 lm/m	393 lm/m	250mm	35mm	10 mm
					95+	1239 lm/m	838 lm/m			
Short Cut	FN-F2835A-60	60pcs/m	24VDC	14.4 W/m	90+	979lm/m	695 lm/m	33.3mm	5.5mm	10 mm
					95+					

VERTICAL SURFACE MOUNTED - U LENS SERIES

► SL3515B32

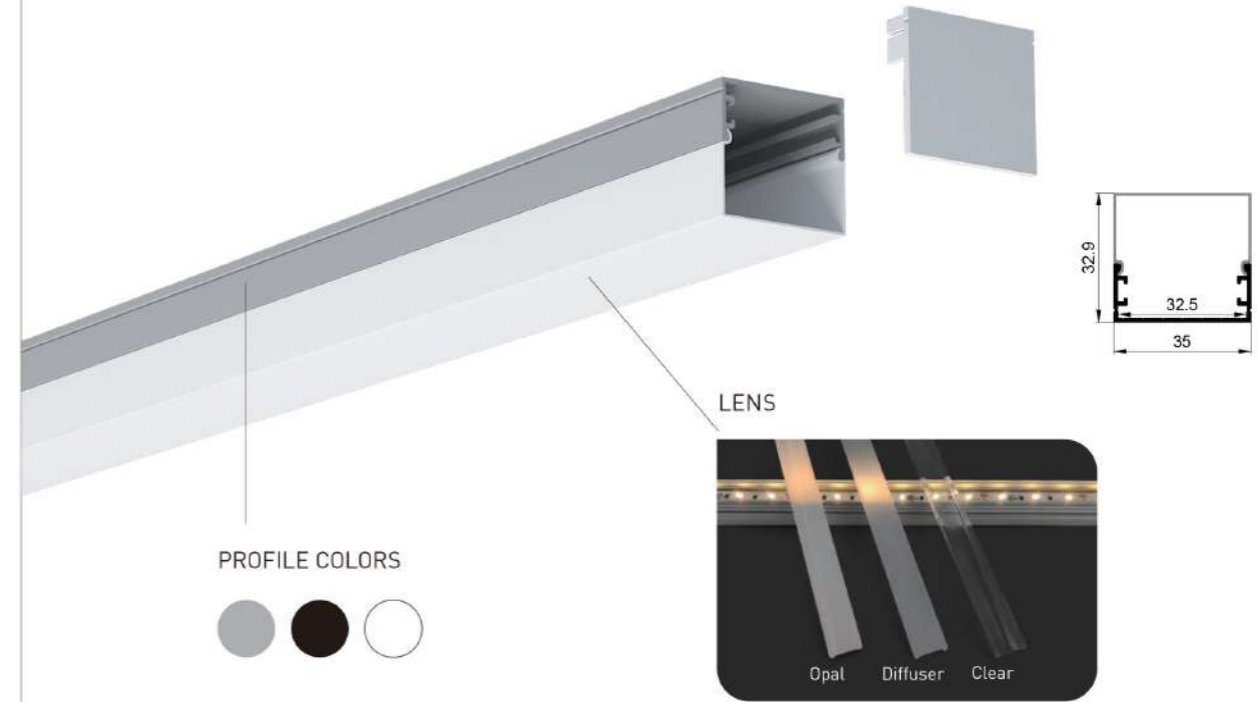
RECOMMEND LIGHT SOURCE

Performance	Part Code	LED QTY	Input Vol.	Power	CRI	Light Source Lumen	Diffuser Lens Lumen	Cuttable Length	Max Run	PCB Width
General	FN-H2835T-120	120pcs/m	12/24VDC	14.40 W/m	90+	1512 lm/m	1074 lm/m	12V=50mm 24V=50mm	12V=5m 24V=9m	10 mm
					95+	1282 lm/m	910 lm/m			
High Efficiency	FN-H2835T-128	128pcs/m	12/24VDC	11.52 W/m	90+	1613 lm/m	1145 lm/m	12V=31.2mm 24V=62.5mm	12V=3m 24V=6m	10 mm
					95+	1475 lm/m	1047 lm/m			
	FN-H28350-160	160pcs/m	24VDC	24 W/m	90+	3480 lm/m	2743 lm/m	50mm	3m	10 mm
					95+	1987 lm/m	1411 lm/m	12V=25mm 24V=50mm	12V=3mm 24V=5mm	
FN-H2835T-160	160pcs/m	12/24VDC	14.40 W/m	90+	1987 lm/m	1411 lm/m	12V=25mm 24V=50mm	12V=3mm 24V=5mm	10 mm	
				95+	1843 lm/m	1309 lm/m				
FN-H28350-192	192pcs/m	24VDC	28.8 W/m	90+	4176 lm/m	3292 lm/m	41.7mm	2.5m	10 mm	
Long Run	LN-H2835T-80	80pcs/m	36VDC	5.18W/m	90+	580 lm/m	412 lm/m	100mm	50mm	10 mm
					95+	482 lm/m	342 lm/m			
	LN-H2835T-112	112pcs/m	48VDC	11.52 W/m	90+	1336 lm/m	949 lm/m	125mm	25mm	10 mm
					95+	1106 lm/m	785 lm/m			
	LN-H2835T-120	120pcs/m	24VDC	6.00 W/m	90+	588 lm/m	417 lm/m	50mm	21mm	10 mm
					95+	486 lm/m	345 lm/m			
Short Cut	FN-F2835A-120	120pcs/m	24VDC	21.60 W/m	90+	1922 lm/m	1365 lm/m	16.7mm	3.5mm	10 mm
					95+	1595 lm/m	1133 lm/m			



VERTICAL SURFACE MOUNTED - U LENS SERIES

► SL3515C32



Installation: Surface Mounted
 Length Available: 1-3m
 Profile Color: Silver, Black Anodized, White Powder Coating
 Lens: Opal, Diffuser, Clear
 Input Cable: Endcaps, Profile Bottom, Profile Sides
 Quick Female/Male Connectors Input cable & Junction Box available

VERTICAL SURFACE MOUNTED - U LENS SERIES

► SL3515C32

ORDERING CODE

LUMINAIRE	FINISH	LENS	Vol.	Power	Ra	CRI	INSTALL ACCS.	IP GRADE	CONTROL OPTOINS
SL3515C32	W White	D Diffuser	12 12VDC	14.40W/m	90 90+	22-2200K, 24-2400K, 25-2500K 27-2700K, 30-3000K, 35-3500K 40-4000K, 50-5000K, 65-6500K	01 - Black&Red 22AWG	A - AMP male/female	E - Through Endcaps
			24 24VDC	7.68W/m					
	B Black	O Opal	24 24VDC	5.04W/m	95 95+	22-2200K, 25-2500K, 27-2700K 30-3000K, 35-3500K, 40-4000K 50-5000K, 65-6500K	02 - Black&White 22AWG	M - Molex male/female	B - Through profile end bottom
			36 36VDC	2.40W/m					
	S Silver	C Clear	36 36VDC	5.76W/m	TW	Tunable White - check your executive sales	03 - White PU protected 2 pin	D - DC male/female	S - Through profile side
			48 48VDC	11.52W/m					
				24.00W/m	D2W	Dim To Warm - check your executive sales	04 - 3Pin cable for Tunable white		
				28.80W/m					
				5.18W/m					
				6.00W/m					
			21.60W/m						

RECOMMEND LIGHT SOURCE

Performance	Part Code	LED QTY	Input Vol.	Power	CRI	Light Source Lumen	Diffuser Lens Lumen	Cutttable Length	Max Run	PCB Width
General	FN-2835T-60	60pcs/m	12/24VDC	14.40 W/m	90+	1440 lm/m	1022 lm/m	12V=50mm 24V=100mm	12V=5m 24V=9m	10 mm
					95+	1238 lm/m	879 lm/m			
High Efficiency	FN-H2835T-64	64pcs/m	24VDC	7.68 W/m	90+	1029 lm/m	731 lm/m	125mm	5m	10 mm
					95+	968 lm/m	687 lm/m			
	FN-H28350-80	80pcs/m	24VDC	14.40W/m	90+	2275 lm/m	1615 lm/m	100mm	4m	10 mm
Long Run	LN-2835T-60	60pcs/m	24VDC	5.04 W/m	90+	499 lm/m	354 lm/m	100mm	21m	10mm
					95+	413 lm/m	293 lm/m			
				2.4 W/m	90+	230 lm/m	163 lm/m	100mm	50mm	10 mm
					95+	190 lm/m	135 lm/m			
	LN-2835T-56	56pcs/m	48VDC	5.76 W/m	90+	668 lm/m	474 lm/m	250mm	35mm	10 mm
					95+	553 lm/m	393 lm/m			
Short Cut	FN-F2835A-60	60pcs/m	24VDC	14.4 W/m	90+	1239 lm/m	838 lm/m	33.3mm	5.5mm	10 mm
					95+	979lm/m	695 lm/m			

VERTICAL SURFACE MOUNTED - U LENS SERIES

► SL3515C32

RECOMMEND LIGHT SOURCE

Performance	Part Code	LED QTY	Input Vol.	Power	CRI	Light Source Lumen	Diffuser Lens Lumen	Cutttable Length	Max Run	PCB Width
General	FN-H2835T-120	120pcs/m	12/24VDC	14.40 W/m	90+	1512 lm/m	1074 lm/m	12V=50mm 24V=50mm	12V=5m 24V=9m	10 mm
					95+	1282 lm/m	910 lm/m			
High Efficiency	FN-H2835T-128	128pcs/m	12/24VDC	11.52 W/m	90+	1613 lm/m	1145 lm/m	12V=31.2mm 24V=62.5mm	12V=3m 24V=6m	10 mm
				95+	1475 lm/m	1047 lm/m				
	FN-H28350-160	160pcs/m	24VDC	24 W/m	90+	3480 lm/m	2743 lm/m	50mm	3m	10 mm
	FN-H2835T-160	160pcs/m	12/24VDC	14.40 W/m	90+	1987 lm/m	1411 lm/m	12V=25mm 24V=50mm	12V=3mm 24V=5mm	10 mm
			95+	1843 lm/m	1309 lm/m					
Long Run	LN-H2835T-80	80pcs/m	36VDC	5.18W/m	90+	580 lm/m	412 lm/m	100mm	50mm	10 mm
					95+	482 lm/m	342 lm/m			
	LN-H2835T-112	112pcs/m	48VDC	11.52 W/m	90+	1336 lm/m	949 lm/m	125mm	25mm	10 mm
					95+	1106 lm/m	785 lm/m			
	LN-H2835T-120	120pcs/m	24VDC	6.00 W/m	90+	588 lm/m	417 lm/m	50mm	21mm	10 mm
					95+	486 lm/m	345 lm/m			
Short Cut	FN-F2835A-120	120pcs/m	24VDC	21.60 W/m	90+	1922 lm/m	1365 lm/m	16.7mm	3.5mm	10 mm
					95+	1595 lm/m	1133 lm/m			

