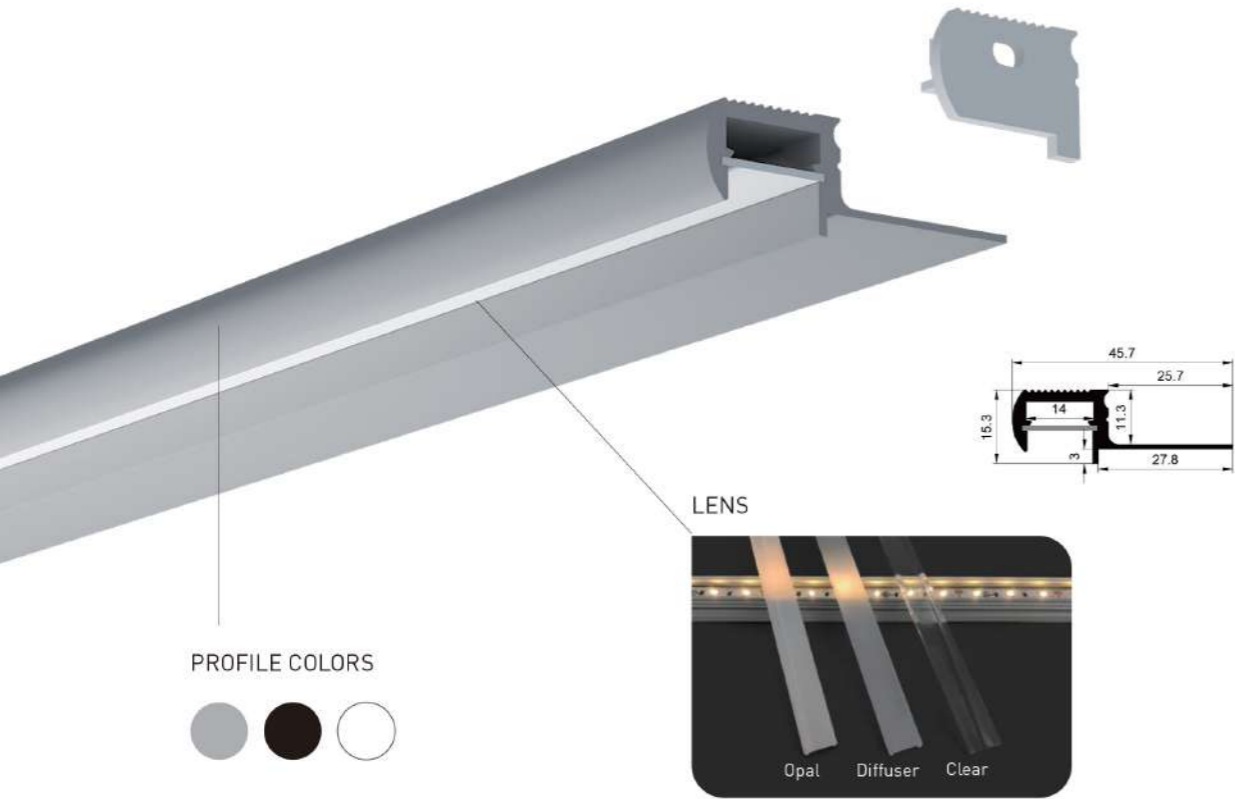


STAIRS SERIES

► SL451514



Installation: Stairs Recessed
 Length Available: 1-3m
 Profile Color: Silver, Black Anodized, White Powder Coating
 Lens: Opal, Diffuser, Clear
 Input Cable: Endcaps, Profile Bottom, Profile Sides
 Quick Female/Male Connectors Input cable & Junction Box available

STAIRS SERIES

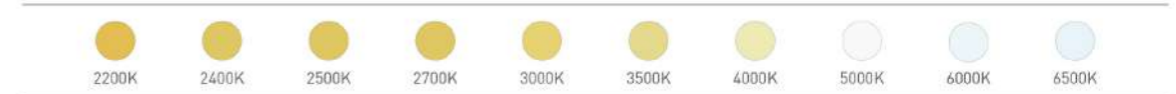
► SL451514

ORDERING CODE

LUMINAIRE	FINISH	LENS	Vol.	Power	Ra	CRI	INSTALL ACCS.	IP GRADE	CONTROL OPTOINS			
SL451514	W White	D Diffuser	24 24VDC	12.96W ± 10% 17.28W ± 10%	90 90+	22-2200K , 24-2400K 25-2500K , 27-2700K 30-3000K , 35-3500K 40-4000K , 50-5000K 65-6500K	01 - Black&Red 22AWG	A - AMP male/female	E - Through Endcaps			
	B Black	O Opal								02 - Black&White 22AWG	M - Molex male/female	B - Through profile end bottom
	S Silver	C Clear								03 - White PU protected 2 pin	D - DC male/female	S - Through profile side
					TW	Tunable White - check your executive sales						
					D2W	Dim To Warm - check your executive sales	04 - 3Pin cable for Tunable white					

RECOMMEND LIGHT SOURCE

Part Code	LED QTY	Input Vol.	Power	CRI	Light Source Lumen	Diffuser Lens Lumen	Cutttable length	Max Run	PCB Width
FN-2016-180	180pcs/m	24VDC	12.96W ± 10%	90+	1000 lm/m	450lm/m	33mm	3M	10mm
FN-2016-240	240pcs/m		17.28W ± 10%	90+	1300 lm/m	585 lm/m	25mm		



STAIRS SERIES

► SL452508



Installation: Stairs Surface Mounted
 Length Available: 1-3m
 Profile Color: Silver, Black Anodized, White Powder Coating
 Lens: Opal, Diffuser, Clear
 Input Cable: Endcaps, Profile Bottom, Profile Sides
 Quick Female/Male Connectors Input cable & Junction Box available

STAIRS SERIES

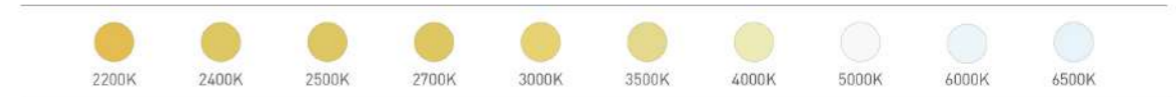
► SL452508

ORDERING CODE

LUMINAIRE	FINISH	LENS	Vol.	Power	Ra	CRI	INSTALL ACCS.	IP GRADE	CONTROL OPTOINS
SL452508	W White	D Diffuser	12 12VDC	4.8W/m	90 90+	22-2200K , 24-2400K , 25-2500K 27-2700K , 30-3000K , 35-3500K 40-4000K , 50-5000K , 65-6500K	01 - Black&Red 22AWG 02 - Black&White 22AWG 03 - White PU protected 2 pin 04 - 3Pin cable for Tunable white	A - AMP male/female M - Molex male/female D - DC male/female	E - Through Endcaps B - Through profile end bottom S - Through profile side
	B Black	O Opal	24 24VDC	9.6W/m	95 95+	22-2200K , 25-2500K , 27-2700K 30-3000K , 35-3500K , 40-4000K 50-5000K , 65-6500K			
	S Silver	C Clear		12.24W/m		TW Tunable White - check your executive sales			
				28.8W/m		D2W Dim To Warm - check your executive sales			

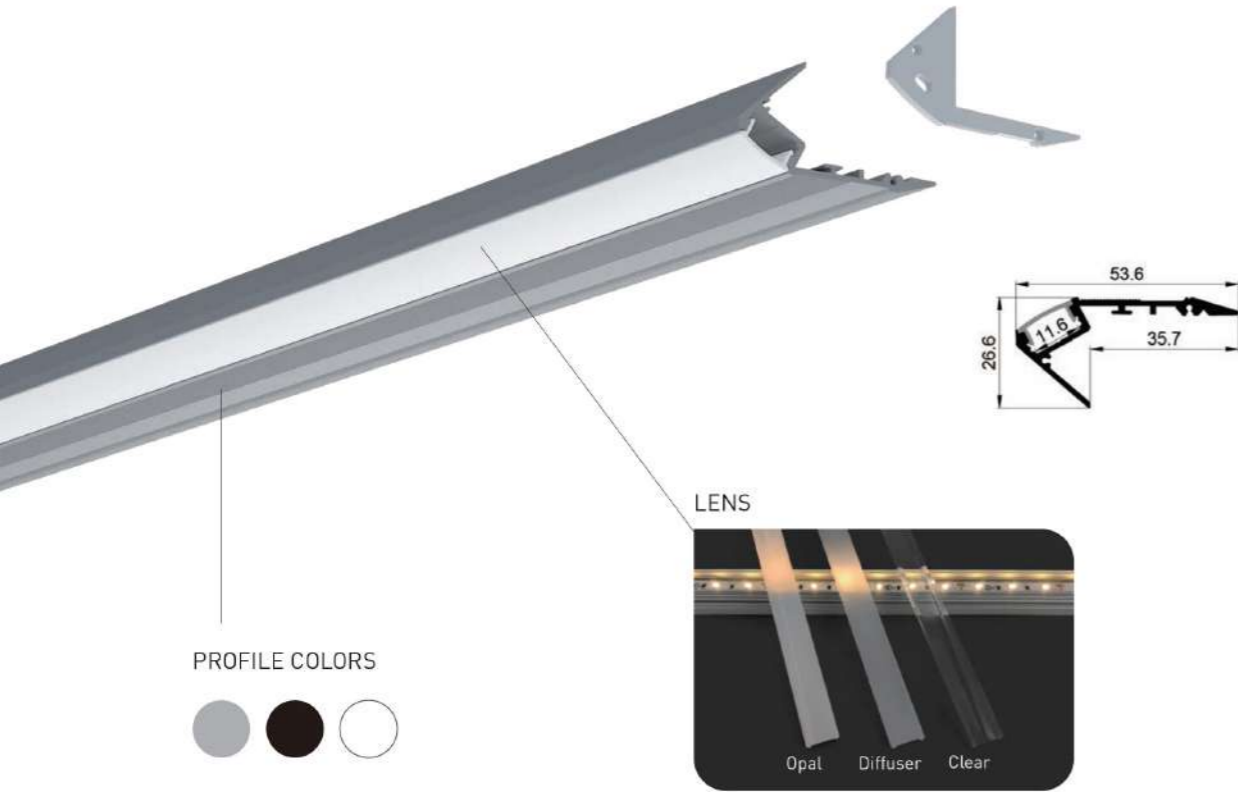
RECOMMEND LIGHT SOURCE

Part Code	LED QTY	Input Vol.	Power	CRI	Light Source Lumen	Diffuser Lens Lumen	Cuttable length	Max Run	PCB Width
MN-2835A-60	60pcs/m	12/24VDC	4.8 W/m	90+	478 lm/m	186 lm/m	12V=50mm 24V=100mm	12V=3m 24V=5m	5 mm
				95+	397 lm/m	155 lm/m			
MN-2835A-120	120pcs/m	12/24VDC	9.6 W/m	90+	956 lm/m	373 lm/m	12V=25mm 24V=50mm	12V=1.5m 24V=3m	4 mm
				95+	793 lm/m	309 lm/m			
MN-2110-238	238pcs/m	24VDC	12.24 W/m	90+	1126 lm/m	439 lm/m	29.4mm	2m	4 mm
				95+	935 lm/m	364 lm/m			
MN-5630A-60	60pcs/m	24VDC	28.8 W/m	90+	1900 lm/m	741 lm/m	100mm	2m	6 mm
				95+	1577 lm/m	615 lm/m			



STAIRS SERIES

► SL552811



Installation: Stairs Recessed
 Length Available: 1-3m
 Profile Color: Silver, Black Anodized, White Powder Coating
 Lens: Opal, Diffuser, Clear
 Input Cable: Endcaps, Profile Bottom, Profile Sides
 Quick Female/Male Connectors Input cable & Junction Box available

STAIRS SERIES

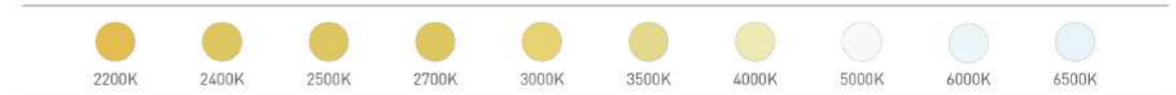
► SL552811

ORDERING CODE

LUMINAIRE	FINISH	LENS	VoL	Power	Ra	CRI	INSTALL ACCS.	IP GRADE	CONTROL OPTOINS
SL552811	W White	D Diffuser	24 24VDC	12.96W ± 10% 17.28W ± 10%	90 90+	22-2200K , 24-2400K 25-2500K , 27-2700K 30-3000K , 35-3500K 40-4000K , 50-5000K 65-6500K	01 - Black&Red 22AWG	A - AMP male/female	E - Through Endcaps
	B Black	O Opal					02 - Black&White 22AWG	M - Molex male/female	B - Through profile end bottom
	S Silver	C Clear				TW Tunable White - check your executive sales	03 - White PU protected 2 pin	D - DC male/female	S - Through profile side
						D2W Dim To Warm - check your executive sales	04 - 3Pin cable for Tunable white		

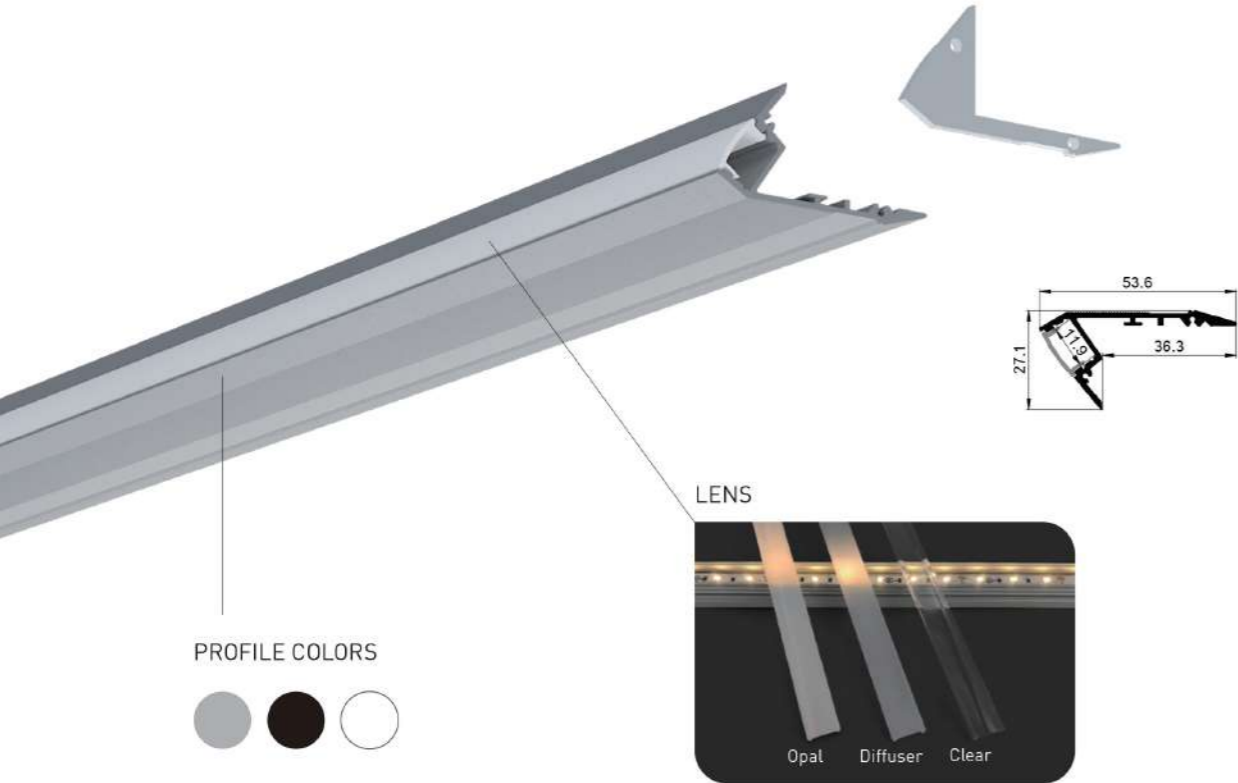
RECOMMEND LIGHT SOURCE

Part Code	LED QTY	Input VoL	Power	CRI	Light Source Lumen	Diffuser Lens Lumen	Cutttable length	Max Run	PCB Width
FN-2016-180	180pcs/m	24VDC	12.96W ± 10%	90+	1000 lm/m	450 lm/m	33mm	3M	10mm
FN-2016-240	240pcs/m		17.28W ± 10%	90+	1300 lm/m	585 lm/m	25mm		



STAIRS SERIES

► SL5528B11



Installation: Stairs Recessed
 Length Available: 1-3m
 Profile Color: Silver, Black Anodized, White Powder Coating
 Lens: Opal, Diffuser, Clear
 Input Cable: Endcaps, Profile Bottom, Profile Sides
 Quick Female/Male Connectors Input cable & Junction Box available

STAIRS SERIES

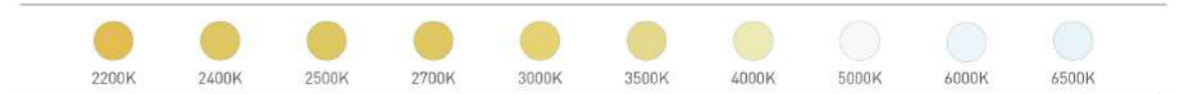
► SL5528B11

ORDERING CODE

LUMINAIRE	FINISH	LENS	Vol.	Power	Ra	CRI	INSTALL ACCS.	IP GRADE	CONTROL OPTOINS	
SL5528B11	W White	D Diffuser	24 24VDC	12.96W ± 10%	90 90+	22-2200K , 24-2400K 25-2500K , 27-2700K 30-3000K , 35-3500K 40-4000K , 50-5000K 65-6500K	01 - Black&Red 22AWG 02 - Black&White 22AWG 03 - White PU protected 2 pin 04 - 3Pin cable for Tunable white	A - AMP male/female M - Molex male/female D - DC male/female	E - Through Endcaps B - Through profile end bottom S - Through profile side	
	B Black	O Opal		17.28W ± 10%						TW Tunable White - check your executive sales
	S Silver	C Clear		D2W Dim To Warm - check your executive sales						

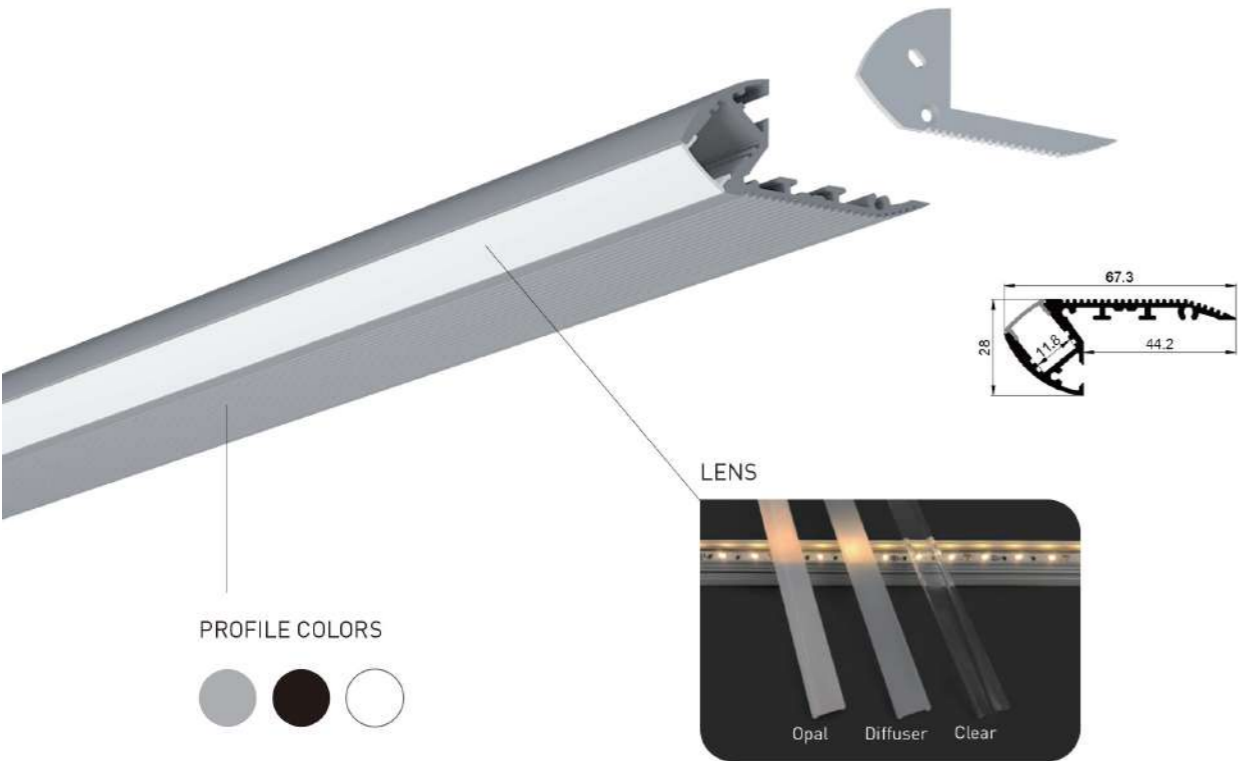
RECOMMEND LIGHT SOURCE

Part Code	LED QTY	Input Vol.	Power	CRI	Light Source Lumen	Diffuser Lens Lumen	Cuttable length	Max Run	PCB Width
FN-2016-180	180pcs/m	24VDC	12.96W ± 10%	90+	1000 lm/m	450 lm/m	33mm	3M	10mm
FN-2016-240	240pcs/m		17.28W ± 10%	90+	1300 lm/m	585 lm/m	25mm		



STAIRS SERIES

► SL662811



Installation: Stairs Recessed
 Length Available: 1-3m
 Profile Color: Silver, Black Anodized, White Powder Coating
 Lens: Opal, Diffuser, Clear
 Input Cable: Endcaps, Profile Bottom, Profile Sides
 Quick Female/Male Connectors Input cable & Junction Box available

STAIRS SERIES

► SL662811

ORDERING CODE

LUMINAIRE	FINISH	LENS	Vol.	Power	Ra	CRI	INSTALL ACCS.	IP GRADE	CONTROL OPTOINS
SL662811	W White	D Diffuser	24 24VDC	14.4W/m 11.52W/m 24W/m 28.8W/m 5.18W/m 6W/m 21.6W/m	90 90+	22-2200K , 24-2400K 25-2500K , 27-2700K 30-3000K , 35-3500K 40-4000K , 50-5000K 65-6500K	01 - Black&Red 22AWG 02 - Black&White 22AWG 03 - White PU protected 2 pin 04 - 3Pin cable for Tunable white	A - AMP male/female M - Molex male/female D - DC male/female	E - Through Endcaps B - Through profile end bottom S - Through profile side
						TW	Tunable White - check your executive sales		
						D2W	Dim To Warm - check your executive sales		

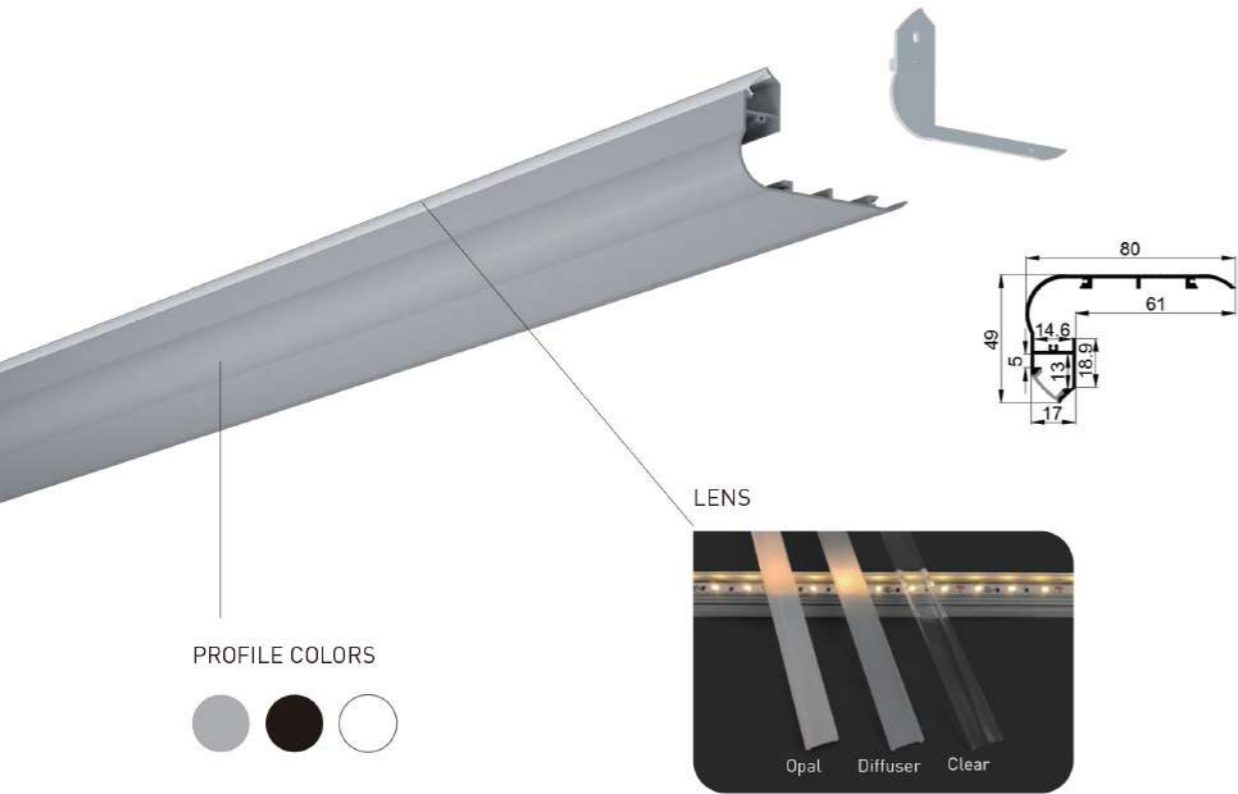
RECOMMEND LIGHT SOURCE

Performance	Part Code	LED QTY	Input Vol.	Power	CRI	Light Source Lumen	Diffuser Lens Lumen	Cuttable Length	Max Run	PCB Width
General	FN-H2835T-120	120pcs/m	12/24VDC	14.40 W/m	90+	1512 lm/m	680lm/m	12V=50mm 24V=50mm	12V=5m 24V=9m	10 mm
					95+	1282 lm/m	577lm/m			
High Efficiency	FN-H2835T-128	128pcs/m	12/24VDC	11.52 W/m	90+	1613 lm/m	726lm/m	12V=31.2mm 24V=62.5mm	12V=3m 24V=6m	10 mm
					95+	1475 lm/m	664lm/m			
	FN-H2835O-160	160pcs/m	24VDC	24 W/m	90+	3480 lm/m	1739lm/m	50mm	3m	10 mm
					95+	1843 lm/m	829lm/m	12V=25mm 24V=50mm	12V=3mm 24V=5mm	10 mm
Long Run	FN-H2835O-192	192pcs/m	24VDC	28.8 W/m	90+	4176 lm/m	2086lm/m	41.7mm	2.5m	10 mm
					95+	482 lm/m	217lm/m	100mm	50mm	10 mm
	LN-H2835T-80	80pcs/m	36VDC	5.18W/m	90+	580 lm/m	261lm/m	100mm	50mm	10 mm
					95+	482 lm/m	217lm/m			
	LN-H2835T-112	112pcs/m	48VDC	11.52 W/m	90+	1336 lm/m	601lm/m	125mm	25mm	10 mm
					95+	1106 lm/m	498lm/m			
LN-H2835T-120	120pcs/m	24VDC	6.00 W/m	90+	588 lm/m	265lm/m	50mm	21mm	10 mm	
				95+	486 lm/m	219lm/m				
Short Cut	FN-F2835A-120	120pcs/m	24VDC	21.60 W/m	90+	1922 lm/m	865lm/m	16.7mm	3.5mm	10 mm
					95+	1595 lm/m	718lm/m			



STAIRS SERIES

► SL805013



Installation: Stairs Recessed
 Length Available: 1-3m
 Profile Color: Silver, Black Anodized, White Powder Coating
 Lens: Opal, Diffuser, Clear
 Input Cable: Endcaps, Profile Bottom, Profile Sides
 Quick Female/Male Connectors Input cable & Junction Box available

STAIRS SERIES

► SL805013

ORDERING CODE

LUMINAIRE	FINISH	LENS	VoL	Power	Ra	CRI	INSTALL ACCS.	IP GRADE	CONTROL OPTOINS
SL805013	W White	D Diffuser	24 24VDC	14.4W/m	90 90+	22-2200K , 24-2400K 25-2500K , 27-2700K 30-3000K , 35-3500K 40-4000K , 50-5000K 65-6500K	01 - Black&Red 22AWG 02 - Black&White 22AWG 03 - White PU protected 2 pin 04 - 3Pin cable for Tunable white	A - AMP male/female M - Molex male/female D - DC male/female	E - Through Endcaps B - Through profile end bottom S - Through profile side
	B Black	O Opal		11.52W/m					
	S Silver	C Clear		24W/m					
				28.8W/m					
				5.18W/m					
				6W/m					
		21.6W/m							
				TW		Tunable White - check your executive sales			
				D2W		Dim To Warm - check your executive sales			

RECOMMEND LIGHT SOURCE

Performance	Part Code	LED QTY	Input Vol.	Power	CRI	Light Source Lumen	Diffuser Lens Lumen	Cuttable length	Max Run	PCB Width
General	FN-H2835T-120	120pcs/m	12/24VDC	14.40 W/m	90+	1512 lm/m	680lm/m	12V=50mm 24V=50mm	12V=5m 24V=9m	10 mm
					95+	1282 lm/m	577lm/m			
High Efficiency	FN-H2835T-128	128pcs/m	12/24VDC	11.52 W/m	90+	1613 lm/m	726lm/m	12V=31.2mm 24V=62.5mm	12V=3m 24V=6m	10 mm
					95+	1475 lm/m	664lm/m			
	FN-H28350-160	160pcs/m	24VDC	24 W/m	90+	3480 lm/m	1739lm/m	50mm	3m	10 mm
					95+	1987 lm/m	894lm/m	12V=25mm 24V=50mm	12V=3mm 24V=5mm	10 mm
FN-H28350-192	192pcs/m	24VDC	28.8 W/m	90+	4176 lm/m	2086lm/m	41.7mm	2.5m	10 mm	
				95+	482 lm/m	217lm/m	100mm	50mm	10 mm	
Long Run	LN-H2835T-80	80pcs/m	36VDC	5.18W/m	90+	580 lm/m	261lm/m	100mm	50mm	10 mm
					95+	482 lm/m	217lm/m			
	LN-H2835T-112	112pcs/m	48VDC	11.52 W/m	90+	1336 lm/m	601lm/m	125mm	25mm	10 mm
					95+	1106 lm/m	498lm/m			
	LN-H2835T-120	120pcs/m	24VDC	6.00 W/m	90+	588 lm/m	265lm/m	50mm	21mm	10 mm
					95+	486 lm/m	219lm/m			
Short Cut	FN-F2835A-120	120pcs/m	24VDC	21.60 W/m	90+	1922 lm/m	865lm/m	16.7mm	3.5mm	10 mm
					95+	1595 lm/m	718lm/m			

