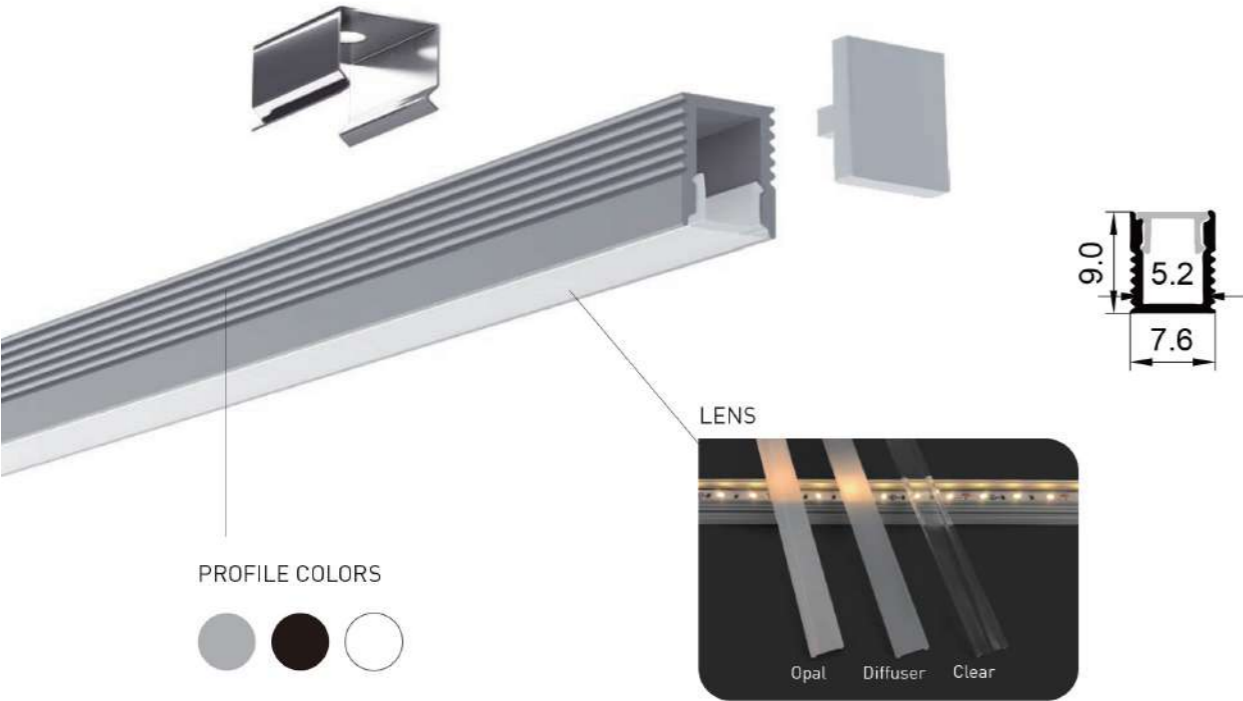


MINI SERIES

► SL080905



Installation: Surface Mounted
 Length Available: 1-3m
 Profile Color: Silver, Black Anodized, White Powder Coating
 Lens: Opal, Diffuser, Clear
 Input Cable: Endcaps, Profile Bottom, Profile Sides
 Quick Female/Male Connectors Input cable & Junction Box available

MINI SERIES

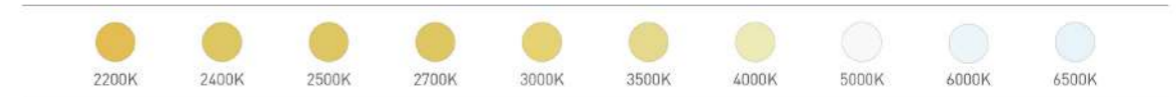
► SL080905

ORDERING CODE

LUMINAIRE	FINISH	LENS	Vol.	Power	Ra	CRI	INSTALL ACCS.	IP GRADE	CONTROL OPTOINS
SL080905	W White	D Diffuser	12 12VDC	4.8W/m	90	22-2200K, 24-2400K, 25-2500K 27-2700K, 30-3000K, 35-3500K 40-4000K, 50-5000K, 65-6500K	01 - Black&Red 22AWG 02 - Black&White 22AWG 03 - White PU protected 2 pin 04 - 3Pin cable for Tunable white	A - AMP male/female M - Molex male/female D - DC male/female	E - Through Endcaps B - Through profile end bottom S - Through profile side
	B Black	O Opal	24 24VDC	9.6W/m	95				
	S Silver	C Clear		12.24W/m	95+	TW Tunable White - check your executive sales			
				28.8W/m		D2W Dim To Warm - check your executive sales			

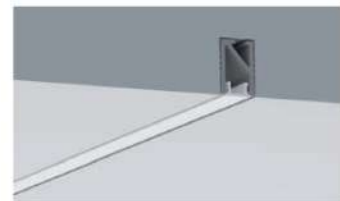
RECOMMEND LIGHT SOURCE

Part Code	LED QTY	Input Vol.	Power	CRI	Light Source Lumen	Diffuser Lens Lumen	Cutttable length	Max Run	PCB Width
MN-2835A-60	60pcs/m	12/24VDC	4.8 W/m	90+	478 lm/m	186 lm/m	12V=50mm 24V=100mm	12V=3m 24V=5m	5 mm
				95+	397 lm/m	155 lm/m			
MN-2835A-120	120pcs/m	12/24VDC	9.6 W/m	90+	956 lm/m	373 lm/m	12V=25mm 24V=50mm	12V=1.5m 24V=3m	4 mm
				95+	793 lm/m	309 lm/m			
MN-2110-238	238pcs/m	24VDC	12.24 W/m	90+	1126 lm/m	439 lm/m	29.4mm	2m	4 mm
				95+	935 lm/m	364 lm/m			
MN-5630A-60	60pcs/m	24VDC	28.8 W/m	90+	1900 lm/m	741 lm/m	100mm	2m	6 mm
				95+	1577 lm/m	615 lm/m			



MINI SERIES

► SL091208



Installation: Surface Mounted
 Length Available: 1-3m
 Profile Color: Silver, Black Anodized, White Powder Coating
 Lens: Opal, Diffuser, Clear
 Input Cable: Endcaps, Profile Bottom, Profile Sides
 Quick Female/Male Connectors Input cable & Junction Box available

MINI SERIES

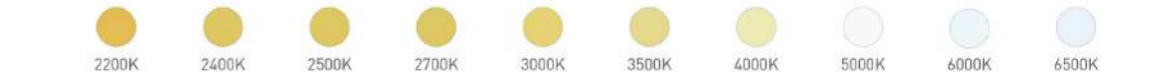
► SL091208

ORDERING CODE

LUMINAIRE	FINISH	LENS	VoL	Power	Ra	CRI	INSTALL ACCS.	IP GRADE	CONTROL OPTOINS
SL091208	W White	D Diffuser	12 12VDC	4.8W/m	90 90+	22-2200K , 24-2400K , 25-2500K 27-2700K , 30-3000K , 35-3500K 40-4000K , 50-5000K , 65-6500K	01 - Black&Red 22AWG 02 - Black&White 22AWG 03 - White PU protected 2 pin 04 - 3Pin cable for Tunable white	A - AMP male/female M - Molex male/female D - DC male/female	E - Through Endcaps B - Through profile end bottom S - Through profile side
	B Black	O Opal	24 24VDC	9.6W/m					
	S Silver	C Clear		12.24W/m	95 95+	22-2200K , 25-2500K , 27-2700K 30-3000K , 35-3500K , 40-4000K 50-5000K , 65-6500K			
				28.8W/m	TW	Tunable White - check your executive sales			
					D2W	Dim To Warm - check your executive sales			

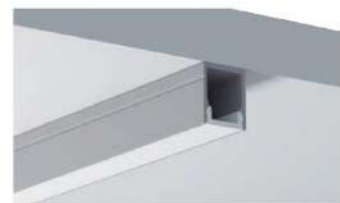
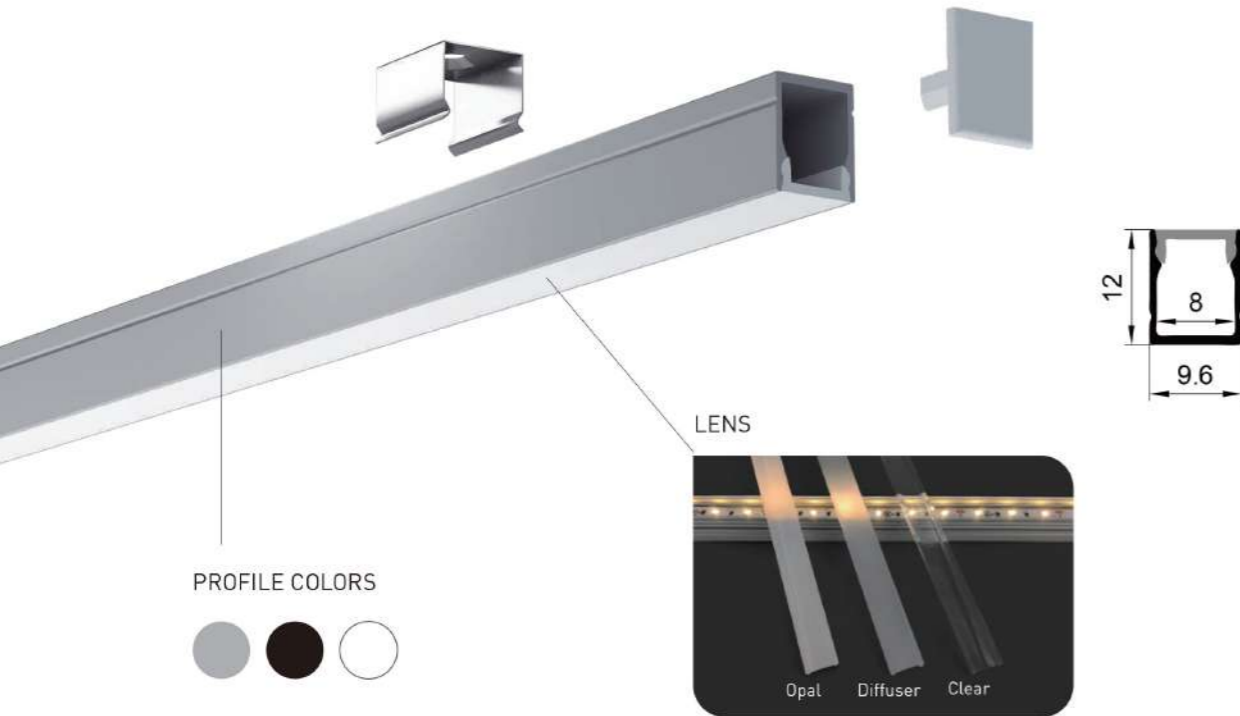
RECOMMEND LIGHT SOURCE

Part Code	LED QTY	Input Vol.	Power	CRI	Light Source Lumen	Diffuser Lens Lumen	Cuttable length	Max Run	PCB Width
MN-2835A-60	60pcs/m	12/24VDC	4.8 W/m	90+	478 lm/m	186 lm/m	12V=50mm 24V=100mm	12V=3m 24V=5m	5 mm
				95+	397 lm/m	155 lm/m			
MN-2835A-120	120pcs/m	12/24VDC	9.6 W/m	90+	956 lm/m	373 lm/m	12V=25mm 24V=50mm	12V=1.5m 24V=3m	4 mm
				95+	793 lm/m	309 lm/m			
MN-2110-238	238pcs/m	24VDC	12.24 W/m	90+	1126 lm/m	439 lm/m	29.4mm	2m	4 mm
				95+	935 lm/m	364 lm/m			
MN-5630A-60	60pcs/m	24VDC	28.8 W/m	90+	1900 lm/m	741 lm/m	100mm	2m	6 mm
				95+	1577 lm/m	615 lm/m			



MINI SERIES

► SL101208



Installation: Surface Mounted
 Length Available: 1-3m
 Profile Color: Silver, Black Anodized, White Powder Coating
 Lens: Opal, Diffuser, Clear
 Input Cable: Endcaps, Profile Bottom, Profile Sides
 Quick Female/Male Connectors Input cable & Junction Box available

MINI SERIES

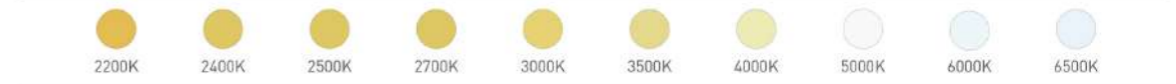
► SL101208

ORDERING CODE

LUMINAIRE	FINISH	LENS	VoL	Power	Ra	CRI	INSTALL ACCS.	IP GRADE	CONTROL OPTOINS
SL101208	W White	D Diffuser	12 12VDC	4.8W/m	90 90+	22-2200K, 24-2400K, 25-2500K 27-2700K, 30-3000K, 35-3500K 40-4000K, 50-5000K, 65-6500K	01 - Black&Red 22AWG 02 - Black&White 22AWG 03 - White PU protected 2 pin 04 - 3Pin cable for Tunable white	A - AMP male/female M - Molex male/female D - DC male/female	E - Through Endcaps B - Through profile end bottom S - Through profile side
	B Black	O Opal	24 24VDC	9.6W/m					
	S Silver	C Clear		12.24W/m	95 95+	22-2200K, 25-2500K, 27-2700K 30-3000K, 35-3500K, 40-4000K 50-5000K, 65-6500K			
				28.8W/m					
				D2W Dim To Warm - check your executive sales					

RECOMMEND LIGHT SOURCE

Part Code	LED QTY	Input Vol.	Power	CRI	Light Source Lumen	Diffuser Lens Lumen	Cuttable length	Max Run	PCB Width
MN-2835A-60	60pcs/m	12/24VDC	4.8 W/m	90+	478 lm/m	186 lm/m	12V=50mm 24V=100mm	12V=3m 24V=5m	5 mm
				95+	397 lm/m	155 lm/m			
MN-2835A-120	120pcs/m	12/24VDC	9.6 W/m	90+	956 lm/m	373 lm/m	12V=25mm 24V=50mm	12V=1.5m 24V=3m	4 mm
				95+	793 lm/m	309 lm/m			
MN-2110-238	238pcs/m	24VDC	12.24 W/m	90+	1126 lm/m	439 lm/m	29.4mm	2m	4 mm
				95+	935 lm/m	364 lm/m			
MN-5630A-60	60pcs/m	24VDC	28.8 W/m	90+	1900 lm/m	741 lm/m	100mm	2m	6 mm
				95+	1577 lm/m	615 lm/m			



MINI SERIES

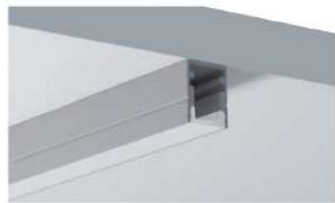
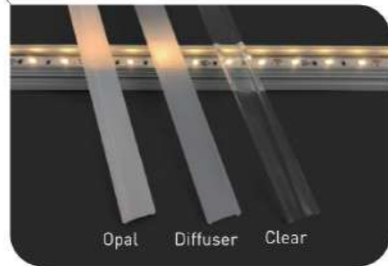
► SL1012B08



PROFILE COLORS



LENS



Installation: Surface Mounted
 Length Available: 1-3m
 Profile Color: Silver, Black Anodized, White Powder Coating
 Lens: Opal, Diffuser, Clear
 Input Cable: Endcaps, Profile Bottom, Profile Sides
 Quick Female/Male Connectors Input cable & Junction Box available

MINI SERIES

► SL1012B08

ORDERING CODE

LUMINAIRE	FINISH	LENS	VoL	Power	Ra	CRI	INSTALL ACCS.	IP GRADE	CONTROL OPTOINS
SL1012B08	W White	D Diffuser	12 12VDC	4.8W/m	90 90+	22-2200K, 24-2400K, 25-2500K 27-2700K, 30-3000K, 35-3500K 40-4000K, 50-5000K, 65-6500K	01 - Black&Red 22AWG	A - AMP male/female M - Molex male/female D - DC male/female	E - Through Endcaps B - Through profile end bottom S - Through profile side
	B Black	O Opal	24 24VDC	9.6W/m	95 95+	22-2200K, 25-2500K, 27-2700K 30-3000K, 35-3500K, 40-4000K 50-5000K, 65-6500K	02 - Black&White 22AWG		
	S Silver	C Clear		12.24W/m			03 - White PU protected 2 pin		
				28.8W/m			04 - 3Pin cable for Tunable white		
					TW	Tunable White - check your executive sales			
					D2W	Dim To Warm - check your executive sales			

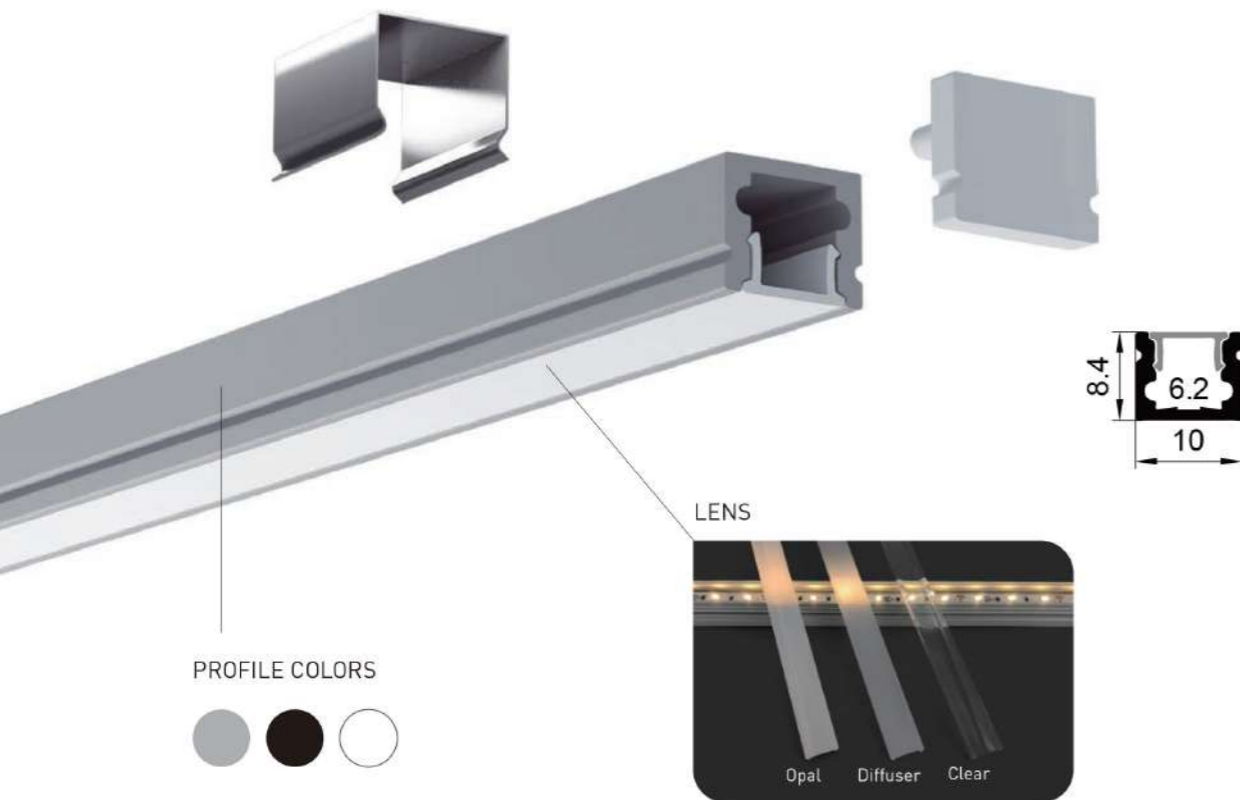
RECOMMEND LIGHT SOURCE

Part Code	LED QTY	Input Vol.	Power	CRI	Light Source Lumen	Diffuser Lens Lumen	Cuttable length	Max Run	PCB Width
MN-2835A-60	60pcs/m	12/24VDC	4.8 W/m	90+	478 lm/m	186 lm/m	12V=50mm 24V=100mm	12V=3m 24V=5m	5 mm
				95+	397 lm/m	155 lm/m			
MN-2835A-120	120pcs/m	12/24VDC	9.6 W/m	90+	956 lm/m	373 lm/m	12V=25mm 24V=50mm	12V=1.5m 24V=3m	4 mm
				95+	793 lm/m	309 lm/m			
MN-2110-238	238pcs/m	24VDC	12.24 W/m	90+	1126 lm/m	439 lm/m	29.4mm	2m	4 mm
				95+	935 lm/m	364 lm/m			
MN-5630A-60	60pcs/m	24VDC	28.8 W/m	90+	1900 lm/m	741 lm/m	100mm	2m	6 mm
				95+	1577 lm/m	615 lm/m			



MINI SERIES

► SL100806



PROFILE COLORS



Opal Diffuser Clear



Installation: Surface Mounted
 Length Available: 1-3m
 Profile Color: Silver, Black Anodized, White Powder Coating
 Lens: Opal, Diffuser, Clear
 Input Cable: Endcaps, Profile Bottom, Profile Sides
 Quick Female/Male Connectors Input cable & Junction Box available

MINI SERIES

► SL100806

ORDERING CODE

LUMINAIRE	FINISH	LENS	VoL	Power	Ra	CRI	INSTALL ACCS.	IP GRADE	CONTROL OPTOINS
SL100806	W White	D Diffuser	12 12VDC	4.8W/m	90 90+	22-2200K , 24-2400K , 25-2500K 27-2700K , 30-3000K , 35-3500K 40-4000K , 50-5000K , 65-6500K	01 - Black&Red 22AWG	A - AMP male/female M - Molex male/female D - DC male/female	E - Through Endcaps B - Through profile end bottom S - Through profile side
	B Black	O Opal	24 24VDC	9.6W/m	95 95+	22-2200K , 25-2500K , 27-2700K 30-3000K , 35-3500K , 40-4000K 50-5000K , 65-6500K	02 - Black&White 22AWG		
	S Silver	C Clear		12.24W/m			03 - White PU protected 2 pin		
				28.8W/m			04 - 3Pin cable for Tunable white		
					TW	Tunable White - check your executive sales			
					D2W	Dim To Warm - check your executive sales			

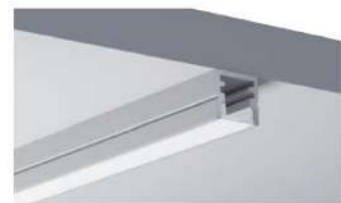
RECOMMEND LIGHT SOURCE

Part Code	LED QTY	Input VoL	Power	CRI	Light Source Lumen	Diffuser Lens Lumen	Cuttable length	Max Run	PCB Width
MN-2835A-60	60pcs/m	12/24VDC	4.8 W/m	90+	478 lm/m	186 lm/m	12V=50mm 24V=100mm	12V=3m 24V=5m	5 mm
				95+	397 lm/m	155 lm/m			
MN-2835A-120	120pcs/m	12/24VDC	9.6 W/m	90+	956 lm/m	373 lm/m	12V=25mm 24V=50mm	12V=1.5m 24V=3m	4 mm
				95+	793 lm/m	309 lm/m			
MN-2110-238	238pcs/m	24VDC	12.24 W/m	90+	1126 lm/m	439 lm/m	29.4mm	2m	4 mm
				95+	935 lm/m	364 lm/m			
MN-5630A-60	60pcs/m	24VDC	28.8 W/m	90+	1900 lm/m	741 lm/m	100mm	2m	6 mm
				95+	1577 lm/m	615 lm/m			



MINI SERIES

► SL1010K08



Installation: Surface Mounted
 Length Available: 1-3m
 Profile Color: Silver, Black Anodized, White Powder Coating
 Lens: Opal, Diffuser, Clear
 Input Cable: Endcaps, Profile Bottom, Profile Sides
 Quick Female/Male Connectors Input cable & Junction Box available

MINI SERIES

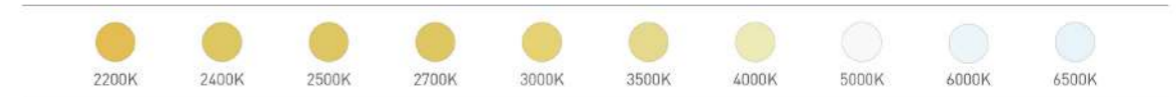
► SL1010K08

ORDERING CODE

LUMINAIRE	FINISH	LENS	VoL	Power	Ra	CRI	INSTALL ACCS.	IP GRADE	CONTROL OPTOINS
SL1010K08	W White	D Diffuser	12 12VDC	4.8W/m	90 90+	22-2200K, 24-2400K, 25-2500K 27-2700K, 30-3000K, 35-3500K 40-4000K, 50-5000K, 65-6500K	01 - Black&Red 22AWG 02 - Black&White 22AWG 03 - White PU protected 2 pin 04 - 3Pin cable for Tunable white	A - AMP male/female M - Molex male/female D - DC male/female	E - Through Endcaps B - Through profile end bottom S - Through profile side
	B Black	O Opal	24 24VDC	9.6W/m	95 95+	22-2200K, 25-2500K, 27-2700K 30-3000K, 35-3500K, 40-4000K 50-5000K, 65-6500K			
	S Silver	C Clear		12.24W/m		TW Tunable White - check your executive sales			
				28.8W/m		D2W Dim To Warm - check your executive sales			

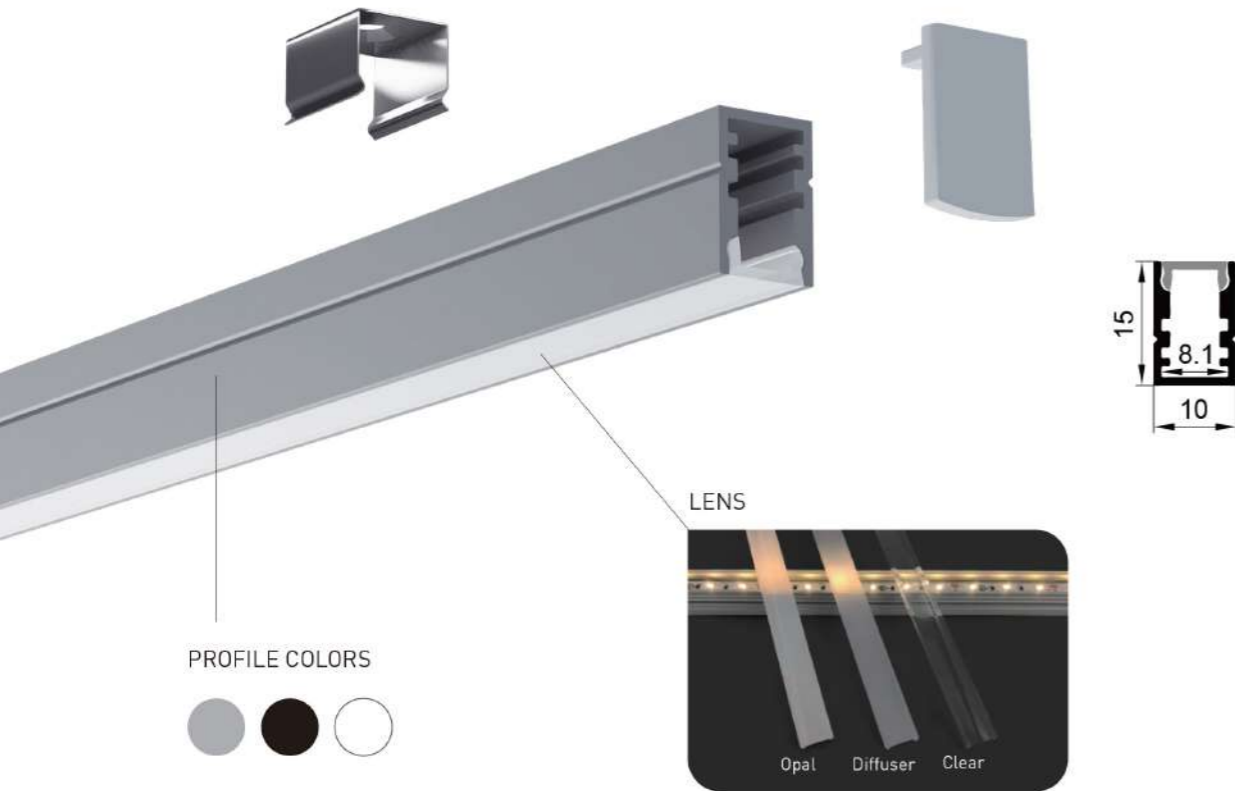
RECOMMEND LIGHT SOURCE

Part Code	LED QTY	Input VoL	Power	CRI	Light Source Lumen	Diffuser Lens Lumen	Cutttable length	Max Run	PCB Width
MN-2835A-60	60pcs/m	12/24VDC	4.8 W/m	90+	478 lm/m	186 lm/m	12V=50mm 24V=100mm	12V=3m 24V=5m	5 mm
				95+	397 lm/m	155 lm/m			
MN-2835A-120	120pcs/m	12/24VDC	9.6 W/m	90+	956 lm/m	373 lm/m	12V=25mm 24V=50mm	12V=1.5m 24V=3m	4 mm
				95+	793 lm/m	309 lm/m			
MN-2110-238	238pcs/m	24VDC	12.24 W/m	90+	1126 lm/m	439 lm/m	29.4mm	2m	4 mm
				95+	935 lm/m	364 lm/m			
MN-5630A-60	60pcs/m	24VDC	28.8 W/m	90+	1900 lm/m	741 lm/m	100mm	2m	6 mm
				95+	1577 lm/m	615 lm/m			



MINI SERIES

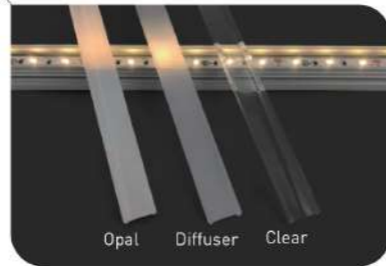
► SL1015K08



PROFILE COLORS



LENS



Installation: Surface Mounted
 Length Available: 1-3m
 Profile Color: Silver, Black Anodized, White Powder Coating
 Lens: Opal, Diffuser, Clear
 Input Cable: Endcaps, Profile Bottom, Profile Sides
 Quick Female/Male Connectors Input cable & Junction Box available

MINI SERIES

► SL1015K08

ORDERING CODE

LUMINAIRE	FINISH	LENS	Vol.	Power	Ra	CRI	INSTALL ACCS.	IP GRADE	CONTROL OPTAINS
SL1015K08	W White	D Diffuser	12 12VDC	4.8W/m	90 90+	22-2200K , 24-2400K , 25-2500K 27-2700K , 30-3000K , 35-3500K 40-4000K , 50-5000K , 65-6500K	01 - Black&Red 22AWG	A - AMP male/female M - Molex male/female D - DC male/female	E - Through Endcaps B - Through profile end bottom S - Through profile side
	B Black	O Opal	24 24VDC	9.6W/m	95 95+	22-2200K , 25-2500K , 27-2700K 30-3000K , 35-3500K , 40-4000K 50-5000K , 65-6500K	02 - Black&White 22AWG		
	S Silver	C Clear		12.24W/m			03 - White PU protected 2 pin		
				28.8W/m			04 - 3Pin cable for Tunable white		
					TW	Tunable White - check your executive sales			
					D2W	Dim To Warm - check your executive sales			

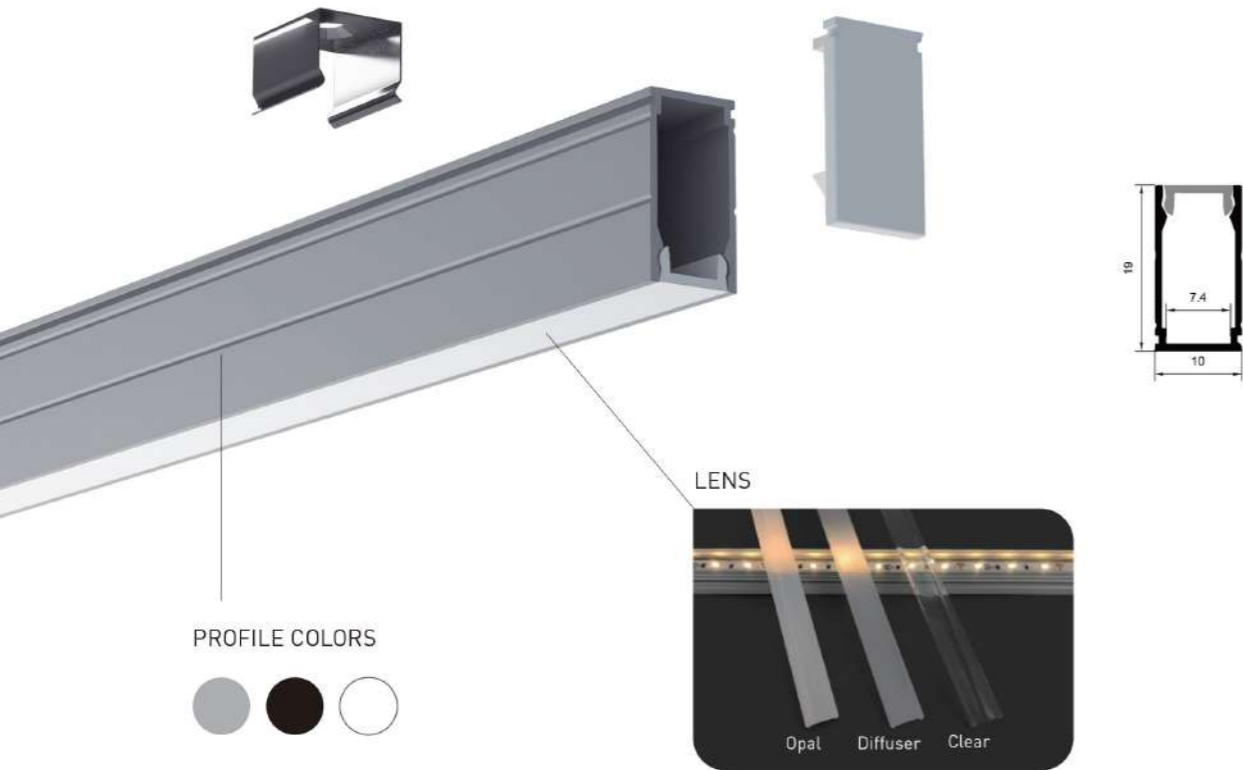
RECOMMEND LIGHT SOURCE

Part Code	LED QTY	Input Vol.	Power	CRI	Light Source Lumen	Diffuser Lens Lumen	Cutttable length	Max Run	PCB Width
MN-2835A-60	60pcs/m	12/24VDC	4.8 W/m	90+	478 lm/m	186 lm/m	12V=50mm 24V=100mm	12V=3m 24V=5m	5 mm
				95+	397 lm/m	155 lm/m			
MN-2835A-120	120pcs/m	12/24VDC	9.6 W/m	90+	956 lm/m	373 lm/m	12V=25mm 24V=50mm	12V=1.5m 24V=3m	4 mm
				95+	793 lm/m	309 lm/m			
MN-2110-238	238pcs/m	24VDC	12.24 W/m	90+	1126 lm/m	439 lm/m	29.4mm	2m	4 mm
				95+	935 lm/m	364 lm/m			
MN-5630A-60	60pcs/m	24VDC	28.8 W/m	90+	1900 lm/m	741 lm/m	100mm	2m	6 mm
				95+	1577 lm/m	615 lm/m			



MINI SERIES

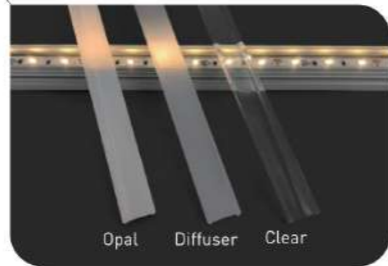
► SL1019K07



PROFILE COLORS



LENS



Installation: Surface Mounted
 Length Available: 1-3m
 Profile Color: Silver, Black Anodized, White Powder Coating
 Lens: Opal, Diffuser, Clear
 Input Cable: Endcaps, Profile Bottom, Profile Sides
 Quick Female/Male Connectors Input cable & Junction Box available

MINI SERIES

► SL1019K07

ORDERING CODE

LUMINAIRE	FINISH	LENS	VoL	Power	Ra	CRI	INSTALL ACCS.	IP GRADE	CONTROL OPTOINS
SL1019K07	W White	D Diffuser	12 12VDC	4.8W/m	90 90+	22-2200K, 24-2400K, 25-2500K 27-2700K, 30-3000K, 35-3500K 40-4000K, 50-5000K, 65-6500K	01 - Black&Red 22AWG 02 - Black&White 22AWG 03 - White PU protected 2 pin 04 - 3Pin cable for Tunable white	A - AMP male/female M - Molex male/female D - DC male/female	E - Through Endcaps B - Through profile end bottom S - Through profile side
	B Black	O Opal	24 24VDC	9.6W/m					
	S Silver	C Clear		12.24W/m	TW	Tunable White - check your executive sales			
				28.8W/m	D2W	Dim To Warm - check your executive sales			

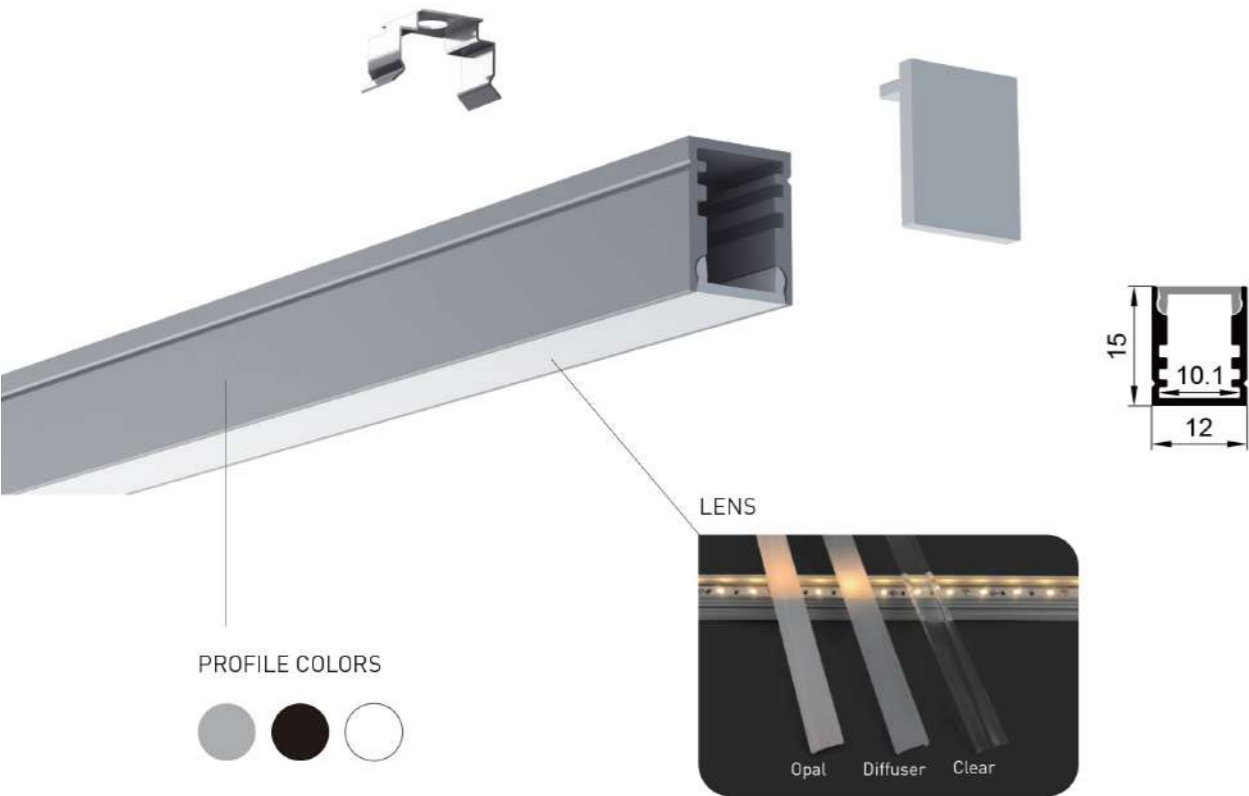
RECOMMEND LIGHT SOURCE

Part Code	LED QTY	Input Vol.	Power	CRI	Light Source Lumen	Diffuser Lens Lumen	Cuttable length	Max Run	PCB Width
MN-2835A-60	60pcs/m	12/24VDC	4.8 W/m	90+	478 lm/m	186 lm/m	12V=50mm 24V=100mm	12V=3m 24V=5m	5 mm
				95+	397 lm/m	155 lm/m			
MN-2835A-120	120pcs/m	12/24VDC	9.6 W/m	90+	956 lm/m	373 lm/m	12V=25mm 24V=50mm	12V=1.5m 24V=3m	4 mm
				95+	793 lm/m	309 lm/m			
MN-2110-238	238pcs/m	24VDC	12.24 W/m	90+	1126 lm/m	439 lm/m	29.4mm	2m	4 mm
				95+	935 lm/m	364 lm/m			
MN-5630A-60	60pcs/m	24VDC	28.8 W/m	90+	1900 lm/m	741 lm/m	100mm	2m	6 mm
				95+	1577 lm/m	615 lm/m			



MINI SERIES

► SL1215K10



Installation: Surface Mounted
 Length Available: 1-3m
 Profile Color: Silver, Black Anodized, White Powder Coating
 Lens: Opal, Diffuser, Clear
 Input Cable: Endcaps, Profile Bottom, Profile Sides
 Quick Female/Male Connectors Input cable & Junction Box available

MINI SERIES

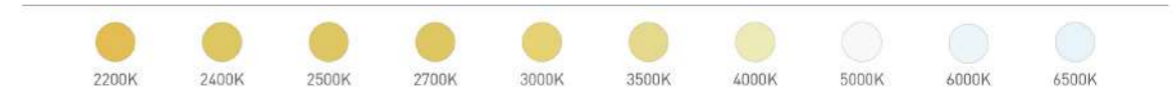
► SL1215K10

ORDERING CODE

LUMINAIRE	FINISH	LENS	VoL	Power	Ra	CRI	INSTALL ACCS.	IP GRADE	CONTROL OPTOINS
SL1215K10	W White	D Diffuser	12 12VDC	4.8W/m	90 90+	22-2200K, 24-2400K, 25-2500K 27-2700K, 30-3000K, 35-3500K 40-4000K, 50-5000K, 65-6500K	01 - Black&Red 22AWG	A - AMP male/female M - Molex male/female D - DC male/female	E - Through Endcaps B - Through profile end bottom S - Through profile side
	B Black	O Opal	24 24VDC	12.24W/m	95 95+	22-2200K, 25-2500K, 27-2700K 30-3000K, 35-3500K, 40-4000K 50-5000K, 65-6500K	02 - Black&White 22AWG		
	S Silver	C Clear		28.8W/m		TW Tunable White - check your executive sales	03 - White PU protected 2 pin		
						D2W Dim To Warm - check your executive sales	04 - 3Pin cable for Tunable white		

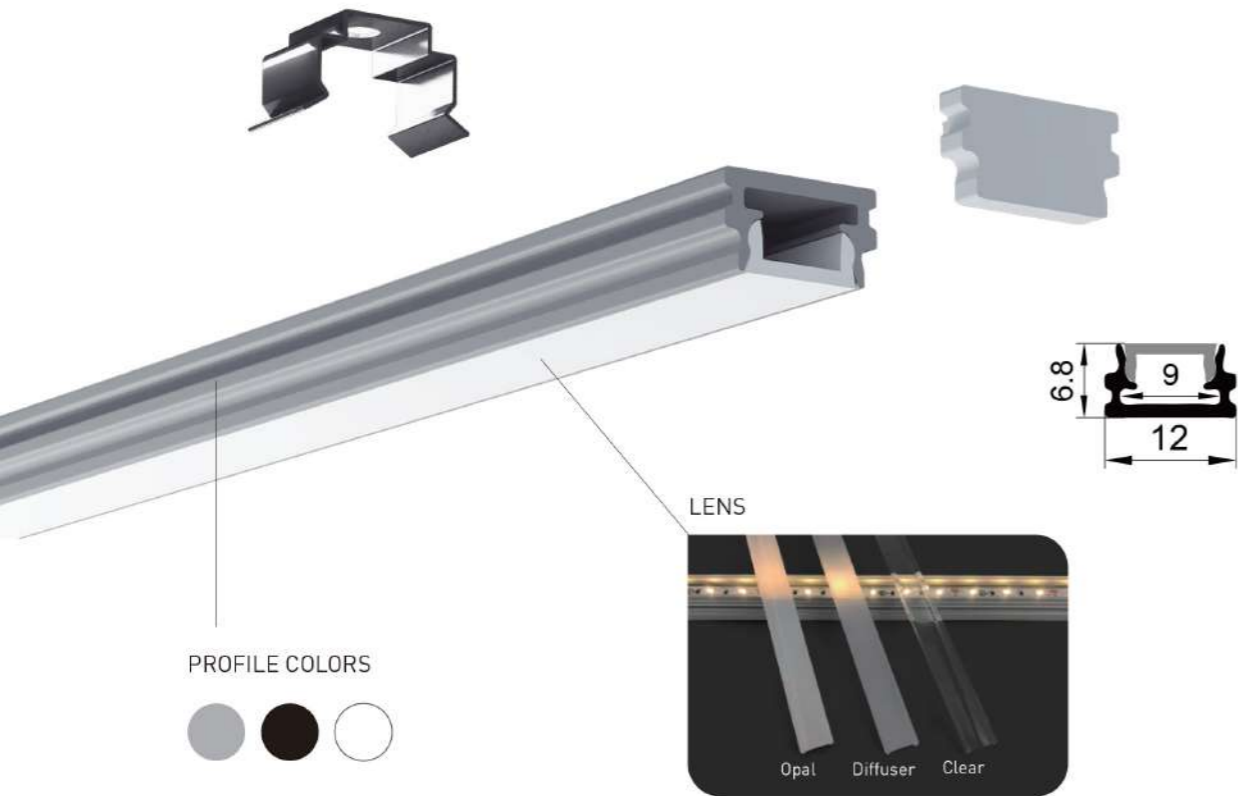
RECOMMEND LIGHT SOURCE

Part Code	LED QTY	Input VoL	Power	CRI	Light Source Lumen	Diffuser Lens Lumen	Cutttable length	Max Run	PCB Width
MN-2835A-60	60pcs/m	12/24VDC	4.8 W/m	90+	478 lm/m	186 lm/m	12V=50mm 24V=100mm	12V=3m 24V=5m	5 mm
				95+	397 lm/m	155 lm/m			
MN-2835A-120	120pcs/m	12/24VDC	9.6 W/m	90+	956 lm/m	373 lm/m	12V=25mm 24V=50mm	12V=1.5m 24V=3m	4 mm
				95+	793 lm/m	309 lm/m			
MN-2110-238	238pcs/m	24VDC	12.24 W/m	90+	1126 lm/m	439 lm/m	29.4mm	2m	4 mm
				95+	935 lm/m	364 lm/m			
MN-5630A-60	60pcs/m	24VDC	28.8 W/m	90+	1900 lm/m	741 lm/m	100mm	2m	6 mm
				95+	1577 lm/m	615 lm/m			



MINI SERIES

► SL110709



Installation: Surface Mounted
 Length Available: 1-3m
 Profile Color: Silver, Black Anodized, White Powder Coating
 Lens: Opal, Diffuser, Clear
 Input Cable: Endcaps, Profile Bottom, Profile Sides
 Quick Female/Male Connectors Input cable & Junction Box available

MINI SERIES

► SL110709

ORDERING CODE

LUMINAIRE	FINISH	LENS	Vol.	Power	Ra	CRI	INSTALL ACCS.	IP GRADE	CONTROL OPTAINS
SL110709	W White	D Diffuser	12 12VDC	4.8W/m	90	22-2200K , 24-2400K , 25-2500K 27-2700K , 30-3000K , 35-3500K 40-4000K , 50-5000K , 65-6500K	01 - Black&Red 22AWG	A - AMP male/female M - Molex male/female D - DC male/female	E - Through Endcaps B - Through profile end bottom S - Through profile side
	B Black	O Opal	24 24VDC	9.6W/m	95				
	S Silver	C Clear		12.24W/m	95+	TW Tunable White - check your executive sales	03 - White PU protected 2 pin		
				28.8W/m		D2W Dim To Warm - check your executive sales	04 - 3Pin cable for Tunable white		

RECOMMEND LIGHT SOURCE

Part Code	LED QTY	Input Vol.	Power	CRI	Light Source Lumen	Diffuser Lens Lumen	Cutable length	Max Run	PCB Width
MN-2835A-60	60pcs/m	12/24VDC	4.8 W/m	90+	478 lm/m	186 lm/m	12V=50mm 24V=100mm	12V=3m 24V=5m	5 mm
				95+	397 lm/m	155 lm/m			
MN-2835A-120	120pcs/m	12/24VDC	9.6 W/m	90+	956 lm/m	373 lm/m	12V=25mm 24V=50mm	12V=1.5m 24V=3m	4 mm
				95+	793 lm/m	309 lm/m			
MN-2110-238	238pcs/m	24VDC	12.24 W/m	90+	1126 lm/m	439 lm/m	29.4mm	2m	4 mm
				95+	935 lm/m	364 lm/m			
MN-5630A-60	60pcs/m	24VDC	28.8 W/m	90+	1900 lm/m	741 lm/m	100mm	2m	6 mm
				95+	1577 lm/m	615 lm/m			



MINI SERIES

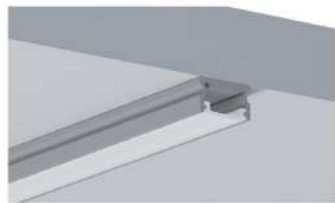
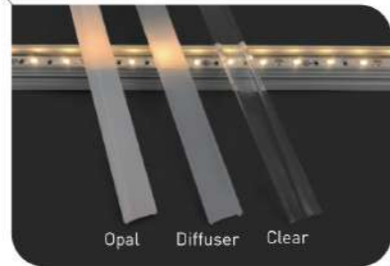
► SL130708



PROFILE COLORS



LENS



Installation: Surface Mounted
 Length Available: 1-3m
 Profile Color: Silver, Black Anodized, White Powder Coating
 Lens: Opal, Diffuser, Clear
 Input Cable: Endcaps, Profile Bottom, Profile Sides
 Quick Female/Male Connectors Input cable & Junction Box available

MINI SERIES

► SL130708

ORDERING CODE

LUMINAIRE	FINISH	LENS	Vol.	Power	Ra	CRI	INSTALL ACCS.	IP GRADE	CONTROL OPTOINS	
SL130708	W White	D Diffuser	12 12VDC	4.8W/m	90	22-2200K, 24-2400K, 25-2500K 27-2700K, 30-3000K, 35-3500K 40-4000K, 50-5000K, 65-6500K	01 - Black&Red 22AWG	A - AMP male/female M - Molex male/female D - DC male/female	E - Through Endcaps B - Through profile end bottom S - Through profile side	
	B Black	O Opal	24 24VDC	9.6W/m	95					22-2200K, 25-2500K, 27-2700K 30-3000K, 35-3500K, 40-4000K 50-5000K, 65-6500K
	S Silver	C Clear		12.24W/m	95+	TW	Tunable White - check your executive sales			
				28.8W/m		D2W	Dim To Warm - check your executive sales			04 - 3Pin cable for Tunable white

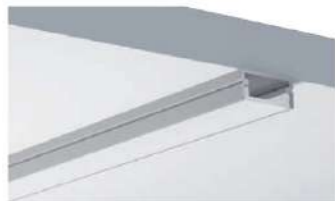
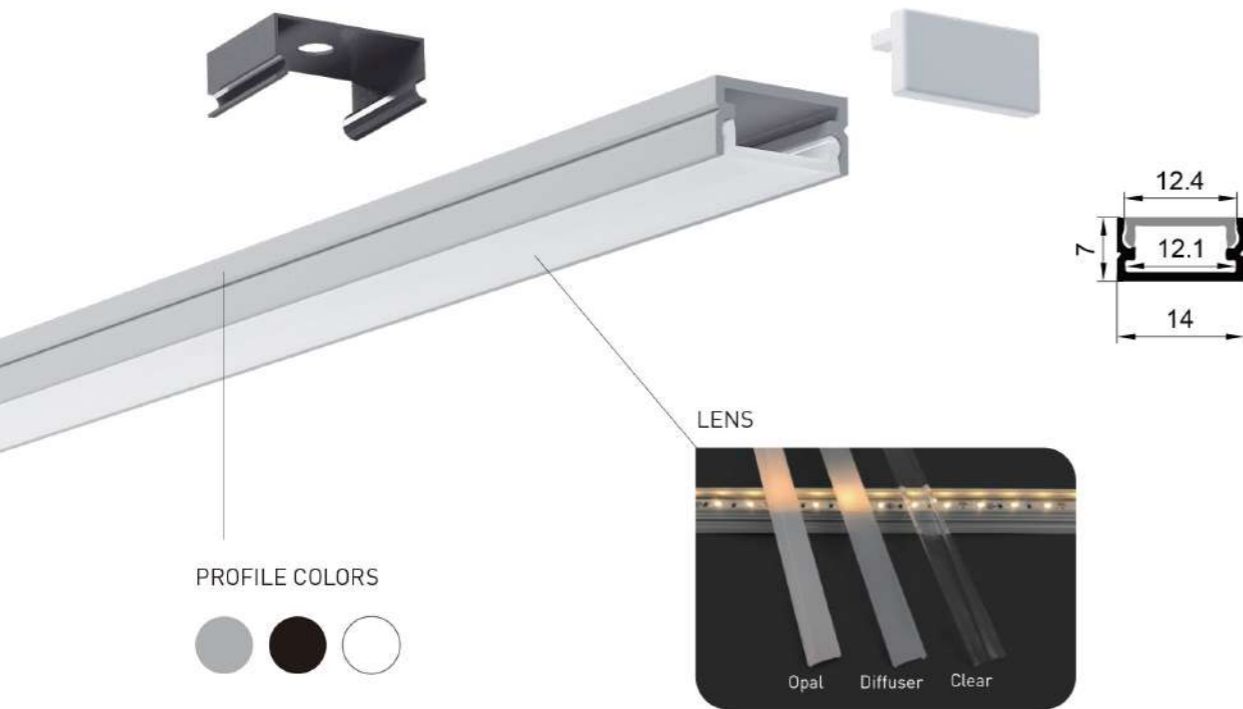
RECOMMEND LIGHT SOURCE

Part Code	LED QTY	Input Vol.	Power	CRI	Light Source Lumen	Diffuser Lens Lumen	Cuttable length	Max Run	PCB Width
MN-2835A-60	60pcs/m	12/24VDC	4.8 W/m	90+	478 lm/m	186 lm/m	12V=50mm 24V=100mm	12V=3m 24V=5m	5 mm
				95+	397 lm/m	155 lm/m			
MN-2835A-120	120pcs/m	12/24VDC	9.6 W/m	90+	956 lm/m	373 lm/m	12V=25mm 24V=50mm	12V=1.5m 24V=3m	4 mm
				95+	793 lm/m	309 lm/m			
MN-2110-238	238pcs/m	24VDC	12.24 W/m	90+	1126 lm/m	439 lm/m	29.4mm	2m	4 mm
				95+	935 lm/m	364 lm/m			
MN-5630A-60	60pcs/m	24VDC	28.8 W/m	90+	1900 lm/m	741 lm/m	100mm	2m	6 mm
				95+	1577 lm/m	615 lm/m			



MINI SERIES

► SL1407K12



Installation: Surface Mounted
 Length Available: 1-3m
 Profile Color: Silver, Black Anodized, White Powder Coating
 Lens: Opal, Diffuser, Clear
 Input Cable: Endcaps, Profile Bottom, Profile Sides
 Quick Female/Male Connectors Input cable & Junction Box available

MINI SERIES

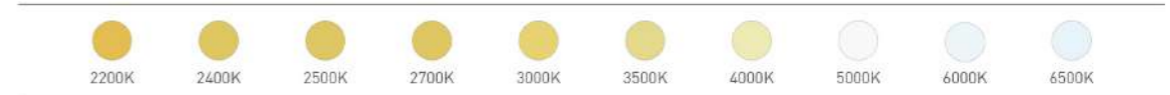
► SL1407K12

ORDERING CODE

LUMINAIRE	FINISH	LENS	Vol.	Power	Ra	CRI	INSTALL ACCS.	IP GRADE	CONTROL OPTOINS
SL1407K12	W White B Black S Silver	D Diffuser O Opal C Clear	24 24VDC	12.96W/m 17.28W/m	90 90+	22-2200K , 24-2400K 25-2500K , 27-2700K 30-3000K , 35-3500K 40-4000K , 50-5000K 65-6500K	01 - Black&Red 22AWG 02 - Black&White 22AWG 03 - White PU protected 2 pin 04 - 3Pin cable for Tunable white	A - AMP male/female M - Molex male/female D - DC male/female	E - Through Endcaps B - Through profile end bottom S - Through profile side
					TW	Tunable White - check your executive sales			
					D2W	Dim To Warm - check your executive sales			

RECOMMEND LIGHT SOURCE

Part Code	LED QTY	Input Vol.	Power	CRI	Light Source Lumen	Diffuser Lens Lumen	Cuttable length	Max Run	PCB Width
FN-2016-180	180pcs/m	24VDC	12.96W ± 10%	90+	1000 lm/m	780 lm/m	33mm	3M	10mm
FN-2016-240	240pcs/m		17.28W ± 10%	90+	1300 lm/m	1014 lm/m	25mm		



MINI SERIES

► SL1415K12



PROFILE COLORS



Installation: Surface Mounted
 Length Available: 1-3m
 Profile Color: Silver, Black Anodized, White Powder Coating
 Lens: Opal, Diffuser, Clear
 Input Cable: Endcaps, Profile Bottom, Profile Sides
 Quick Female/Male Connectors Input cable & Junction Box available

MINI SERIES

► SL1415K12

ORDERING CODE

LUMINAIRE	FINISH	LENS	Vol.	Power	Ra	CRI	INSTALL ACCS.	IP GRADE	CONTROL OPTOINS
SL1415K12	W White	D Diffuser	12 12VDC	14.40W/m	90 90+	22-2200K , 24-2400K , 25-2500K 27-2700K , 30-3000K , 35-3500K 40-4000K , 50-5000K , 65-6500K	01 - Black&Red 22AWG 02 - Black&White 22AWG 03 - White PU protected 2 pin 04 - 3Pin cable for Tunable white	A - AMP male/female M - Molex male/female D - DC male/female	E - Through Endcaps B - Through profile end bottom S - Through profile side
			24 24VDC	11.52W/m					
	B Black	O Opal	36 36VDC	24.00W/m	95 95+	22-2200K , 25-2500K , 27-2700K 30-3000K , 35-3500K , 40-4000K 50-5000K , 65-6500K			
			48 48VDC	28.80W/m					
	S Silver	C Clear		5.18W/m	TW	Tunable White - check your executive sales			
				6.00W/m					
			21.60W/m	D2W	Dim To Warm - check your executive sales				

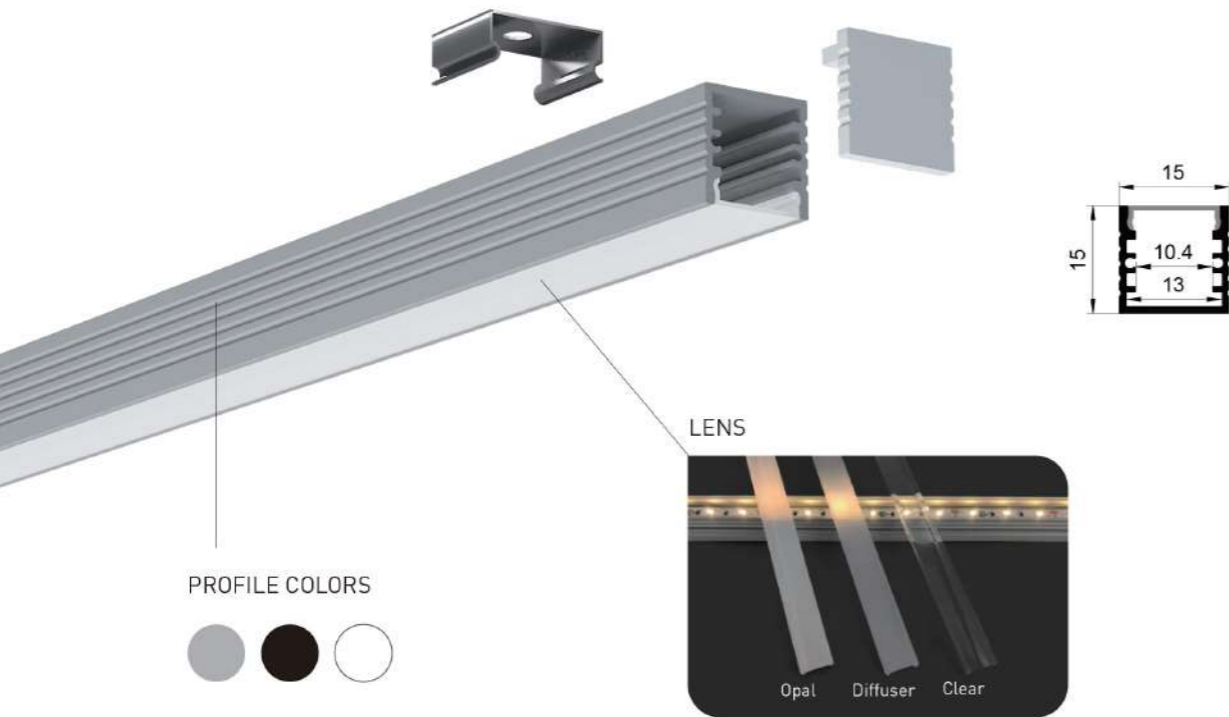
RECOMMEND LIGHT SOURCE

Performance	Part Code	LED QTY	Input Vol.	Power	CRI	Light Source Lumen	Diffuser Lens Lumen	Cutttable length	Max Run	PCB Width
General	FN-H2835T-120	120pcs/m	12/24VDC	14.40 W/m	90+	1512 lm/m	680 lm/m	12V=50mm	12V=5m	10 mm
					95+	1282 lm/m	577 lm/m	24V=50mm	24V=9m	
High Efficiency	FN-H2835T-128	128pcs/m	12/24VDC	11.52 W/m	90+	1613 lm/m	726 lm/m	12V=31.2mm	12V=3m	10 mm
					95+	1475 lm/m	664 lm/m	24V=62.5mm	24V=6m	
	FN-H28350-160	160pcs/m	24VDC	24 W/m	90+	3480 lm/m	1739 lm/m	50mm	3m	10 mm
	FN-H28350-192	192pcs/m	24VDC	28.8 W/m	90+	4176 lm/m	2086lm/m	41.7mm	2.5m	10 mm
Long Run	LN-H2835T-80	80pcs/m	36VDC	5.18W/m	90+	580 lm/m	261 lm/m	100mm	50mm	10 mm
					95+	482 lm/m	217 lm/m			
	LN-H2835T-112	112pcs/m	48VDC	11.52 W/m	90+	1336 lm/m	601 lm/m	125mm	25mm	10 mm
95+					1106 lm/m	498 lm/m				
LN-H2835T-120	120pcs/m	24VDC	6.00 W/m	90+	588 lm/m	265 lm/m	50mm	21mm	10 mm	
				95+	486 lm/m	219 lm/m				
Short Cut	FN-F2835A-120	120pcs/m	24VDC	21.60 W/m	90+	1922 lm/m	865 lm/m	16.7mm	3.5mm	10 mm
					95+	1595 lm/m	718 lm/m			

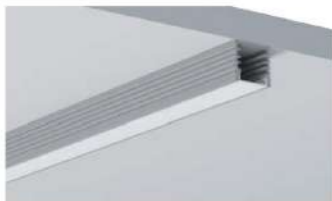
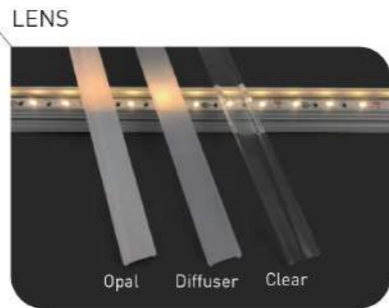


MINI SERIES

► SL151510



PROFILE COLORS



Installation: Surface Mounted
 Length Available: 1-3m
 Profile Color: Silver, Black Anodized, White Powder Coating
 Lens: Opal, Diffuser, Clear
 Input Cable: Endcaps, Profile Bottom, Profile Sides
 Quick Female/Male Connectors Input cable & Junction Box available

MINI SERIES

► SL151510

ORDERING CODE

LUMINAIRE	FINISH	LENS	Vol.	Power	Ra	CRI	INSTALL ACCS.	IP GRADE	CONTROL OPTOINS
SL151510	W White	D Diffuser	12 12VDC	14.40W/m	90 90+	22-2200K, 24-2400K, 25-2500K 27-2700K, 30-3000K, 35-3500K 40-4000K, 50-5000K, 65-6500K	01 - Black&Red 22AWG	A - AMP male/female M - Molex male/female D - DC male/female	E - Through Endcaps B - Through profile end bottom S - Through profile side
	B Black	O Opal	24 24VDC	11.52W/m	95 95+	22-2200K, 25-2500K, 27-2700K 30-3000K, 35-3500K, 40-4000K 50-5000K, 65-6500K	02 - Black&White 22AWG		
	S Silver	C Clear	36 36VDC	24.00W/m	TW	Tunable White - check your executive sales	03 - White PU protected 2 pin		
			48 48VDC	5.18W/m 6.00W/m 21.60W/m	D2W	Dim To Warm - check your executive sales	04 - 3Pin cable for Tunable white		

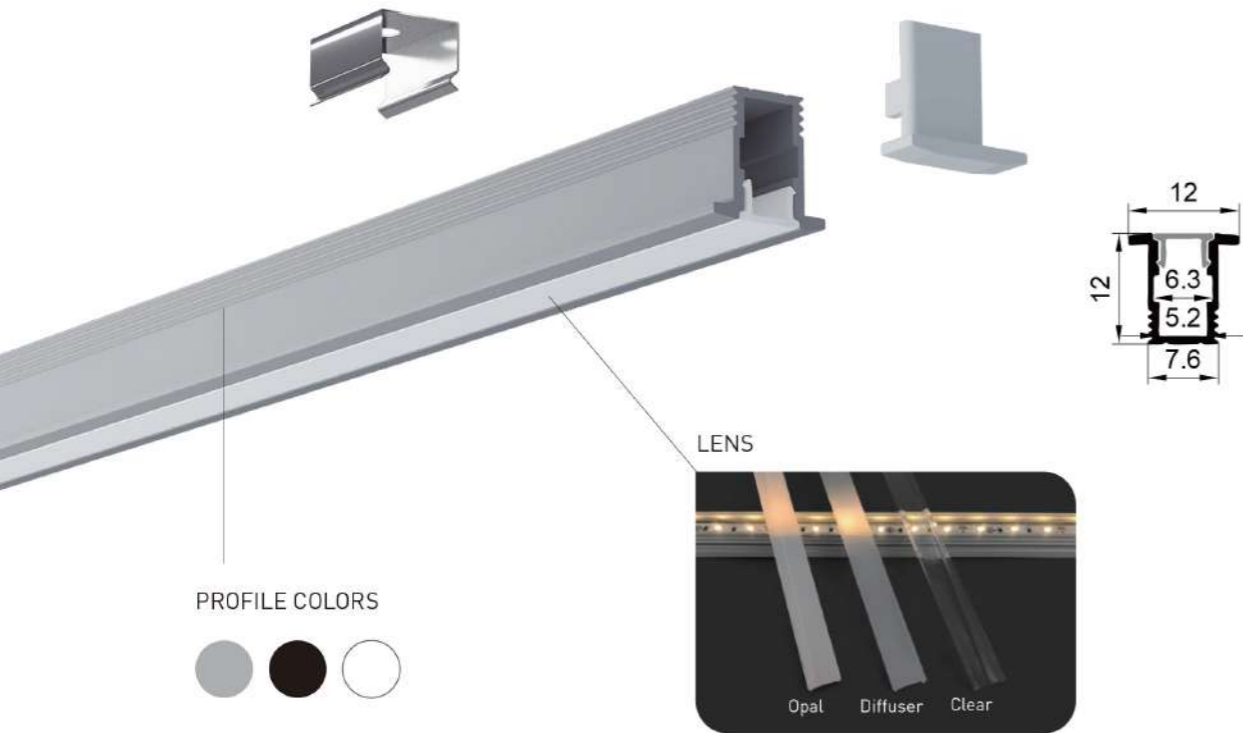
RECOMMEND LIGHT SOURCE

Performance	Part Code	LED QTY	Input Vol.	Power	CRI	Light Source Lumen	Diffuser Lens Lumen	Cutttable Length	Max Run	PCB Width
General	FN-H2835T-120	120pcs/m	12/24VDC	14.40 W/m	90+	1512 lm/m	680 lm/m	12V=50mm 24V=50mm	12V=5m 24V=9m	10 mm
					95+	1282 lm/m	577 lm/m			
High Efficiency	FN-H2835T-128	128pcs/m	12/24VDC	11.52 W/m	90+	1613 lm/m	726 lm/m	12V=31.2mm 24V=62.5mm	12V=3m 24V=6m	10 mm
	FN-H28350-160	160pcs/m	24VDC	24 W/m	90+	3480 lm/m	1739 lm/m			
	FN-H28350-192	192pcs/m	24VDC	28.8 W/m	90+	4176 lm/m	2086lm/m	41.7mm	2.5m	10 mm
Long Run	LN-H2835T-80	80pcs/m	36VDC	5.18W/m	90+	580 lm/m	261 lm/m	100mm	50mm	10 mm
					95+	482 lm/m	217 lm/m			
	LN-H2835T-112	112pcs/m	48VDC	11.52 W/m	90+	1336 lm/m	601 lm/m	125mm	25mm	10 mm
					95+	1106 lm/m	498 lm/m			
LN-H2835T-120	120pcs/m	24VDC	6.00 W/m	90+	588 lm/m	265 lm/m	50mm	21mm	10 mm	
				95+	486 lm/m	219 lm/m				
Short Cut	FN-F2835A-120	120pcs/m	24VDC	21.60 W/m	90+	1922 lm/m	865 lm/m	16.7mm	3.5mm	10 mm
					95+	1595 lm/m	718 lm/m			



MINI SERIES

► SL081206



Installation: Trimmed Recessed
 Length Available: 1-3m
 Profile Color: Silver, Black Anodized, White Powder Coating
 Lens: Opal, Diffuser, Clear
 Input Cable: Endcaps, Profile Bottom, Profile Sides
 Quick Female/Male Connectors Input cable & Junction Box available

MINI SERIES

► SL081206

ORDERING CODE

LUMINAIRE	FINISH	LENS	Vol.	Power	Ra	CRI	INSTALL ACCS.	IP GRADE	CONTROL OPTOINS
SL081206	W White	D Diffuser	12 12VDC	4.8W/m	90	22-2200K, 24-2400K, 25-2500K 27-2700K, 30-3000K, 35-3500K 40-4000K, 50-5000K, 65-6500K	01 - Black&Red 22AWG 02 - Black&White 22AWG 03 - White PU protected 2 pin 04 - 3Pin cable for Tunable white	A - AMP male/female M - Molex male/female D - DC male/female	E - Through Endcaps B - Through profile end bottom S - Through profile side
	B Black	O Opal	24 24VDC	9.6W/m	95				
	S Silver	C Clear		12.24W/m	95+	22-2200K, 25-2500K, 27-2700K 30-3000K, 35-3500K, 40-4000K 50-5000K, 65-6500K			
				28.8W/m					
					TW	Tunable White - check your executive sales			
					D2W	Dim To Warm - check your executive sales			

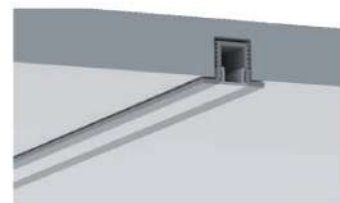
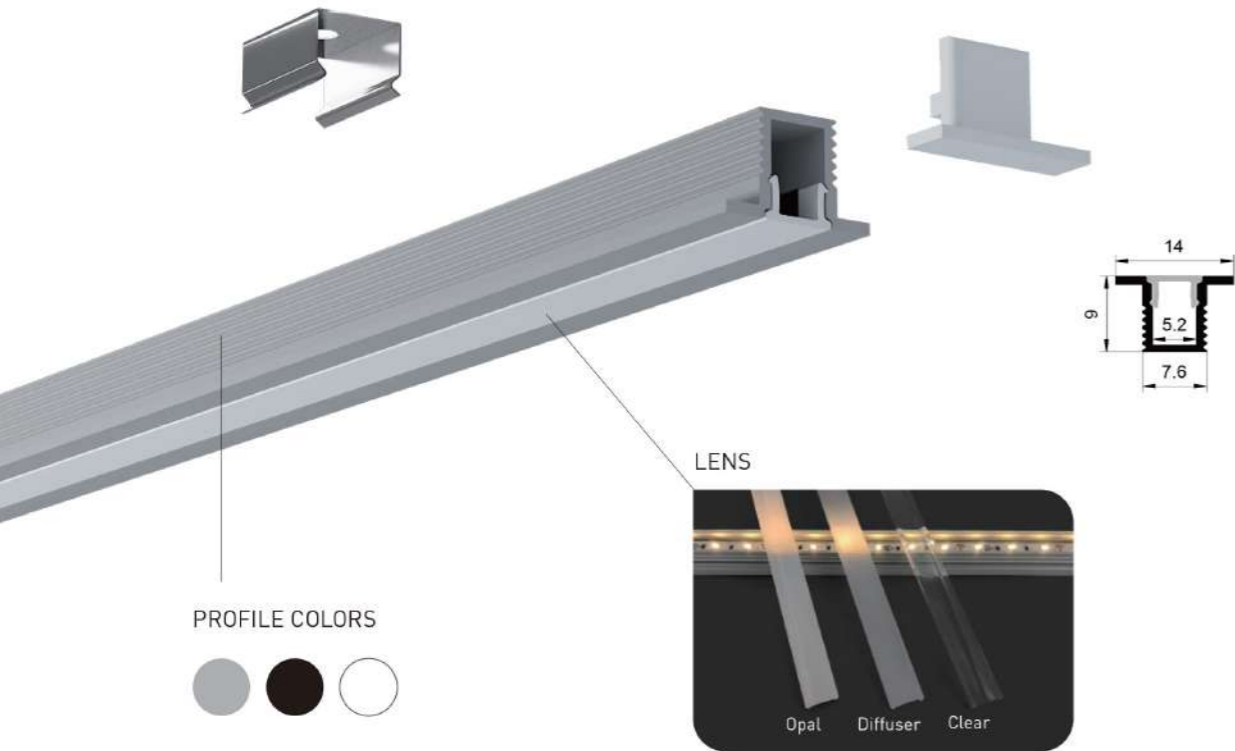
RECOMMEND LIGHT SOURCE

Part Code	LED QTY	Input Vol.	Power	CRI	Light Source Lumen	Diffuser Lens Lumen	Cuttable length	Max Run	PCB Width
MN-2835A-60	60pcs/m	12/24VDC	4.8 W/m	90+	478 lm/m	186 lm/m	12V=50mm 24V=100mm	12V=3m 24V=5m	5 mm
				95+	397 lm/m	155 lm/m			
MN-2835A-120	120pcs/m	12/24VDC	9.6 W/m	90+	956 lm/m	373 lm/m	12V=25mm 24V=50mm	12V=1.5m 24V=3m	4 mm
				95+	793 lm/m	309 lm/m			
MN-2110-238	238pcs/m	24VDC	12.24 W/m	90+	1126 lm/m	439 lm/m	29.4mm	2m	4 mm
				95+	935 lm/m	364 lm/m			
MN-5630A-60	60pcs/m	24VDC	28.8 W/m	90+	1900 lm/m	741 lm/m	100mm	2m	6 mm
				95+	1577 lm/m	615 lm/m			



MINI SERIES

► SL081405



Installation: Trimed Recessed
 Length Available: 1-3m
 Profile Color: Silver, Black Anodized, White Powder Coating
 Lens: Opal, Diffuser, Clear
 Input Cable: Endcaps, Profile Bottom, Profile Sides
 Quick Female/Male Connectors Input cable & Junction Box available

MINI SERIES

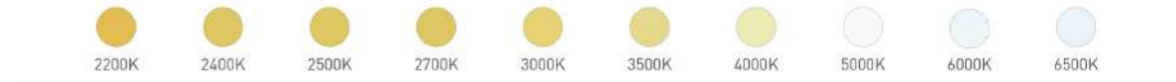
► SL081405

ORDERING CODE

LUMINAIRE	FINISH	LENS	VoL	Power	Ra	CRI	INSTALL ACCS.	IP GRADE	CONTROL OPTOINS
SL081405	W White	D Diffuser	12 12VDC	4.8W/m	90 90+	22-2200K , 24-2400K , 25-2500K 27-2700K , 30-3000K , 35-3500K 40-4000K , 50-5000K , 65-6500K	01 - Black&Red 22AWG	A - AMP male/female M - Molex male/female D - DC male/female	E - Through Endcaps B - Through profile end bottom S - Through profile side
	B Black	O Opal	24 24VDC	9.6W/m	95 95+	22-2200K , 25-2500K , 27-2700K 30-3000K , 35-3500K , 40-4000K 50-5000K , 65-6500K	02 - Black&White 22AWG		
	S Silver	C Clear		12.24W/m			03 - White PU protected 2 pin		
				28.8W/m			04 - 3Pin cable for Tunable white		
					TW	Tunable White - check your executive sales			
					D2W	Dim To Warm - check your executive sales			

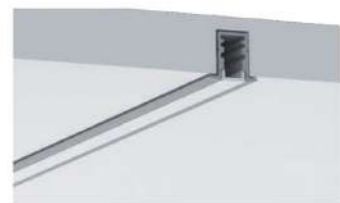
RECOMMEND LIGHT SOURCE

Part Code	LED QTY	Input Vol.	Power	CRI	Light Source Lumen	Diffuser Lens Lumen	Cuttable length	Max Run	PCB Width
MN-2835A-60	60pcs/m	12/24VDC	4.8 W/m	90+	478 lm/m	186 lm/m	12V=50mm 24V=100mm	12V=3m 24V=5m	5 mm
				95+	397 lm/m	155 lm/m			
MN-2835A-120	120pcs/m	12/24VDC	9.6 W/m	90+	956 lm/m	373 lm/m	12V=25mm 24V=50mm	12V=1.5m 24V=3m	4 mm
				95+	793 lm/m	309 lm/m			
MN-2110-238	238pcs/m	24VDC	12.24 W/m	90+	1126 lm/m	439 lm/m	29.4mm	2m	4 mm
				95+	935 lm/m	364 lm/m			
MN-5630A-60	60pcs/m	24VDC	28.8 W/m	90+	1900 lm/m	741 lm/m	100mm	2m	6 mm
				95+	1577 lm/m	615 lm/m			



MINI SERIES

► SL1615K08



Installation: Trimmed Recessed
 Length Available: 1-3m
 Profile Color: Silver, Black Anodized, White Powder Coating
 Lens: Opal, Diffuser, Clear
 Input Cable: Endcaps, Profile Bottom, Profile Sides
 Quick Female/Male Connectors Input cable & Junction Box available

MINI SERIES

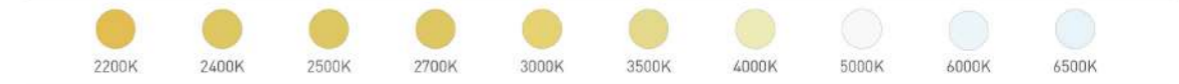
► SL1615K08

ORDERING CODE

LUMINAIRE	FINISH	LENS	Vol.	Power	Ra	CRI	INSTALL ACCS.	IP GRADE	CONTROL OPTOINS
SL1615K08	W White	D Diffuser	12 12VDC	4.8W/m	90	22-2200K, 24-2400K, 25-2500K 27-2700K, 30-3000K, 35-3500K 40-4000K, 50-5000K, 65-6500K	01 - Black&Red 22AWG 02 - Black&White 22AWG 03 - White PU protected 2 pin 04 - 3Pin cable for Tunable white	A - AMP male/female M - Molex male/female D - DC male/female	E - Through Endcaps B - Through profile end bottom S - Through profile side
	B Black	O Opal	24 24VDC	9.6W/m	95				
	S Silver	C Clear		12.24W/m	95+	TW Tunable White - check your executive sales			
				28.8W/m		D2W Dim To Warm - check your executive sales			

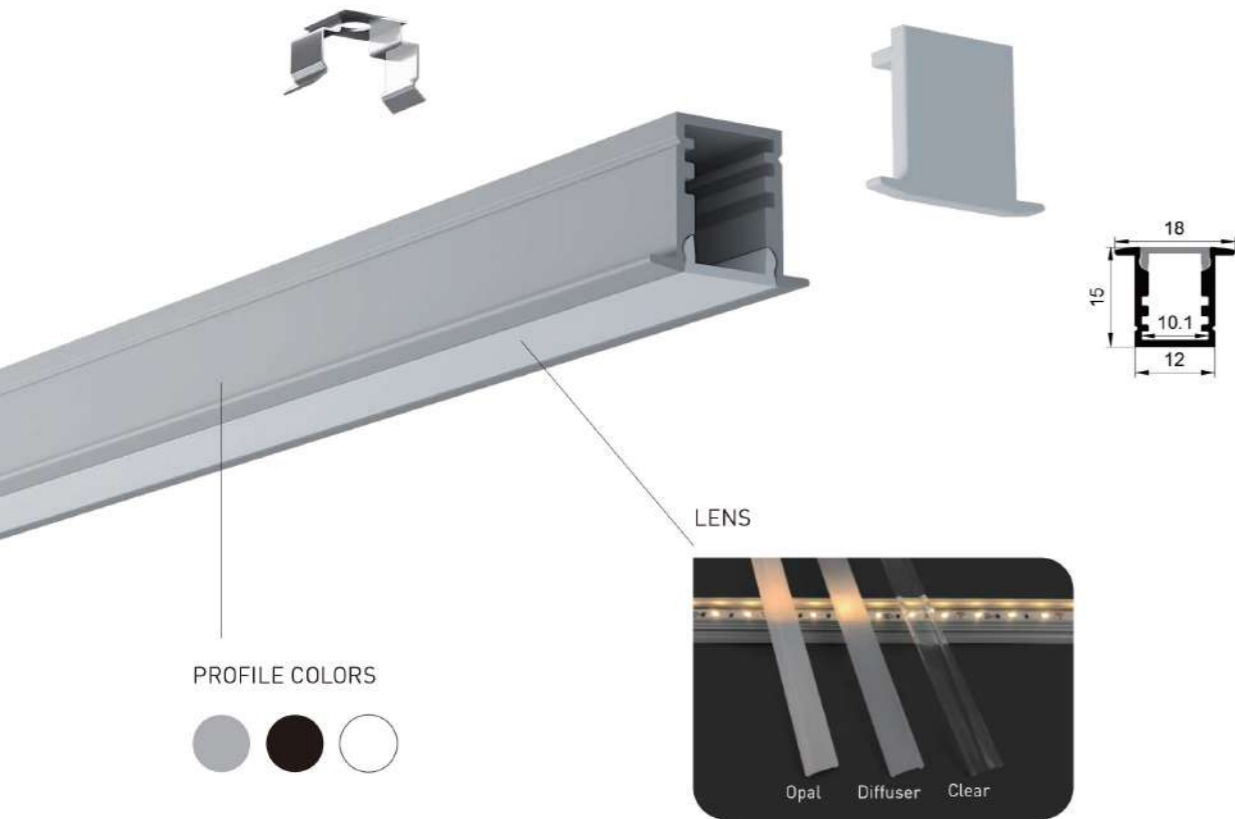
RECOMMEND LIGHT SOURCE

Part Code	LED QTY	Input Vol.	Power	CRI	Light Source Lumen	Diffuser Lens Lumen	Cutttable Length	Max Run	PCB Width
MN-2835A-60	60pcs/m	12/24VDC	4.8 W/m	90+	478 lm/m	186 lm/m	12V=50mm 24V=100mm	12V=3m 24V=5m	5 mm
				95+	397 lm/m	155 lm/m			
MN-2835A-120	120pcs/m	12/24VDC	9.6 W/m	90+	956 lm/m	373 lm/m	12V=25mm 24V=50mm	12V=1.5m 24V=3m	4 mm
				95+	793 lm/m	309 lm/m			
MN-2110-238	238pcs/m	24VDC	12.24 W/m	90+	1126 lm/m	439 lm/m	29.4mm	2m	4 mm
				95+	935 lm/m	364 lm/m			
MN-5630A-60	60pcs/m	24VDC	28.8 W/m	90+	1900 lm/m	741 lm/m	100mm	2m	6 mm
				95+	1577 lm/m	615 lm/m			



MINI SERIES

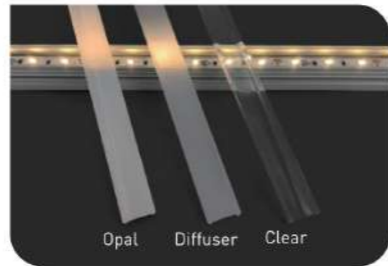
► SL1812K10



PROFILE COLORS



LENS



Installation: Trimed Recessed
 Length Available: 1-3m
 Profile Color: Silver, Black Anodized, White Powder Coating
 Lens: Opal, Diffuser, Clear
 Input Cable: Endcaps, Profile Bottom, Profile Sides
 Quick Female/Male Connectors Input cable & Junction Box available

MINI SERIES

► SL1812K10

ORDERING CODE

LUMINAIRE	FINISH	LENS	VoL	Power	Ra	CRI	INSTALL ACCS.	IP GRADE	CONTROL OPTOINS
SL1812K10	W White	D Diffuser	12 12VDC	4.8W/m	90 90+	22-2200K , 24-2400K , 25-2500K 27-2700K , 30-3000K , 35-3500K 40-4000K , 50-5000K , 65-6500K	01 - Black&Red 22AWG	A - AMP male/female M - Molex male/female D - DC male/female	E - Through Endcaps B - Through profile end bottom S - Through profile side
	B Black	O Opal	24 24VDC	9.6W/m	95 95+	22-2200K , 25-2500K , 27-2700K 30-3000K , 35-3500K , 40-4000K 50-5000K , 65-6500K	02 - Black&White 22AWG		
	S Silver	C Clear		12.24W/m			03 - White PU protected 2 pin		
				28.8W/m			04 - 3Pin cable for Tunable white		
					TW	Tunable White - check your executive sales			
					D2W	Dim To Warm - check your executive sales			

RECOMMEND LIGHT SOURCE

Part Code	LED QTY	Input Vol.	Power	CRI	Light Source Lumen	Diffuser Lens Lumen	Cuttable length	Max Run	PCB Width
MN-2835A-60	60pcs/m	12/24VDC	4.8 W/m	90+	478 lm/m	186 lm/m	12V=50mm 24V=100mm	12V=3m 24V=5m	5 mm
				95+	397 lm/m	155 lm/m			
MN-2835A-120	120pcs/m	12/24VDC	9.6 W/m	90+	956 lm/m	373 lm/m	12V=25mm 24V=50mm	12V=1.5m 24V=3m	4 mm
				95+	793 lm/m	309 lm/m			
MN-2110-238	238pcs/m	24VDC	12.24 W/m	90+	1126 lm/m	439 lm/m	29.4mm	2m	4 mm
				95+	935 lm/m	364 lm/m			
MN-5630A-60	60pcs/m	24VDC	28.8 W/m	90+	1900 lm/m	741 lm/m	100mm	2m	6 mm
				95+	1577 lm/m	615 lm/m			



MINI SERIES

► SL2014K12



Installation: Trimmed Recessed
 Length Available: 1-3m
 Profile Color: Silver, Black Anodized, White Powder Coating
 Lens: Opal, Diffuser, Clear
 Input Cable: Endcaps, Profile Bottom, Profile Sides
 Quick Female/Male Connectors Input cable & Junction Box available

MINI SERIES

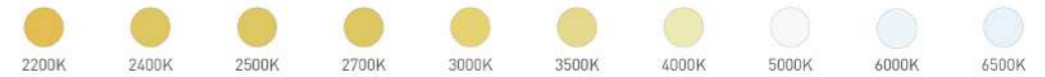
► SL2014K12

ORDERING CODE

LUMINAIRE	FINISH	LENS	Vol.	Power	Ra	CRI	INSTALL ACCS.	IP GRADE	CONTROL OPTOINS
SL2014K12	W White	D Diffuser	12 12VDC	14.40W/m	90	22-2200K, 24-2400K, 25-2500K 27-2700K, 30-3000K, 35-3500K 40-4000K, 50-5000K, 65-6500K	01 - Black&Red 22AWG 02 - Black&White 22AWG 03 - White PU protected 2 pin 04 - 3Pin cable for Tunable white	A - AMP male/female M - Molex male/female D - DC male/female	E - Through Endcaps B - Through profile end bottom S - Through profile side
	B Black	O Opal	24 24VDC	11.52W/m	95				
	S Silver	C Clear	36 36VDC	24.00W/m	95+	TW Tunable White - check your executive sales			
			48 48VDC	28.80W/m					
				5.18W/m					
				6.00W/m					
				21.60W/m					

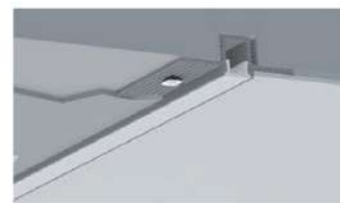
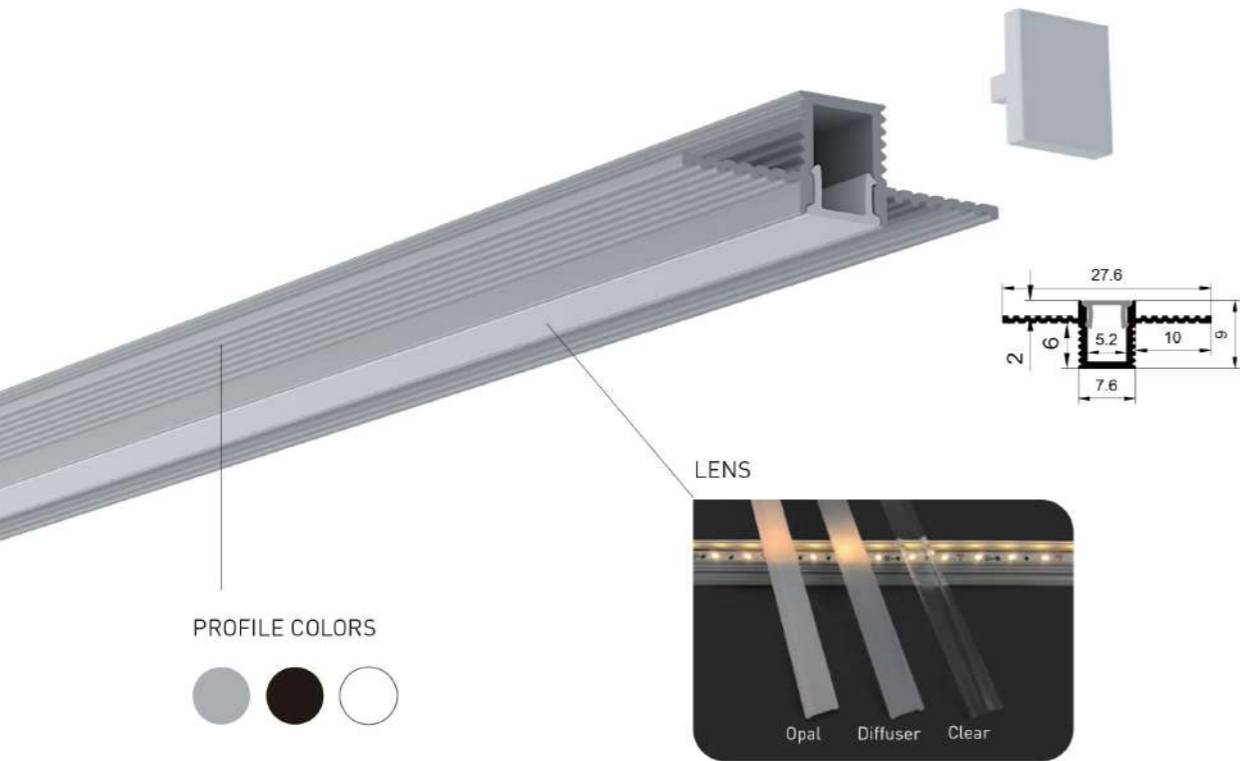
RECOMMEND LIGHT SOURCE

Performance	Part Code	LED QTY	Input Vol.	Power	CRI	Light Source Lumen	Diffuser Lens Lumen	Cuttable length	Max Run	PCB Width
General	FN-H2835T-120	120pcs/m	12/24VDC	14.40 W/m	90+	1512 lm/m	680 lm/m	12V=50mm	12V=5m	10 mm
					95+	1282 lm/m	577 lm/m	24V=50mm	24V=9m	
High Efficiency	FN-H2835T-128	128pcs/m	12/24VDC	11.52 W/m	90+	1613 lm/m	726 lm/m	12V=31.2mm	12V=3m	10 mm
					95+	1475 lm/m	664 lm/m	24V=62.5mm	24V=6m	
	FN-H2835O-160	160pcs/m	24VDC	24 W/m	90+	3480 lm/m	1739 lm/m	50mm	3m	10 mm
	FN-H2835O-192	192pcs/m	24VDC	28.8 W/m	90+	4176 lm/m	2086lm/m	41.7mm	2.5m	10 mm
Long Run	LN-H2835T-80	80pcs/m	36VDC	5.18W/m	90+	580 lm/m	261 lm/m	100mm	50mm	10 mm
					95+	482 lm/m	217 lm/m			
	LN-H2835T-112	112pcs/m	48VDC	11.52 W/m	90+	1336 lm/m	601 lm/m	125mm	25mm	10 mm
					95+	1106 lm/m	498 lm/m			
LN-H2835T-120	120pcs/m	24VDC	6.00 W/m	90+	588 lm/m	265 lm/m	50mm	21mm	10 mm	
					95+	486 lm/m				219 lm/m
Short Cut	FN-F2835A-120	120pcs/m	24VDC	21.60 W/m	90+	1922 lm/m	865 lm/m	16.7mm	3.5mm	10 mm
					95+	1595 lm/m	718 lm/m			



MINI SERIES

► SL082705



Installation: Trimless
 Recessed
 Length Available: 1-3m
 Profile Color: Silver, Black Anodized, White Powder Coating
 Lens: Opal, Diffuser, Clear
 Input Cable: Endcaps, Profile Bottom, Profile Sides
 Quick Female/Male Connectors Input cable & Junction Box available

MINI SERIES

► SL082705

ORDERING CODE

LUMINAIRE	FINISH	LENS	VoL	Power	Ra	CRI	INSTALL ACCS.	IP GRADE	CONTROL OPTOINS
SL082705	W White	D Diffuser	12 12VDC	4.8W/m	90 90+	22-2200K, 24-2400K, 25-2500K 27-2700K, 30-3000K, 35-3500K 40-4000K, 50-5000K, 65-6500K	01 - Black&Red 22AWG	A - AMP male/female M - Molex male/female D - DC male/female	E - Through Endcaps B - Through profile end bottom S - Through profile side
	B Black	O Opal	24 24VDC	9.6W/m	95 95+	22-2200K, 25-2500K, 27-2700K 30-3000K, 35-3500K, 40-4000K 50-5000K, 65-6500K	02 - Black&White 22AWG		
	S Silver	C Clear		12.24W/m			03 - White PU protected 2 pin		
				28.8W/m			04 - 3Pin cable for Tunable white		
					TW	Tunable White - check your executive sales			
					D2W	Dim To Warm - check your executive sales			

RECOMMEND LIGHT SOURCE

Part Code	LED QTY	Input Vol.	Power	CRI	Light Source Lumen	Diffuser Lens Lumen	Cuttable length	Max Run	PCB Width
MN-2835A-60	60pcs/m	12/24VDC	4.8 W/m	90+	478 lm/m	186 lm/m	12V=50mm 24V=100mm	12V=3m 24V=5m	5 mm
				95+	397 lm/m	155 lm/m			
MN-2835A-120	120pcs/m	12/24VDC	9.6 W/m	90+	956 lm/m	373 lm/m	12V=25mm 24V=50mm	12V=1.5m 24V=3m	4 mm
				95+	793 lm/m	309 lm/m			
MN-2110-238	238pcs/m	24VDC	12.24 W/m	90+	1126 lm/m	439 lm/m	29.4mm	2m	4 mm
				95+	935 lm/m	364 lm/m			
MN-5630A-60	60pcs/m	24VDC	28.8 W/m	90+	1900 lm/m	741 lm/m	100mm	2m	6 mm
				95+	1577 lm/m	615 lm/m			

