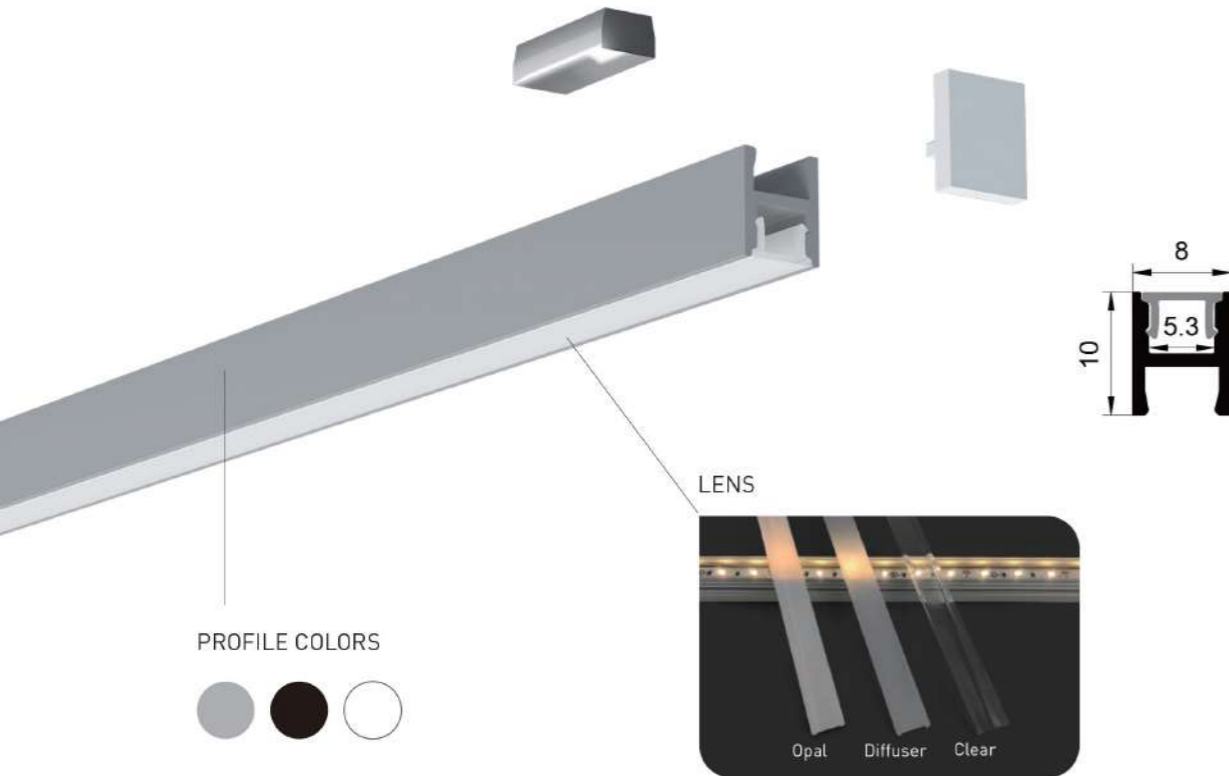


MAGNETIC SURFACE MOUNTED SERIES

► SL081005



PROFILE COLORS



Installation: Magnetic Surface Mounted
 Length Available: 1-3m
 Profile Color: Silver, Black Anodized, White Powder Coating
 Lens: Opal, Diffuser, Clear
 Input Cable: Endcaps, Profile Bottom, Profile Sides
 Quick Female/Male Connectors Input cable & Junction Box available

MAGNETIC SURFACE MOUNTED SERIES

► SL081005

ORDERING CODE

LUMINAIRE	FINISH	LENS	Vol.	Power	Ra	CRI	INSTALL ACCS.	IP GRADE	CONTROL OPTOINS
SL081005	W White	D Diffuser	12 12VDC	4.8W/m	90	22-2200K , 24-2400K , 25-2500K 27-2700K , 30-3000K , 35-3500K 40-4000K , 50-5000K , 65-6500K	01 - Black&Red 22AWG 02 - Black&White 22AWG 03 - White PU protected 2 pin 04 - 3Pin cable for Tunable white	A - AMP male/female M - Molex male/female D - DC male/female	E - Through Endcaps B - Through profile end bottom S - Through profile side
	B Black	O Opal	24 24VDC	9.6W/m	95				
	S Silver	C Clear		12.24W/m	95+	TW Tunable White - check your executive sales			
				28.8W/m		D2W Dim To Warm - check your executive sales			

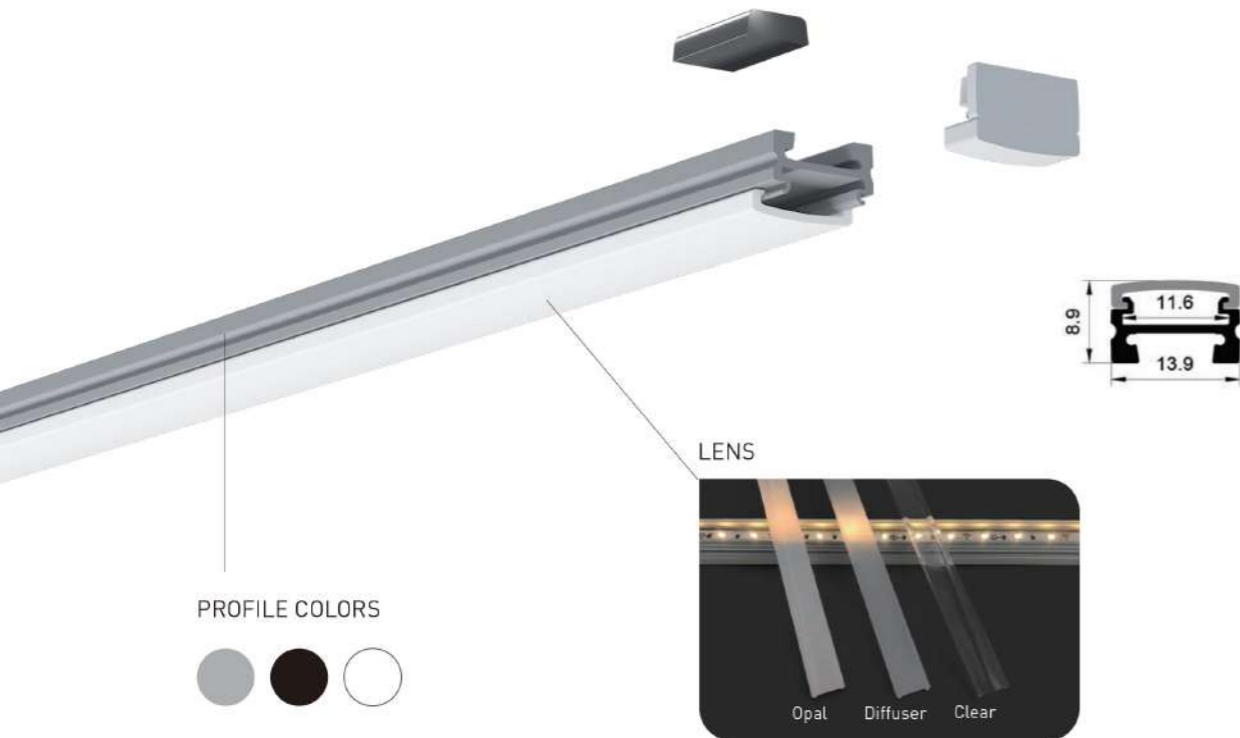
RECOMMEND LIGHT SOURCE

Part Code	LED QTY	Input Vol.	Power	CRI	Light Source Lumen	Diffuser Lens Lumen	Cuttable length	Max Run	PCB Width
MN-2835A-60	60pcs/m	12/24VDC	4.8 W/m	90+	478 lm/m	186 lm/m	12V=50mm 24V=100mm	12V=3m 24V=5m	5 mm
				95+	397 lm/m	155 lm/m			
MN-2835A-120	120pcs/m	12/24VDC	9.6 W/m	90+	956 lm/m	373 lm/m	12V=25mm 24V=50mm	12V=1.5m 24V=3m	4 mm
				95+	793 lm/m	309 lm/m			
MN-2110-238	238pcs/m	24VDC	12.24 W/m	90+	1126 lm/m	439 lm/m	29.4mm	2m	4 mm
				95+	935 lm/m	364 lm/m			
MN-5630A-60	60pcs/m	24VDC	28.8 W/m	90+	1900 lm/m	741 lm/m	100mm	2m	6 mm
				95+	1577 lm/m	615 lm/m			



MAGNETIC SURFACE MOUNTED SERIES

► SL140811



MAGNETIC SURFACE MOUNTED SERIES

► SL140811

ORDERING CODE

LUMINAIRE	FINISH	LENS	Vol.	Power	Ra	CRI	INSTALL ACCS.	IP GRADE	CONTROL OPTOINS
SL140811	W White	D Diffuser	24 24VDC	16.42W±10%	90 90+	22-2200K , 24-2400K 25-2500K , 27-2700K 30-3000K , 35-3500K 40-4000K , 50-5000K 65-6500K	01 - Black&Red 22AWG	A - AMP male/female	E - Through Endcaps
	B Black	O Opal					02 - Black&White 22AWG	M - Molex male/female	B - Through profile end bottom
	S Silver	C Clear				TW Tunable White - check your executive sales	03 - White PU protected 2 pin	D - DC male/female	S - Through profile side
						D2W Dim To Warm - check your executive sales	04 - 3Pin cable for Tunable white		

RECOMMEND LIGHT SOURCE

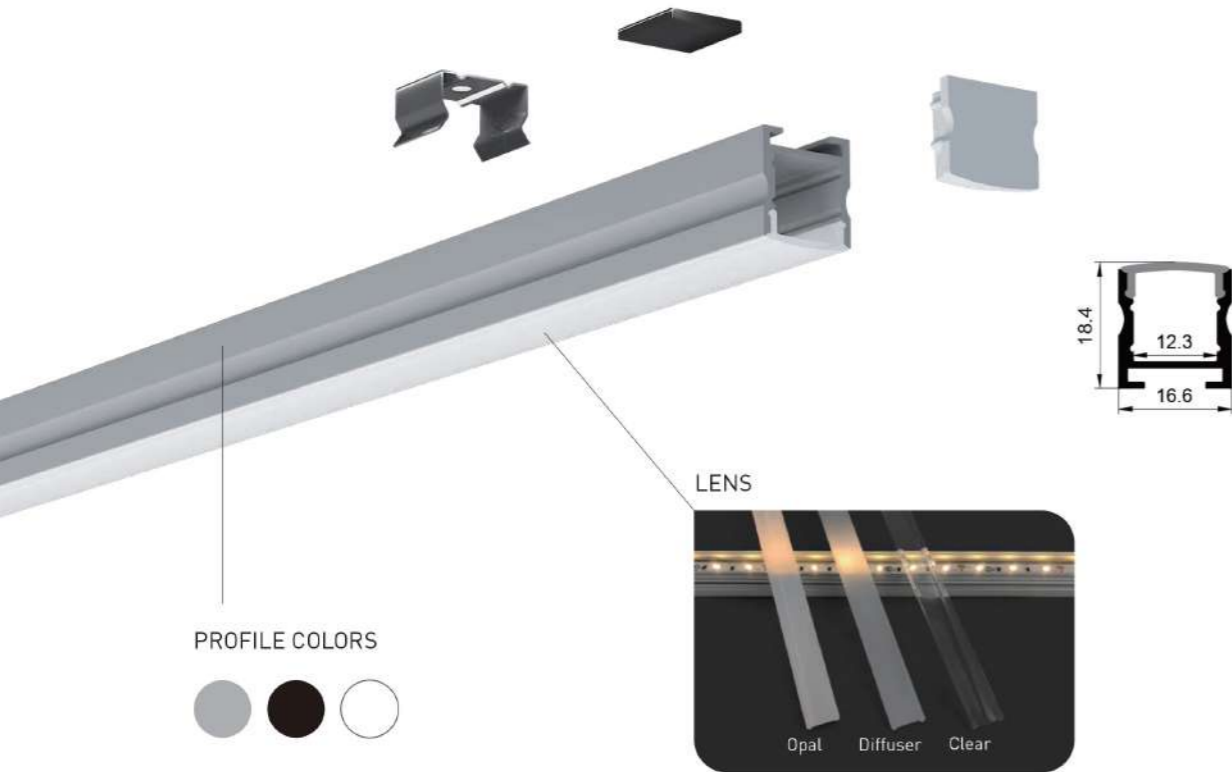
Performance	Part Code	LED QTY	Input Vol.	Power	CRI	Light Source Lumen	Diffuser Lens Lumen	Cutttable length	Max Run	PCB Width
General	FN-2016-266	266pcs/m	24VDC	16.42W ± 10%	90+	1700 lm/m	765 lm/m	26.3mm	3M	10mm



Installation: Magnetic Surface Mounted
 Length Available: 1-3m
 Profile Color: Silver, Black Anodized, White Powder Coating
 Lens: Opal, Diffuser, Clear
 Input Cable: Endcaps, Profile Bottom, Profile Sides
 Quick Female/Male Connectors Input cable & Junction Box available

MAGNETIC SURFACE MOUNTED SERIES

► SL171812



PROFILE COLORS



ACCESSORIES



Rotating Bracket



Installation: Magnetic Surface Mounted
 Length Available: 1-3m
 Profile Color: Silver, Black Anodized, White Powder Coating
 Lens: Opal, Diffuser, Clear
 Input Cable: Endcaps, Profile Bottom, Profile Sides
 Quick Female/Male Connectors Input cable & Junction Box available

MAGNETIC SURFACE MOUNTED SERIES

► SL171812

ORDERING CODE

LUMINAIRE	FINISH	LENS	Vol.	Power	Ra	CRI	INSTALL ACCS.	IP GRADE	CONTROL OPTOINS
SL171812	W White	D Diffuser	12 12VDC	14.40W/m	90 90+	22-2200K, 24-2400K, 25-2500K 27-2700K, 30-3000K, 35-3500K 40-4000K, 50-5000K, 65-6500K	01 - Black&Red 22AWG	A - AMP male/female M - Molex male/female D - DC male/female	E - Through Endcaps B - Through profile end bottom S - Through profile side
	B Black	O Opal	24 24VDC	24.00W/m	95 95+	22-2200K, 25-2500K, 27-2700K 30-3000K, 35-3500K, 40-4000K 50-5000K, 65-6500K	02 - Black&White 22AWG		
	S Silver	C Clear	36 36VDC	28.80W/m	TW	Tunable White - check your executive sales	03 - White PU protected 2 pin		
			48 48VDC	5.18W/m 6.00W/m 21.60W/m	D2W	Dim To Warm - check your executive sales	04 - 3Pin cable for Tunable white		

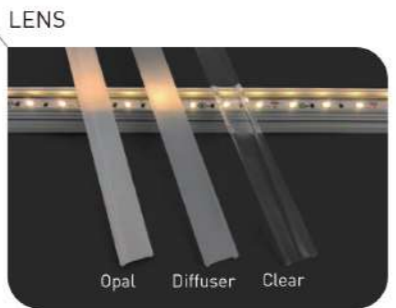
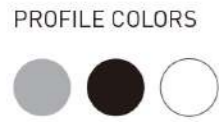
RECOMMEND LIGHT SOURCE

Performance	Part Code	LED QTY	Input Vol.	Power	CRI	Light Source Lumen	Diffuser Lens Lumen	Cutttable length	Max Run	PCB Width
General	FN-H2835T-120	120pcs/m	12/24VDC	14.40 W/m	90+	1512 lm/m	680lm/m	12V=50mm 24V=50mm	12V=5m 24V=9m	10 mm
					95+	1282 lm/m	577lm/m			
High Efficiency	FN-H2835T-128	128pcs/m	12/24VDC	11.52 W/m	90+	1613 lm/m	726lm/m	12V=31.2mm 24V=62.5mm	12V=3m 24V=6m	10 mm
					95+	1475 lm/m	664lm/m			
	FN-H28350-160	160pcs/m	24VDC	24 W/m	90+	3480 lm/m	1739lm/m	50mm	3m	10 mm
					95+	1987 lm/m	894lm/m	12V=25mm 24V=50mm	12V=3mm 24V=5mm	10 mm
FN-H2835T-160	160pcs/m	12/24VDC	14.40 W/m	90+	1843 lm/m	829lm/m				10 mm
				95+	1843 lm/m	829lm/m				
FN-H28350-192	192pcs/m	24VDC	28.8 W/m	90+	4176 lm/m	2086lm/m	41.7mm	2.5m	10 mm	
				95+	4176 lm/m	2086lm/m				
Long Run	LN-H2835T-80	80pcs/m	36VDC	5.18W/m	90+	580 lm/m	261lm/m	100mm	50mm	10 mm
					95+	482 lm/m	217lm/m			
	LN-H2835T-112	112pcs/m	48VDC	11.52 W/m	90+	1336 lm/m	601lm/m	125mm	25mm	10 mm
					95+	1106 lm/m	498lm/m			
LN-H2835T-120	120pcs/m	24VDC	6.00 W/m	90+	588 lm/m	265lm/m	50mm	21mm	10 mm	
				95+	486 lm/m	219lm/m				
Short Cut	FN-F2835A-120	120pcs/m	24VDC	21.60 W/m	90+	1922 lm/m	865lm/m	16.7mm	3.5mm	10 mm
					95+	1595 lm/m	718lm/m			



MAGNETIC SURFACE MOUNTED SERIES

► SL1716B13



ACCESSORIES



Installation: Magnetic Surface Mounted
 Length Available: 1-3m
 Profile Color: Silver, Black Anodized, White Powder Coating
 Lens: Opal, Diffuser, Clear
 Input Cable: Endcaps, Profile Bottom, Profile Sides
 Quick Female/Male Connectors Input cable & Junction Box available

MAGNETIC SURFACE MOUNTED SERIES

► SL1716B13

ORDERING CODE

LUMINAIRE	FINISH	LENS	Vol.	Power	Ra	CRI	INSTALL ACCS.	IP GRADE	CONTROL OPTOINS
SL171813	W White	D Diffuser	12 12VDC	14.40W/m	90 90+	22-2200K, 24-2400K, 25-2500K 27-2700K, 30-3000K, 35-3500K 40-4000K, 50-5000K, 65-6500K	01 - Black&Red 22AWG	A - AMP male/female M - Molex male/female D - DC male/female	E - Through Endcaps B - Through profile end bottom S - Through profile side
	B Black	O Opal	24 24VDC	11.52W/m	95 95+	22-2200K, 25-2500K, 27-2700K 30-3000K, 35-3500K, 40-4000K 50-5000K, 65-6500K	02 - Black&White 22AWG		
	S Silver	C Clear	36 36VDC	24.00W/m			TW Tunable White - check your executive sales		
			48 48VDC	28.80W/m	D2W Dim To Warm - check your executive sales	04 - 3Pin cable for Tunable white			
			5.18W/m	6.00W/m					
			21.60W/m						

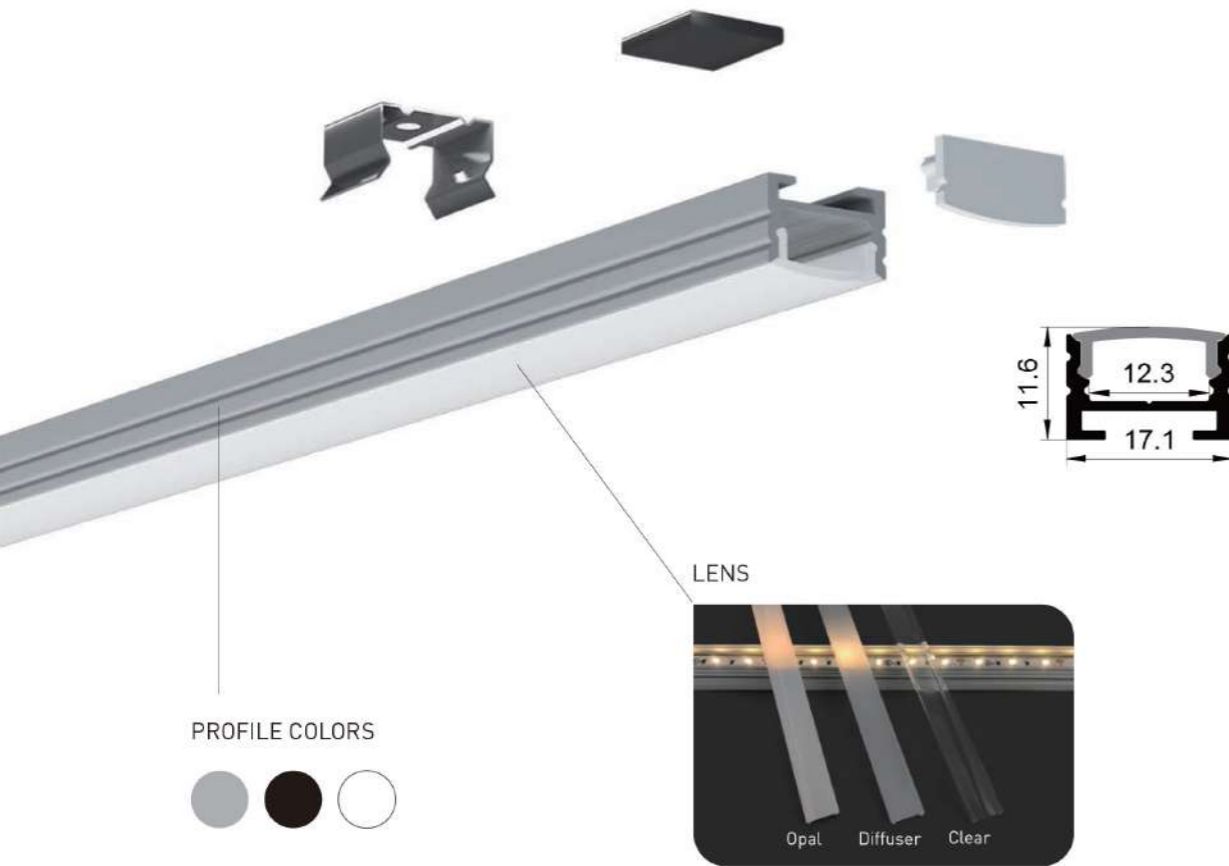
RECOMMEND LIGHT SOURCE

Performance	Part Code	LED QTY	Input Vol.	Power	CRI	Light Source Lumen	Diffuser Lens Lumen	Cutttable Length	Max Run	PCB Width
General	FN-H2835T-120	120pcs/m	12/24VDC	14.40 W/m	90+	1512 lm/m	680lm/m	12V=50mm	12V=5m	10 mm
					95+	1282 lm/m	577lm/m	24V=50mm	24V=9m	
High Efficiency	FN-H2835T-128	128pcs/m	12/24VDC	11.52 W/m	90+	1613 lm/m	726lm/m	12V=31.2mm	12V=3m	10 mm
					95+	1475 lm/m	664lm/m	24V=62.5mm	24V=6m	
	FN-H28350-160	160pcs/m	24VDC	24 W/m	90+	3480 lm/m	1739lm/m	50mm	3m	10 mm
					95+	1987 lm/m	894lm/m	12V=25mm	12V=3mm	
FN-H2835T-160	160pcs/m	12/24VDC	14.40 W/m	90+	1843 lm/m	829lm/m	24V=50mm	24V=5mm	10 mm	
				95+	1843 lm/m	829lm/m				
FN-H28350-192	192pcs/m	24VDC	28.8 W/m	90+	4176 lm/m	2086lm/m	41.7mm	2.5m	10 mm	
				95+	4176 lm/m	2086lm/m				
Long Run	LN-H2835T-80	80pcs/m	36VDC	5.18W/m	90+	580 lm/m	261lm/m	100mm	50mm	10 mm
	LN-H2835T-112	112pcs/m	48VDC	11.52 W/m	90+	1336 lm/m	601lm/m	125mm	25mm	10 mm
					95+	1106 lm/m	498lm/m			
LN-H2835T-120	120pcs/m	24VDC	6.00 W/m	90+	588 lm/m	265lm/m	50mm	21mm	10 mm	
				95+	486 lm/m	219lm/m				
Short Cut	FN-F2835A-120	120pcs/m	24VDC	21.60 W/m	90+	1922 lm/m	865lm/m	16.7mm	3.5mm	10 mm
					95+	1595 lm/m	718lm/m			



MAGNETIC SURFACE MOUNTED SERIES

► SL171212



Installation: Magnetic Surface Mounted
 Length Available: 1-3m
 Profile Color: Silver, Black Anodized, White Powder Coating
 Lens: Opal, Diffuser, Clear
 Input Cable: Endcaps, Profile Bottom, Profile Sides
 Quick Female/Male Connectors Input cable & Junction Box available

MAGNETIC SURFACE MOUNTED SERIES

► SL171212

ORDERING CODE

LUMINAIRE	FINISH	LENS	Vol.	Power	Ra	CRI	INSTALL. ACCS.	IP GRADE	CONTROL OPTOINS
SL171212	W White B Black S Silver	D Diffuser O Opal C Clear	24 24VDC	16.42W±10%	90 90+	22-2200K , 24-2400K 25-2500K , 27-2700K 30-3000K , 35-3500K 40-4000K , 50-5000K 65-6500K	D1 - Black&Red 22AWG D2 - Black&White 22AWG D3 - White PU protected 2 pin D4 - 3Pin cable for Tunable white	A - AMP male/female M - Molex male/female D - DC male/female	E - Through Endcaps B - Through profile end bottom S - Through profile side
						TW	Tunable White - check your executive sales		
						D2W	Dim To Warm - check your executive sales		

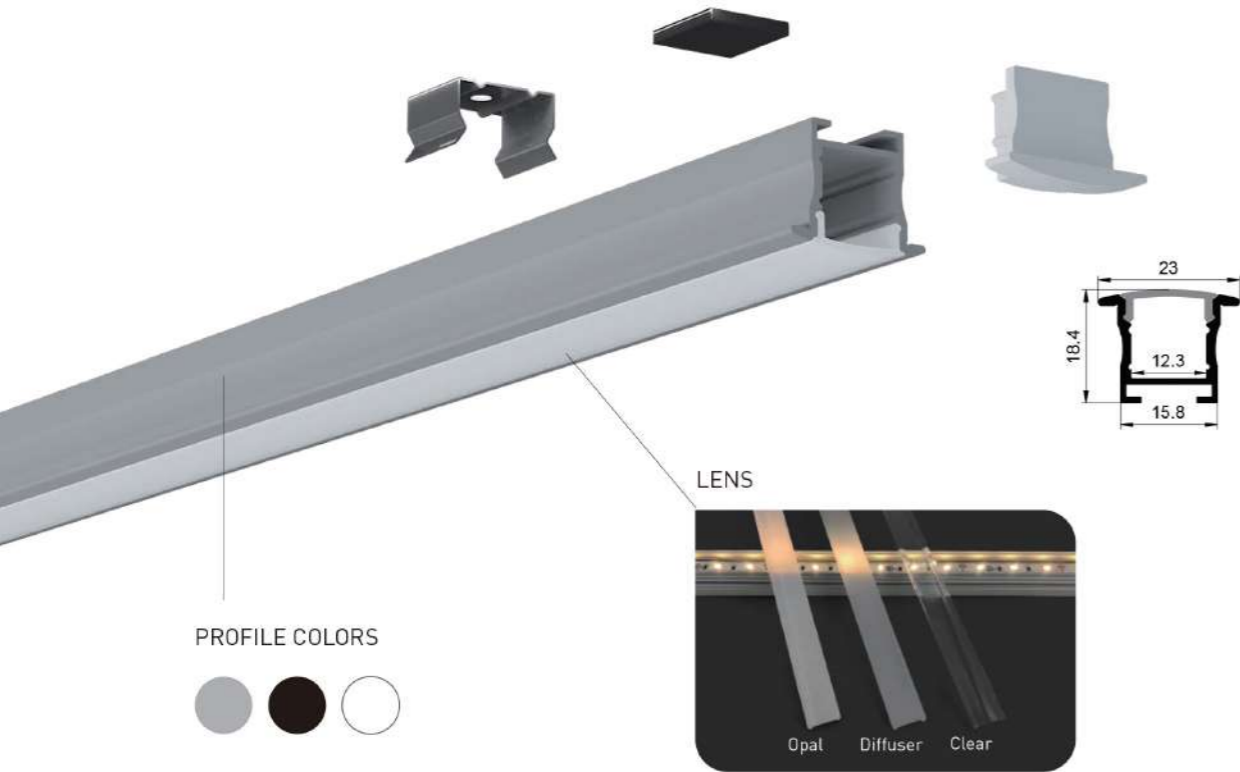
RECOMMEND LIGHT SOURCE

Performance	Part Code	LED QTY	Input Vol.	Power	CRI	Light Source Lumen	Diffuser Lens Lumen	Cutttable Length	Max Run	PCB Width
General	FN-2016-266	266pcs/m	24VDC	16.42W ± 10%	90+	1700 lm/m	765 lm/m	26.3mm	3M	10mm



MAGNETIC SURFACE MOUNTED SERIES

► SL251812



Installation: Magnetic Trimmed Recessed
 Length Available: 1-3m
 Profile Color: Silver, Black Anodized, White Powder Coating
 Lens: Opal, Diffuser, Clear
 Input Cable: Endcaps, Profile Bottom, Profile Sides
 Quick Female/Male Connectors Input cable & Junction Box available

MAGNETIC SURFACE MOUNTED SERIES

► SL251812

ORDERING CODE

LUMINAIRE	FINISH	LENS	Vol.	Power	Ra	CRI	INSTALL ACCS.	IP GRADE	CONTROL OPTOINS
SL251812	W White	D Diffuser	12 12VDC	14.40W/m	90 90+	22-2200K, 24-2400K, 25-2500K 27-2700K, 30-3000K, 35-3500K 40-4000K, 50-5000K, 65-6500K	01 - Black&Red 22AWG	A - AMP male/female M - Molex male/female D - DC male/female	E - Through Endcaps B - Through profile end bottom S - Through profile side
	B Black	O Opal	24 24VDC	11.52W/m	95 95+	22-2200K, 25-2500K, 27-2700K 30-3000K, 35-3500K, 40-4000K 50-5000K, 65-6500K	02 - Black&White 22AWG		
	S Silver	C Clear	36 36VDC	24.00W/m	TW	Tunable White - check your executive sales	03 - White PU protected 2 pin		
			48 48VDC	28.80W/m	DZW	Dim To Warm - check your executive sales	04 - 3Pin cable for Tunable white		
			5.18W/m	6.00W/m					
			21.60W/m						

RECOMMEND LIGHT SOURCE

Performance	Part Code	LED QTY	Input Vol.	Power	CRI	Light Source Lumen	Diffuser Lens Lumen	Cutttable length	Max Run	PCB Width
General	FN-H2835T-120	120pcs/m	12/24VDC	14.40 W/m	90+	1512 lm/m	680lm/m	12V=50mm	12V=5m	10 mm
					95+	1282 lm/m	577lm/m	24V=50mm	24V=9m	
High Efficiency	FN-H2835T-128	128pcs/m	12/24VDC	11.52 W/m	90+	1613 lm/m	726lm/m	12V=31.2mm	12V=3m	10 mm
					95+	1475 lm/m	664lm/m	24V=62.5mm	24V=6m	
	FN-H28350-160	160pcs/m	24VDC	24 W/m	90+	3480 lm/m	1739lm/m	50mm	3m	10 mm
					95+	1843 lm/m	829lm/m	12V=25mm	12V=3mm	
Long Run	LN-H2835T-80	80pcs/m	36VDC	5.18W/m	90+	580 lm/m	261lm/m	100mm	50mm	10 mm
					95+	482 lm/m	217lm/m			
	LN-H2835T-112	112pcs/m	48VDC	11.52 W/m	90+	1336 lm/m	601lm/m	125mm	25mm	10 mm
					95+	1106 lm/m	498lm/m			
	LN-H2835T-120	120pcs/m	24VDC	6.00 W/m	90+	588 lm/m	265lm/m	50mm	21mm	10 mm
					95+	486 lm/m	219lm/m			
Short Cut	FN-F2835A-120	120pcs/m	24VDC	21.60 W/m	90+	1922 lm/m	865lm/m	16.7mm	3.5mm	10 mm
					95+	1595 lm/m	718lm/m			



MAGNETIC SURFACE MOUNTED SERIES

► SL251212



MAGNETIC SURFACE MOUNTED SERIES

► SL251212

ORDERING CODE

LUMINAIRE	FINISH	LENS	Vol.	Power	Ra	CRI	INSTALL ACCS.	IP GRADE	CONTROL OPTOINS
SL251212	W White B Black S Silver	D Diffuser O Opal C Clear	24 24VDC	16.42W±10%	90 90+	22-2200K , 24-2400K 25-2500K , 27-2700K 30-3000K , 35-3500K 40-4000K , 50-5000K 65-6500K	01 - Black&Red 22AWG 02 - Black&White 22AWG 03 - White PU protected 2 pin 04 - 3Pin cable for Tunable white	A - AMP male/female M - Molex male/female D - DC male/female	E - Through Endcaps B - Through profile end bottom S - Through profile side
					TW	Tunable White - check your executive sales			
					D2W	Dim To Warm - check your executive sales			

RECOMMEND LIGHT SOURCE

Performance	Part Code	LED QTY	Input Vol.	Power	CRI	Light Source Lumen	Diffuser Lens Lumen	Cutttable length	Max Run	PCB Width
General	FN-2016-266	266pcs/m	24VDC	16.42W ± 10%	90+	1700 lm/m	765lm/m	26.3mm	3M	10mm



Installation: Magnetic Trimmed Recessed
 Length Available: 1-3m
 Profile Color: Silver, Black Anodized, White Powder Coating
 Lens: Opal, Diffuser, Clear
 Input Cable: Endcaps, Profile Bottom, Profile Sides
 Quick Female/Male Connectors Input cable & Junction Box available

MAGNETIC SURFACE MOUNTED SERIES

► SL2116B13



MAGNETIC SURFACE MOUNTED SERIES

► SL2116B13

ORDERING CODE

LUMINAIRE	FINISH	LENS	Vol.	Power	Ra	CRI	INSTALL ACCS.	IP GRADE	CONTROL OPTOINS
SL2116B13	W White B Black S Silver	D Diffuser O Opal C Clear	24 24VDC	16.42W±10%	90 90+	22-2200K , 24-2400K 25-2500K , 27-2700K 30-3000K , 35-3500K 40-4000K , 50-5000K 65-6500K	01 - Black&Red 22AWG 02 - Black&White 22AWG 03 - White PU protected 2 pin 04 - 3Pin cable for Tunable white	A - AMP male/female M - Molex male/female D - DC male/female	E - Through Endcaps B - Through profile end bottom S - Through profile side
					TW	Tunable White - check your executive sales			
					DZW	Dim To Warm - check your executive sales			

RECOMMEND LIGHT SOURCE

Performance	Part Code	LED QTY	Input Vol.	Power	CRI	Light Source Lumen	Diffuser Lens Lumen	Cutttable length	Max Run	PCB Width
General	FN-2016-266	266pcs/m	24VDC	16.42W ± 10%	90+	1700 lm/m	765 lm/m	26.3mm	3M	10mm



Installation: Magnetic Trimmed Recess
 Length Available: 1-3m
 Profile Color: Silver, Black Anodized, White Powder Coating
 Lens: Opal, Diffuser, Clear
 Input Cable: Endcaps, Profile Bottom, Profile Sides
 Quick Female/Male Connectors Input cable & Junction Box available