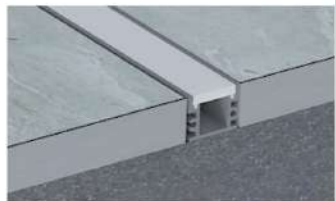
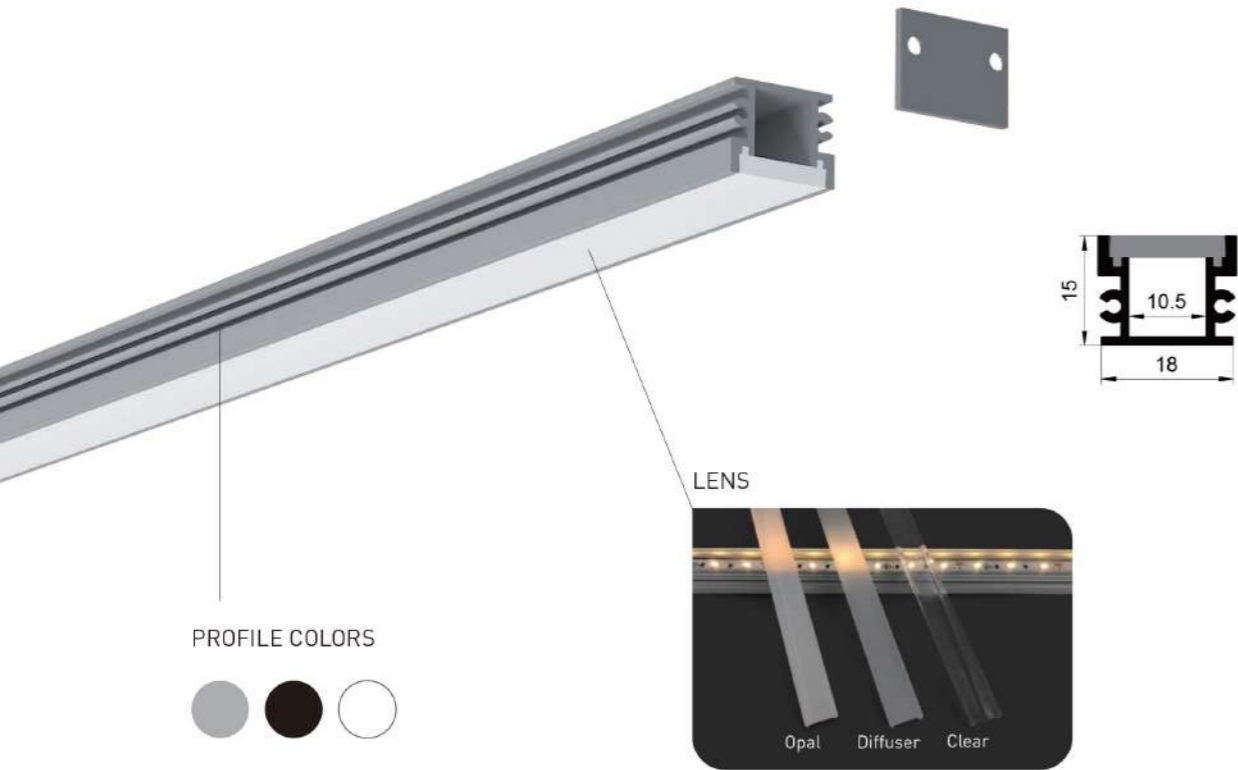


INGROUND SERIES

► SL181410



Installation: Inground Trimless Recessed
 Length Available: 1-3m
 Profile Color: Silver, Black Anodized, White Powder Coating
 Lens: Opal, Diffuser, Clear
 Input Cable: Endcaps, Profile Bottom, Profile Sides
 Quick Female/Male Connectors Input cable & Junction Box available

INGROUND SERIES

► SL181410

ORDERING CODE

LUMINAIRE	FINISH	LENS	Vol.	Power	Ra	CRI	INSTALL ACCS.	IP GRADE	CONTROL OPTAINS
SL181410	W White	D Diffuser	12 12VDC	14.40W/m	90	22-2200K , 24-2400K , 25-2500K	01 - Black&Red 22AWG	A - AMP male/female M - Molex male/female D - DC male/female	E - Through Endcaps B - Through profile end bottom S - Through profile side
	B Black	O Opal	24 24VDC	11.52W/m	90+	27-2700K , 30-3000K , 35-3500K 40-4000K , 50-5000K , 65-6500K			
	S Silver	C Clear	36 36VDC	24.00W/m	95	22-2200K , 25-2500K , 27-2700K	02 - Black&White 22AWG		
			48 48VDC	28.80W/m	95+	30-3000K , 35-3500K , 40-4000K 50-5000K , 65-6500K			
				5.18W/m	TW	Tunable White - check your executive sales	03 - White PU protected 2 pin		
				6.00W/m	D2W	Dim To Warm - check your executive sales	04 - 3Pin cable for Tunable white		
				21.60W/m					

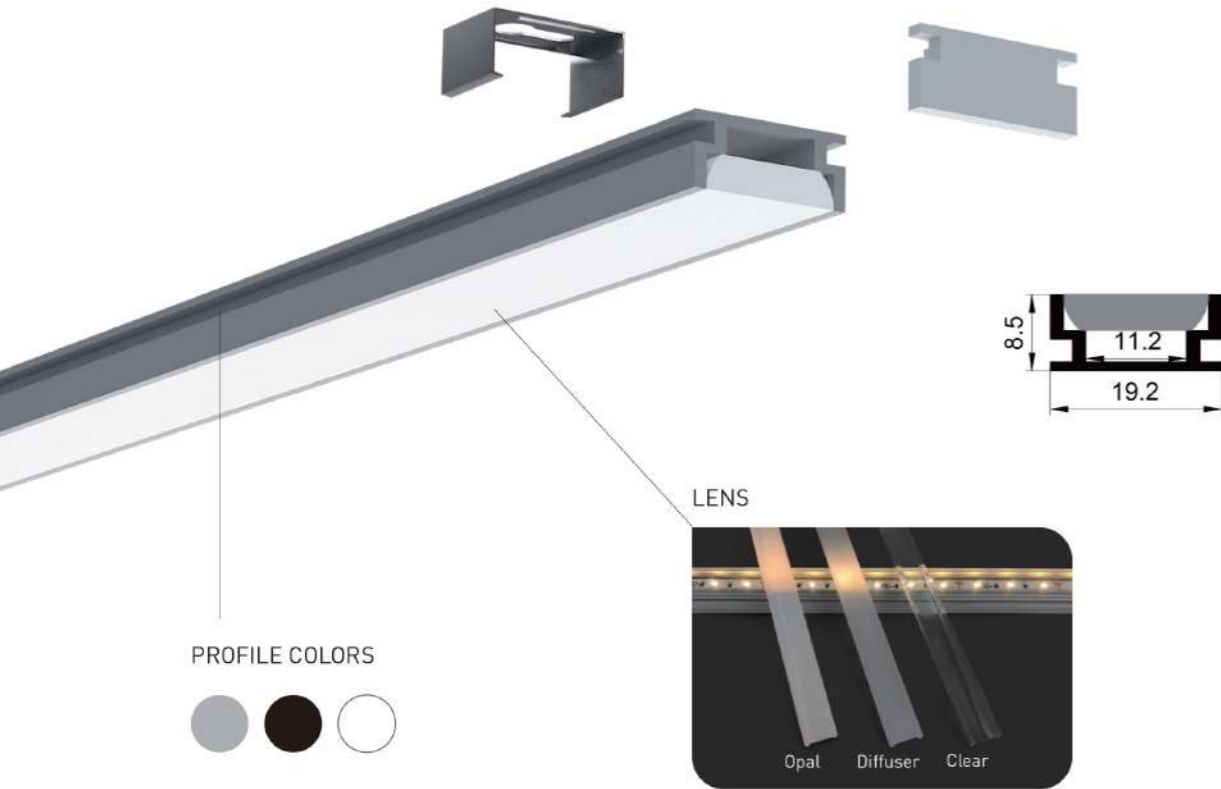
RECOMMEND LIGHT SOURCE

Performance	Part Code	LED QTY	Input Vol.	Power	CRI	Light Source Lumen	Diffuser Lens Lumen	Cutttable length	Max Run	PCB Width
General	FN-H2835T-120	120pcs/m	12/24VDC	14.40 W/m	90+	1512 lm/m	605 lm/m	12V=50mm	12V=5m	10 mm
					95+	1282 lm/m	513 lm/m	24V=50mm	24V=9m	
High Efficiency	FN-H2835T-128	128pcs/m	12/24VDC	11.52 W/m	90+	1613 lm/m	645 lm/m	12V=31.2mm	12V=3m	10 mm
					95+	1475 lm/m	590 lm/m	24V=62.5mm	24V=6m	
	FN-H28350-160	160pcs/m	24VDC	24 W/m	90+	3480 lm/m	1546 lm/m	50mm	3m	10 mm
					95+	1987 lm/m	795 lm/m	12V=25mm	12V=3mm	
FN-H2835T-160	160pcs/m	12/24VDC	14.40 W/m	90+	1843 lm/m	737 lm/m	24V=50mm	24V=5mm	10 mm	
				95+	1843 lm/m	737 lm/m				
Long Run	LN-H2835T-80	80pcs/m	36VDC	5.18W/m	90+	4176 lm/m	1854 lm/m	41.7mm	2.5m	10 mm
					95+	580 lm/m	232 lm/m	100mm	50mm	
	LN-H2835T-112	112pcs/m	48VDC	11.52 W/m	90+	1336 lm/m	534 lm/m	125mm	25mm	10 mm
95+					1106 lm/m	442 lm/m				
LN-H2835T-120	120pcs/m	24VDC	6.00 W/m	90+	588 lm/m	235 lm/m	50mm	21mm	10 mm	
				95+	486 lm/m	194 lm/m				
Short Cut	FN-F2835A-120	120pcs/m	24VDC	21.60 W/m	90+	1922 lm/m	769 lm/m	16.7mm	3.5mm	10 mm
					95+	1595 lm/m	638 lm/m			



INGROUND SERIES

► SL190811



PROFILE COLORS



Opal Diffuser Clear



Installation: Inground Trimless Recessed
 Length Available: 1-3m
 Profile Color: Silver, Black Anodized, White Powder Coating
 Lens: Opal, Diffuser, Clear
 Input Cable: Endcaps, Profile Bottom, Profile Sides
 Quick Female/Male Connectors Input cable & Junction Box available

INGROUND SERIES

► SL190811

ORDERING CODE

LUMINAIRE	FINISH	LENS	Vol.	Power	Ra	CRI	INSTALL ACCS.	IP GRADE	CONTROL OPTOINS
SL190811	W White	D Diffuser	24 24VDC	12.96W ± 10% 17.28W ± 10%	90 90+	22-2200K , 24-2400K 25-2500K , 27-2700K 30-3000K , 35-3500K 40-4000K , 50-5000K 65-6500K	01 - Black&Red 22AWG	A - AMP male/female	E - Through Endcaps
	B Black	O Opal					02 - Black&White 22AWG	M - Molex male/female	B - Through profile end bottom
	S Silver	C Clear				TW Tunable White - check your executive sales	03 - White PU protected 2 pin	D - DC male/female	S - Through profile side
						D2W Dim To Warm - check your executive sales	04 - 3Pin cable for Tunable white		

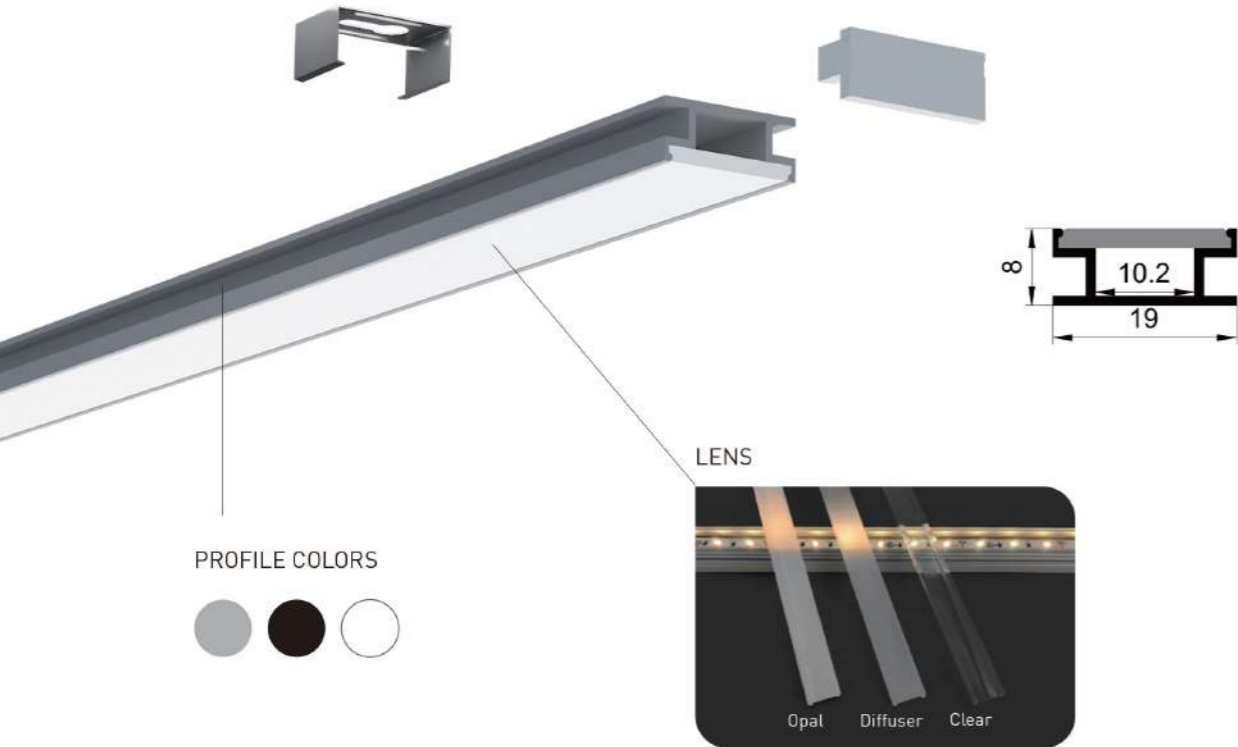
RECOMMEND LIGHT SOURCE

Part Code	LED QTY	Input Vol.	Power	CRI	Light Source Lumen	Diffuser Lens Lumen	Cutttable length	Max Run	PCB Width
FN-2016-180	180pcs/m	24VDC	12.96W ± 10%	90+	1000 lm/m	400 lm/m	33mm	3M	10mm
FN-2016-240	240pcs/m		17.28W ± 10%	90+	1300 lm/m	520 lm/m	25mm		



INGROUND SERIES

► SL1908B10



Installation: Inground Trimless Recessed
 Length Available: 1-3m
 Profile Color: Silver, Black Anodized, White Powder Coating
 Lens: Opal, Diffuser, Clear
 Input Cable: Endcaps, Profile Bottom, Profile Sides
 Quick Female/Male Connectors Input cable & Junction Box available

INGROUND SERIES

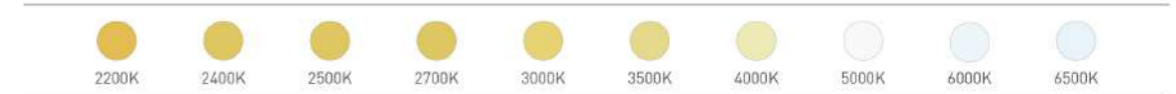
► SL1908B10

ORDERING CODE

LUMINAIRE	FINISH	LENS	Vol.	Power	Ra	CRI	INSTALL ACCS.	IP GRADE	CONTROL OPTOINS
SL1908B10	W White	D Diffuser	24 24VDC	12.96W ± 10% 17.28W ± 10%	90 90+	22-2200K , 24-2400K 25-2500K , 27-2700K 30-3000K , 35-3500K 40-4000K , 50-5000K 65-6500K	01 - Black&Red 22AWG	A - AMP male/female	E - Through Endcaps
	B Black	O Opal					02 - Black&White 22AWG	M - Molex male/female	B - Through profile end bottom
	S Silver	C Clear				TW Tunable White - check your executive sales	03 - White PU protected 2 pin	D - DC male/female	S - Through profile side
						D2W Dim To Warm - check your executive sales	04 - 3Pin cable for Tunable white		

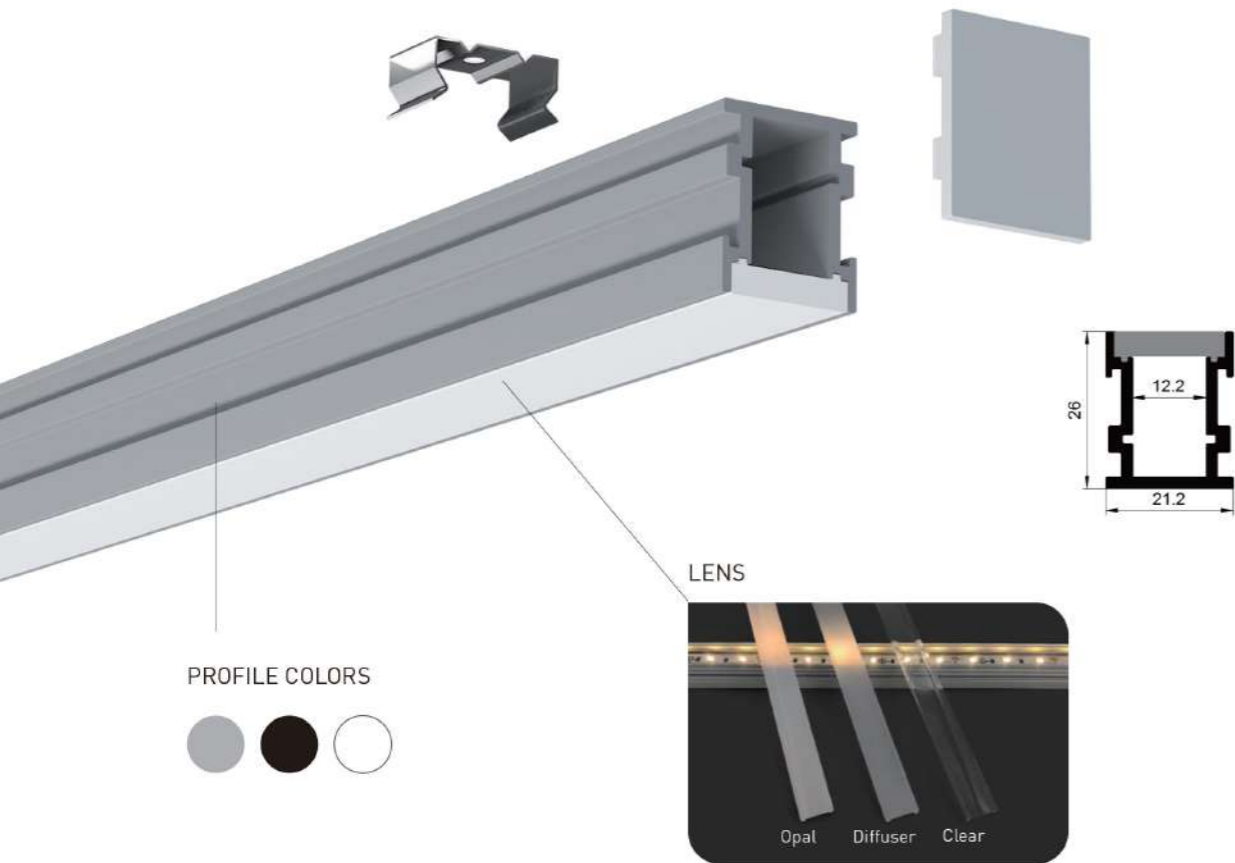
RECOMMEND LIGHT SOURCE

Part Code	LED QTY	Input Vol.	Power	CRI	Light Source Lumen	Diffuser Lens Lumen	Cuttable length	Max Run	PCB Width
FN-2016-180	180pcs/m	24VDC	12.96W ± 10%	90+	1000 lm/m	400 lm/m	33mm	3M	10mm
FN-2016-240	240pcs/m		17.28W ± 10%	90+	1300 lm/m	520 lm/m	25mm		



INGROUND SERIES

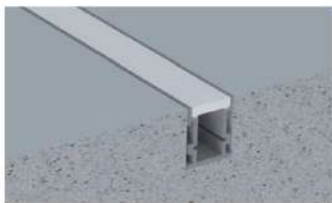
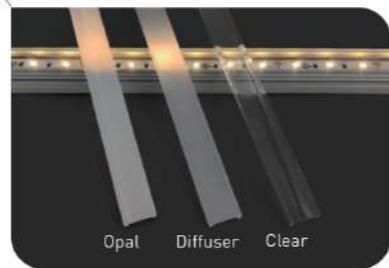
► SL212612



PROFILE COLORS



LENS



Installation: Inground Trimless Recessed
 Length Available: 1-3m
 Profile Color: Silver, Black Anodized, White Powder Coating
 Lens: Opal, Diffuser, Clear
 Input Cable: Endcaps, Profile Bottom, Profile Sides
 Quick Female/Male Connectors Input cable & Junction Box available

INGROUND SERIES

► SL212612

ORDERING CODE

LUMINAIRE	FINISH	LENS	Vol.	Power	Ra	CRI	INSTALL ACCS.	IP GRADE	CONTROL OPTAINS
SL212612	W White	D Diffuser	12 12VDC	14.40W/m	90	22-2200K , 24-2400K , 25-2500K 27-2700K , 30-3000K , 35-3500K 40-4000K , 50-5000K , 65-6500K	01 - Black&Red 22AWG	A - AMP male/female M - Molex male/female D - DC male/female	E - Through Endcaps B - Through profile end bottom S - Through profile side
	B Black	O Opal	24 24VDC	11.52W/m	90+				
	S Silver	C Clear	36 36VDC	24.00W/m	95	22-2200K , 25-2500K , 27-2700K 30-3000K , 35-3500K , 40-4000K 50-5000K , 65-6500K	02 - Black&White 22AWG		
			48 48VDC	28.80W/m	95+				
			5.18W/m	TW	Tunable White - check your executive sales	03 - White PU protected 2 pin			
			6.00W/m	D2W	Dim To Warm - check your executive sales	04 - 3Pin cable for Tunable white			
			21.60W/m						

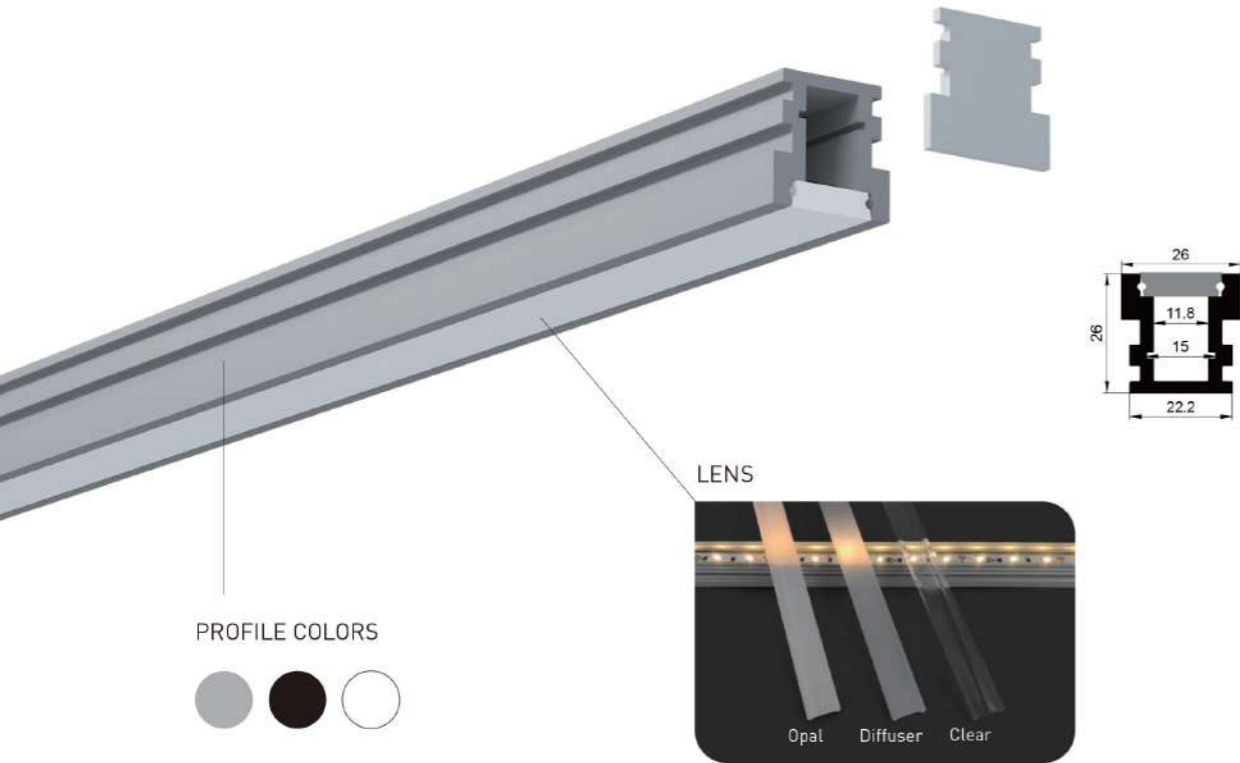
RECOMMEND LIGHT SOURCE

Performance	Part Code	LED QTY	Input Vol.	Power	CRI	Light Source Lumen	Diffuser Lens Lumen	Cutttable Length	Max Run	PCB Width
General	FN-H2835T-120	120pcs/m	12/24VDC	14.40 W/m	90+	1512 lm/m	605 lm/m	12V=50mm 24V=50mm	12V=5m 24V=9m	10 mm
					95+	1282 lm/m	513 lm/m			
High Efficiency	FN-H2835T-128	128pcs/m	12/24VDC	11.52 W/m	90+	1613 lm/m	645 lm/m	12V=31.2mm 24V=62.5mm	12V=3m 24V=6m	10 mm
					95+	1475 lm/m	590 lm/m			
	FN-H28350-160	160pcs/m	24VDC	24 W/m	90+	3480 lm/m	1546 lm/m	50mm	3m	10 mm
					95+	1843 lm/m	737 lm/m			
Long Run	LN-H2835T-80	80pcs/m	36VDC	5.18W/m	90+	580 lm/m	232 lm/m	100mm	50mm	10 mm
					95+	482 lm/m	193 lm/m			
	LN-H2835T-112	112pcs/m	48VDC	11.52 W/m	90+	1336 lm/m	534 lm/m	125mm	25mm	10 mm
Short Cut	FN-F2835A-120	120pcs/m	24VDC	6.00 W/m	90+	588 lm/m	235 lm/m	50mm	21mm	10 mm
					95+	486 lm/m	194 lm/m			
Short Cut	FN-F2835A-120	120pcs/m	24VDC	21.60 W/m	90+	1922 lm/m	769 lm/m	16.7mm	3.5mm	10 mm
					95+	1595 lm/m	638 lm/m			



INGROUND SERIES

► SL262611



Installation: Inground Trimless Recessed
 Length Available: 1-3m
 Profile Color: Silver, Black Anodized, White Powder Coating
 Lens: Opal, Diffuser, Clear
 Input Cable: Endcaps, Profile Bottom, Profile Sides
 Quick Female/Male Connectors Input cable & Junction Box available

INGROUND SERIES

► SL262611

ORDERING CODE

LUMINAIRE	FINISH	LENS	Vol.	Power	Ra	CRI	INSTALL ACCS.	IP GRADE	CONTROL OPTOINS
SL262611	W White	D Diffuser	12 12VDC	14.40W/m	90 90+	22-2200K, 24-2400K, 25-2500K 27-2700K, 30-3000K, 35-3500K 40-4000K, 50-5000K, 65-6500K	01 - Black&Red 22AWG	A - AMP male/female M - Molex male/female D - DC male/female	E - Through Endcaps B - Through profile end bottom S - Through profile side
	B Black	O Opal	24 24VDC	24.00W/m	95 95+	22-2200K, 25-2500K, 27-2700K 30-3000K, 35-3500K, 40-4000K 50-5000K, 65-6500K	02 - Black&White 22AWG		
	S Silver	C Clear	36 36VDC	28.80W/m	TW	Tunable White - check your executive sales	03 - White PU protected 2 pin		
			48 48VDC	5.18W/m 6.00W/m 21.60W/m	D2W	Dim To Warm - check your executive sales	04 - 3Pin cable for Tunable white		

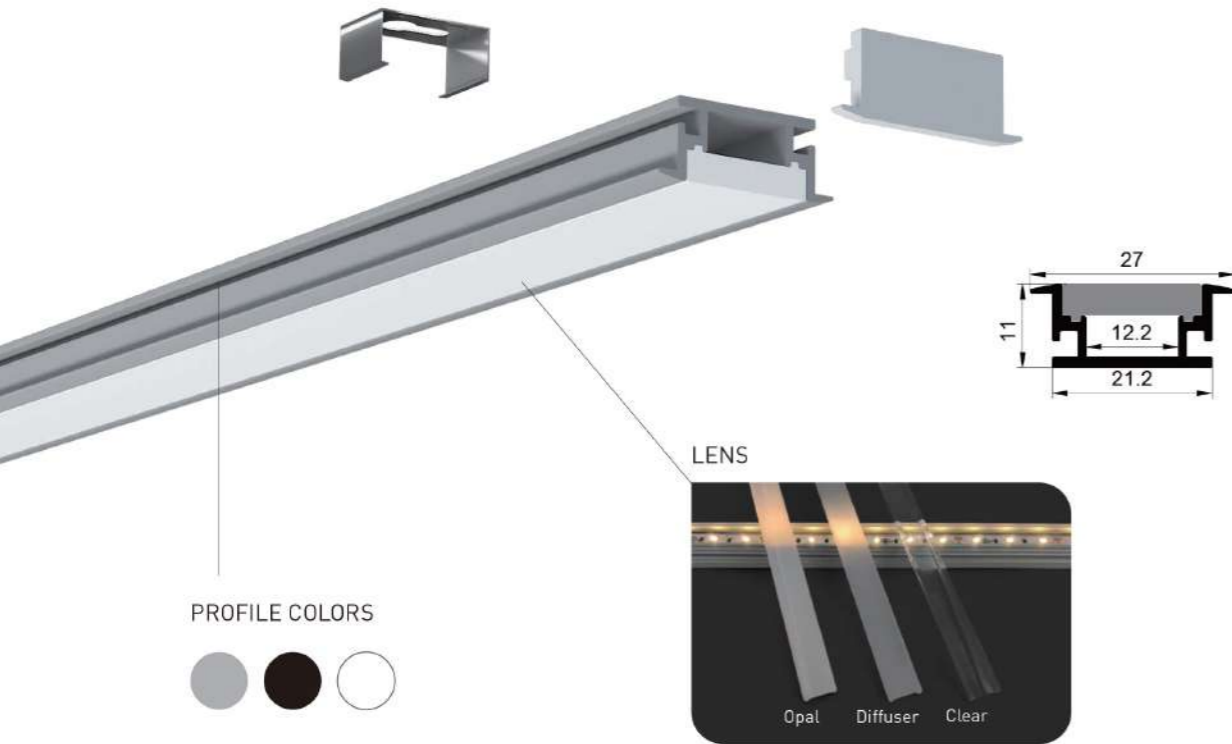
RECOMMEND LIGHT SOURCE

Performance	Part Code	LED QTY	Input Vol.	Power	CRI	Light Source Lumen	Diffuser Lens Lumen	Cutttable length	Max Run	PCB Width
General	FN-H2835T-120	120pcs/m	12/24VDC	14.40 W/m	90+	1512 lm/m	605 lm/m	12V=50mm 24V=50mm	12V=5m 24V=9m	10 mm
					95+	1282 lm/m	513 lm/m			
High Efficiency	FN-H2835T-128	128pcs/m	12/24VDC	11.52 W/m	90+	1613 lm/m	645 lm/m	12V=31.2mm 24V=62.5mm	12V=3m 24V=6m	10 mm
					95+	1475 lm/m	590 lm/m			
	FN-H28350-160	160pcs/m	24VDC	24 W/m	90+	3480 lm/m	1546 lm/m	50mm	3m	10 mm
					95+	1843 lm/m	737 lm/m	12V=25mm 24V=50mm	12V=3mm 24V=5mm	10 mm
FN-H28350-192	192pcs/m	24VDC	28.8 W/m	90+	4176 lm/m	1854 lm/m	41.7mm	2.5m	10 mm	
				95+	482 lm/m	193 lm/m	100mm	50mm	10 mm	
Long Run	LN-H2835T-80	80pcs/m	36VDC	5.18W/m	90+	580 lm/m	232 lm/m	100mm	50mm	10 mm
					95+	482 lm/m	193 lm/m			
	LN-H2835T-112	112pcs/m	48VDC	11.52 W/m	90+	1336 lm/m	534 lm/m	125mm	25mm	10 mm
					95+	1106 lm/m	442 lm/m			
LN-H2835T-120	120pcs/m	24VDC	6.00 W/m	90+	588 lm/m	235 lm/m	50mm	21mm	10 mm	
				95+	486 lm/m	194 lm/m				
Short Cut	FN-F2835A-120	120pcs/m	24VDC	21.60 W/m	90+	1922 lm/m	769 lm/m	16.7mm	3.5mm	10 mm
					95+	1595 lm/m	638 lm/m			



INGROUND SERIES

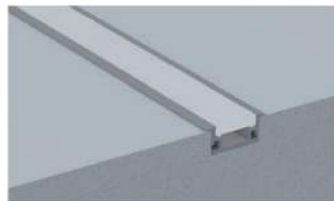
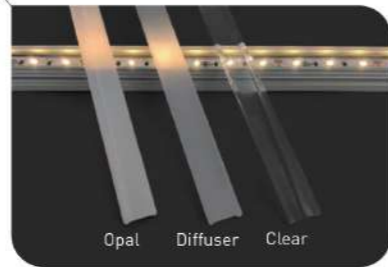
► SL271112



PROFILE COLORS



LENS



Installation: Inground Trimmed Recessed
 Length Available: 1-3m
 Profile Color: Silver, Black Anodized, White Powder Coating
 Lens: Opal, Diffuser, Clear
 Input Cable: Endcaps, Profile Bottom, Profile Sides
 Quick Female/Male Connectors Input cable & Junction Box available

INGROUND SERIES

► SL271112

ORDERING CODE

LUMINAIRE	FINISH	LENS	Vol.	Power	Ra	CRI	INSTALL ACCS.	IP GRADE	CONTROL OPTOINS
SL271112	W White	D Diffuser	24 24VDC	12.96W ± 10% 17.28W ± 10%	90 90+	22-2200K , 24-2400K 25-2500K , 27-2700K 30-3000K , 35-3500K 40-4000K , 50-5000K 65-6500K	01 - Black&Red 22AWG 02 - Black&White 22AWG 03 - White PU protected 2 pin 04 - 3Pin cable for Tunable white	A - AMP male/female M - Molex male/female D - DC male/female	E - Through Endcaps B - Through profile end bottom S - Through profile side
	B Black	O Opal				TW	Tunable White - check your executive sales		
	S Silver	C Clear				D2W	Dim To Warm - check your executive sales		

RECOMMEND LIGHT SOURCE

Part Code	LED QTY	Input Vol.	Power	CRI	Light Source Lumen	Diffuser Lens Lumen	Cutttable length	Max Run	PCB Width
FN-2016-180	180pcs/m	24VDC	12.96W ± 10%	90+	1000 lm/m	400 lm/m	33mm	3M	10mm
FN-2016-240	240pcs/m		17.28W ± 10%	90+	1300 lm/m	520 lm/m	25mm		

