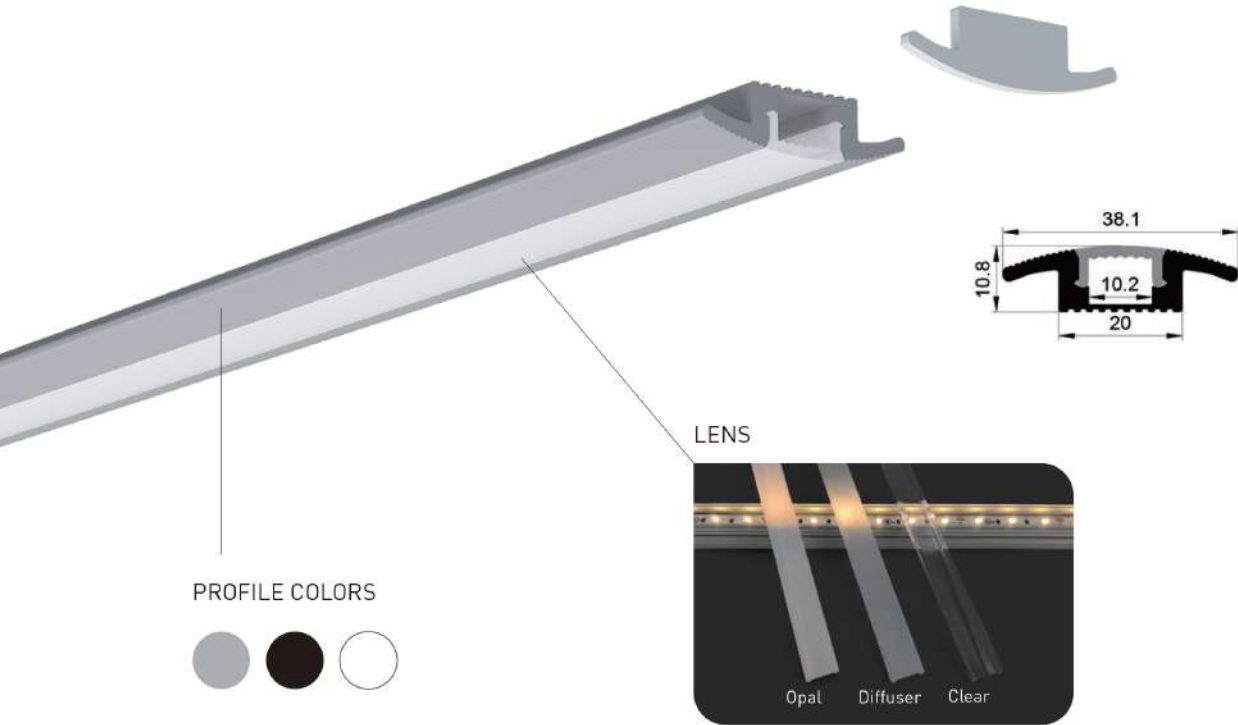


# CARPET SERIES

► SL3810R10



Installation: Carpet Trimmed Recessed  
 Length Available: 1-3m  
 Profile Color: Silver, Black Anodized, White Powder Coating  
 Lens: Opal, Diffuser, Clear  
 Input Cable: Endcaps, Profile Bottom, Profile Sides  
 Quick Female/Male Connectors Input cable & Junction Box available

# CARPET SERIES

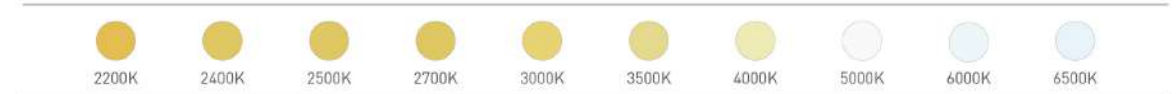
► SL3810R10

## ORDERING CODE

LUMINAIRE	FINISH	LENS	Vol.	Power	Ra	CRI	INSTALL ACCS.	IP GRADE	CONTROL OPTOINS
SL3810R10	W White	D Diffuser	24 24VDC	12.96W ± 10% 17.28W ± 10%	90 90+	22-2200K , 24-2400K 25-2500K , 27-2700K 30-3000K , 35-3500K 40-4000K , 50-5000K 65-6500K	01 - Black&Red 22AWG	A - AMP male/female	E - Through Endcaps
	B Black	O Opal					02 - Black&White 22AWG	M - Molex male/female	B - Through profile end bottom
	S Silver	C Clear				TW Tunable White - check your executive sales	03 - White PU protected 2 pin	D - DC male/female	S - Through profile side
						D2W Dim To Warm - check your executive sales	04 - 3Pin cable for Tunable white		

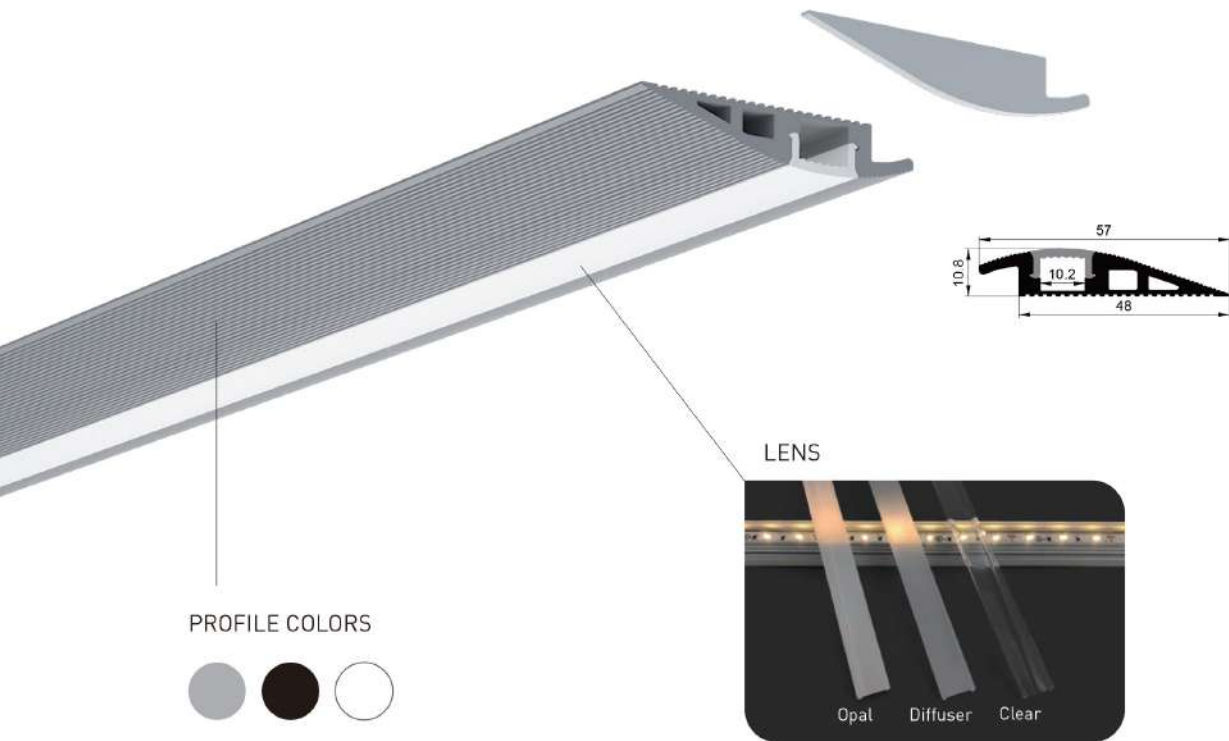
## RECOMMEND LIGHT SOURCE

Part Code	LED QTY	Input Vol.	Power	CRI	Light Source Lumen	Diffuser Lens Lumen	Cuttible length	Max Run	PCB Width
FN-2016-180	180pcs/m	24VDC	12.96W ± 10%	90+	1000 lm/m	450 lm/m	33mm	3M	10mm
FN-2016-240	240pcs/m		17.28W ± 10%	90+	1300 lm/m	585 lm/m	25mm		

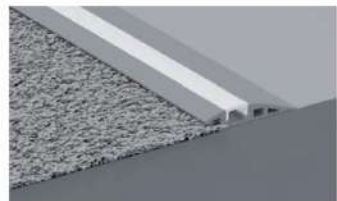
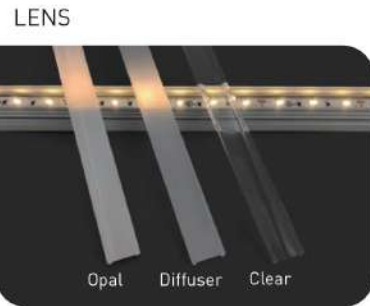


# CARPET SERIES

► SL5710R10



PROFILE COLORS



Installation: Carpet Trimmed Recessed  
 Length Available: 1-3m  
 Profile Color: Silver, Black Anodized, White Powder Coating  
 Lens: Opal, Diffuser, Clear  
 Input Cable: Endcaps, Profile Bottom, Profile Sides  
 Quick Female/Male Connectors Input cable & Junction Box available

# CARPET SERIES

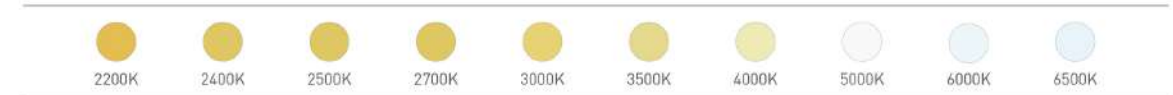
► SL5710R10

## ORDERING CODE

LUMINAIRE	FINISH	LENS	Vol.	Power	Ra	CRI	INSTALL ACCS.	IP GRADE	CONTROL OPTOINS
SL5710R10	W White	D Diffuser	24 24VDC	12.96W ± 10% 17.28W ± 10%	90 90+	22-2200K , 24-2400K 25-2500K , 27-2700K 30-3000K , 35-3500K 40-4000K , 50-5000K 65-6500K	01 - Black&Red 22AWG  02 - Black&White 22AWG  03 - White PU protected 2 pin  04 - 3Pin cable for Tunable white	A - AMP male/female  M - Molex male/female  D - DC male/female	E - Through Endcaps  B - Through profile end bottom  S - Through profile side
	B Black	O Opal				TW Tunable White - check your executive sales			
	S Silver	C Clear				D2W Dim To Warm - check your executive sales			

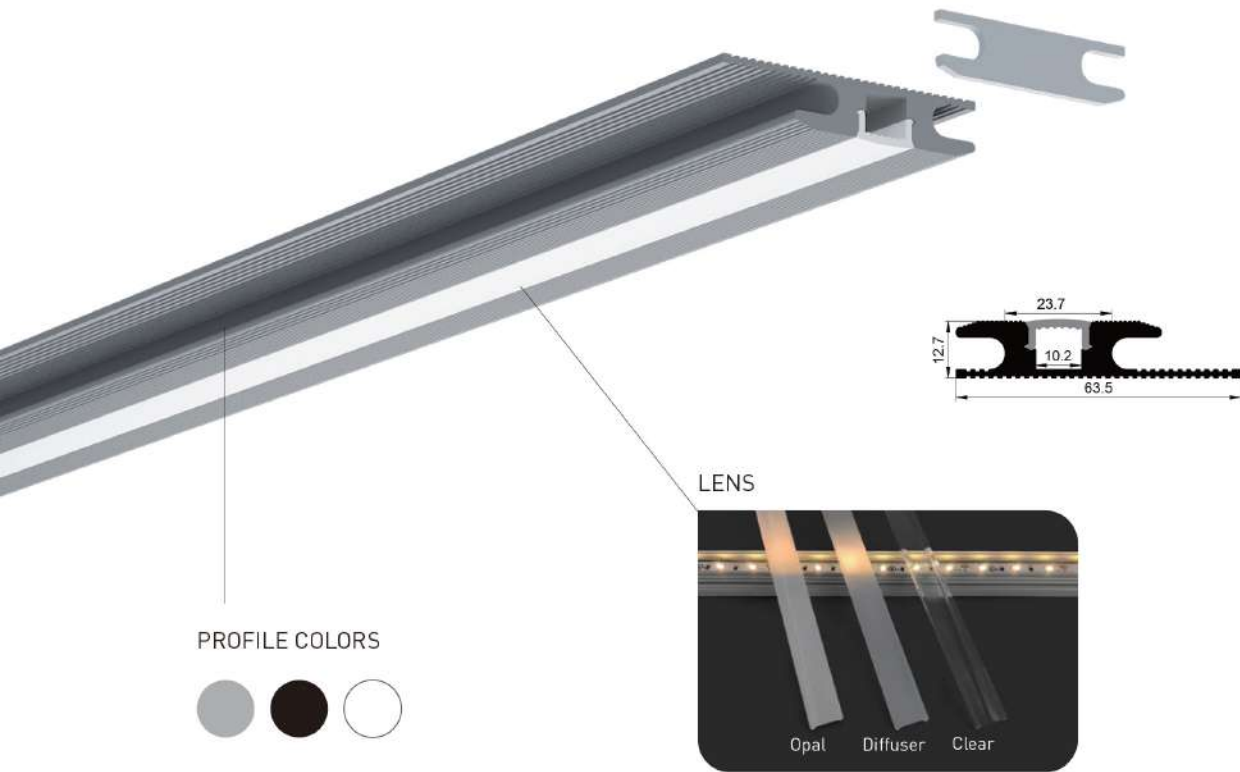
## RECOMMEND LIGHT SOURCE

Part Code	LED QTY	Input Vol.	Power	CRI	Light Source Lumen	Diffuser Lens Lumen	Cutttable length	Max Run	PCB Width
FN-2016-180	180pcs/m	24VDC	12.96W ± 10%	90+	1000 lm/m	450 lm/m	33mm	3M	10mm
FN-2016-240	240pcs/m		17.28W ± 10%	90+	1300 lm/m	585 lm/m	25mm		



# CARPET SERIES

► SL6310R10



PROFILE COLORS



Opal Diffuser Clear



Installation: Carpet Trimmed Recessed  
 Length Available: 1-3m  
 Profile Color: Silver, Black Anodized, White Powder Coating  
 Lens: Opal, Diffuser, Clear  
 Input Cable: Endcaps, Profile Bottom, Profile Sides  
 Quick Female/Male Connectors Input cable & Junction Box available

# CARPET SERIES

► SL6310R10

## ORDERING CODE

LUMINAIRE	FINISH	LENS	Vol.	Power	Ra	CRI	INSTALL ACCS.	IP GRADE	CONTROL OPTOINS			
SL6310R10	W White	D Diffuser	24 24VDC	12.96W ± 10%	90 90+	22-2200K , 24-2400K 25-2500K , 27-2700K 30-3000K , 35-3500K 40-4000K , 50-5000K 65-6500K	01 - Black&Red 22AWG	A - AMP male/female	E - Through Endcaps			
	B Black	O Opal		17.28W ± 10%						02 - Black&White 22AWG	M - Molex male/female	B - Through profile end bottom
	S Silver	C Clear								03 - White PU protected 2 pin	D - DC male/female	S - Through profile side
					TW	Tunable White - check your executive sales						
					D2W	Dim To Warm - check your executive sales	04 - 3Pin cable for Tunable white					

## RECOMMEND LIGHT SOURCE

Part Code	LED QTY	Input Vol.	Power	CRI	Light Source Lumen	Diffuser Lens Lumen	Cutttable Length	Max Run	PCB Width
FN-2016-180	180pcs/m	24VDC	12.96W ± 10%	90+	1000 lm/m	450 lm/m	33mm	3M	10mm
FN-2016-240	240pcs/m		17.28W ± 10%	90+	1300 lm/m	585 lm/m	25mm		

