

ANGULAR SURFACE MOUNTED

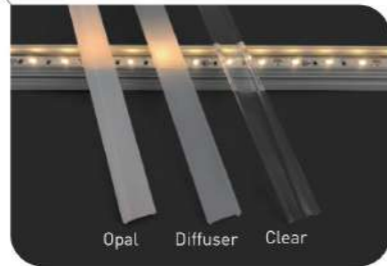
► SL1616B10



PROFILE COLORS



LENS



Installation: Angular Surface Mounted
 Length Available: 1-3m
 Profile Color: Silver, Black Anodized, White Powder Coating
 Lens: Opal, Diffuser, Clear
 Input Cable: Endcaps, Profile Bottom, Profile Sides
 Quick Female/Male Connectors Input cable & Junction Box available

ANGULAR SURFACE MOUNTED

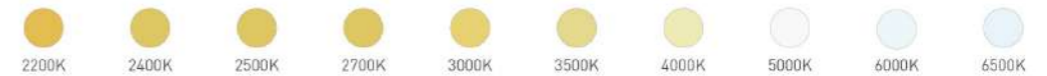
► SL1616B10

ORDERING CODE

| LUMINAIRE | FINISH | LENS | Vol. | Power | Ra | CRI | INSTALL ACCS. | IP GRADE | CONTROL OPTOINS |
|-----------|-------------|---------------|-------------|----------|-----|--|--|---|--|
| SL1616B10 | W White | D Diffuser | 12 12VDC | 14.40W/m | 90 | 22-2200K, 24-2400K, 25-2500K 27-2700K, 30-3000K, 35-3500K 40-4000K, 50-5000K, 65-6500K | 01 - Black&Red 22AWG 02 - Black&White 22AWG 03 - White PU protected 2 pin 04 - 3Pin cable for Tunable white | A - AMP male/female M - Molex male/female D - DC male/female | E - Through Endcaps B - Through profile end bottom S - Through profile side |
| | B Black | O Opal | 24 24VDC | 11.52W/m | 90+ | | | | |
| | S Silver | C Clear | 36 36VDC | 24.00W/m | 95 | 22-2200K, 25-2500K, 27-2700K 30-3000K, 35-3500K, 40-4000K 50-5000K, 65-6500K | | | |
| | | | 48 48VDC | 28.80W/m | 95+ | | | | |
| | | | | 5.18W/m | TW | Tunable White - check your executive sales | | | |
| | | | | 6.00W/m | | | | | |
| | | | | 21.60W/m | D2W | Dim To Warm - check your executive sales | | | |

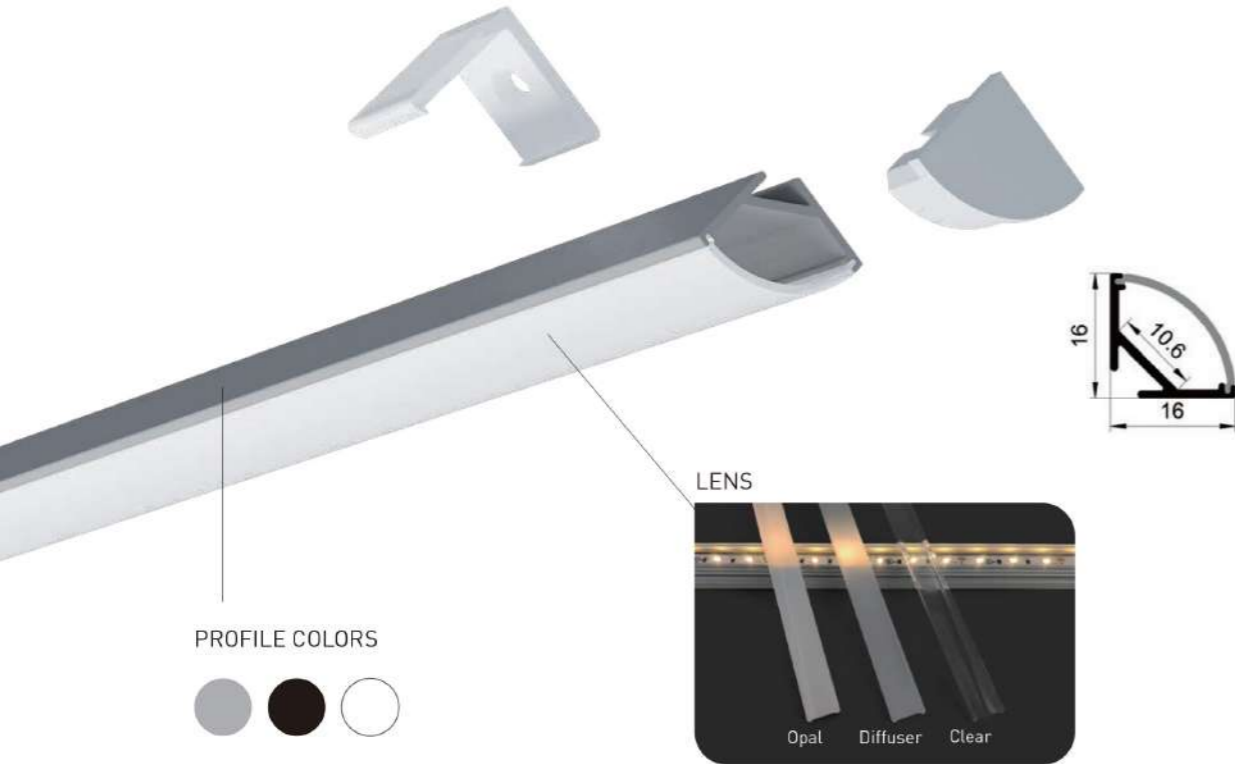
RECOMMEND LIGHT SOURCE

| Performance | Part Code | LED QTY | Input Vol. | Power | CRI | Light Source Lumen | Diffuser Lens Lumen | Cuttable length | Max Run | PCB Width |
|-----------------|---------------|----------|------------|-----------|-----|--------------------|---------------------|-----------------|---------|-----------|
| General | FN-H2835T-120 | 120pcs/m | 12/24VDC | 14.40 W/m | 90+ | 1512 lm/m | 1074 lm/m | 12V=50mm | 12V=5m | 10 mm |
| | | | | | 95+ | 1282 lm/m | 910 lm/m | 24V=50mm | 24V=9m | |
| High Efficiency | FN-H2835T-128 | 128pcs/m | 12/24VDC | 11.52 W/m | 90+ | 1613 lm/m | 1145 lm/m | 12V=31.2mm | 12V=3m | 10 mm |
| | | | | | 95+ | 1475 lm/m | 1047 lm/m | 24V=62.5mm | 24V=6m | |
| | FN-H28350-160 | 160pcs/m | 24VDC | 24 W/m | 90+ | 3480 lm/m | 2743 lm/m | 50mm | 3m | 10 mm |
| | | | | | 95+ | 4176 lm/m | 3292 lm/m | 41.7mm | 2.5m | |
| Long Run | LN-H2835T-80 | 80pcs/m | 36VDC | 5.18W/m | 90+ | 580 lm/m | 412 lm/m | 100mm | 50mm | 10 mm |
| | | | | | 95+ | 482 lm/m | 342 lm/m | | | |
| | LN-H2835T-112 | 112pcs/m | 48VDC | 11.52 W/m | 90+ | 1336 lm/m | 949 lm/m | 125mm | 25mm | 10 mm |
| | | | | | 95+ | 1106 lm/m | 785 lm/m | | | |
| | LN-H2835T-120 | 120pcs/m | 24VDC | 6.00 W/m | 90+ | 588 lm/m | 417 lm/m | 50mm | 21mm | 10 mm |
| | | | | | 95+ | 486 lm/m | 345 lm/m | | | |
| Short Cut | FN-F2835A-120 | 120pcs/m | 24VDC | 21.60 W/m | 90+ | 1922 lm/m | 1365 lm/m | 16.7mm | 3.5mm | 10 mm |
| | | | | | 95+ | 1595 lm/m | 1133 lm/m | | | |



ANGULAR SURFACE MOUNTED

► SL1616C10



Installation: Angular Surface Mounted
 Length Available: 1-3m
 Profile Color: Silver, Black Anodized, White Powder Coating
 Lens: Opal, Diffuser, Clear
 Input Cable: Endcaps, Profile Bottom, Profile Sides
 Quick Female/Male Connectors Input cable & Junction Box available

ANGULAR SURFACE MOUNTED

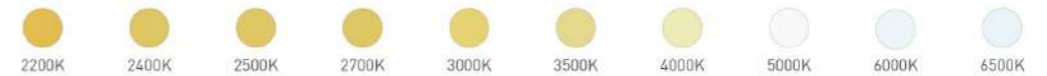
► SL1616C10

ORDERING CODE

| LUMINAIRE | FINISH | LENS | Vol. | Power | Ra | CRI | INSTALL ACCS. | IP GRADE | CONTROL OPTOINS |
|-----------|-------------|---------------|-------------|----------|-----|--|--|---|--|
| SL1616C10 | W White | D Diffuser | 12 12VDC | 14.40W/m | 90 | 22-2200K , 24-2400K , 25-2500K 27-2700K , 30-3000K , 35-3500K 40-4000K , 50-5000K , 65-6500K | 01 - Black&Red 22AWG 02 - Black&White 22AWG 03 - White PU protected 2 pin 04 - 3Pin cable for Tunable white | A - AMP male/female M - Molex male/female D - DC male/female | E - Through Endcaps B - Through profile end bottom S - Through profile side |
| | B Black | O Opal | 24 24VDC | 11.52W/m | 95 | | | | |
| | S Silver | C Clear | 36 36VDC | 24.00W/m | 95+ | 22-2200K , 25-2500K , 27-2700K 30-3000K , 35-3500K , 40-4000K 50-5000K , 65-6500K | | | |
| | | | 48 48VDC | 28.80W/m | TW | | | | |
| | | | | 5.18W/m | | | | | |
| | | | | 6.00W/m | | | | | |
| | | | | 21.60W/m | | | | | |
| | | | | | D2W | | | | |
| | | | | | | | | | |

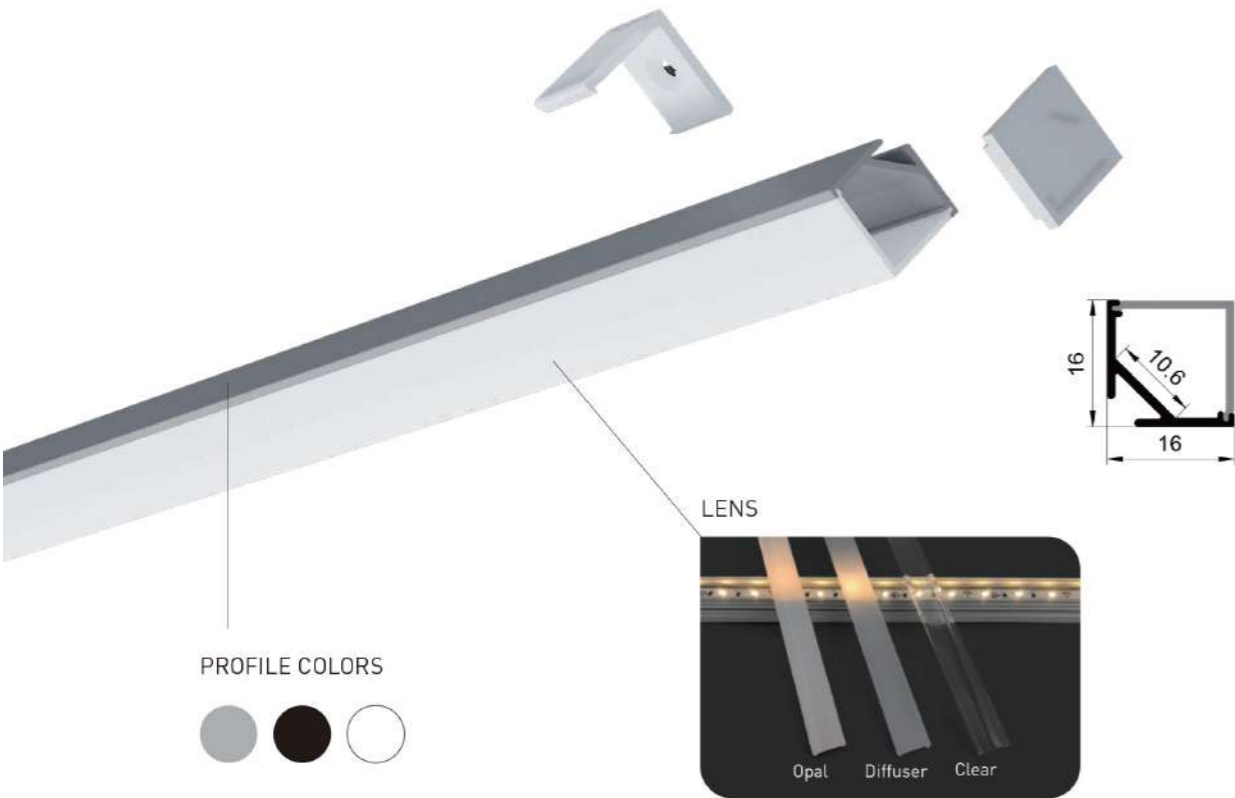
RECOMMEND LIGHT SOURCE

| Performance | Part Code | LED QTY | Input Vol. | Power | CRI | Light Source Lumen | Diffuser Lens Lumen | Cutttable Length | Max Run | PCB Width |
|-----------------|---------------|----------|------------|-----------|-----|--------------------|---------------------|------------------|---------|-----------|
| General | FN-H2835T-120 | 120pcs/m | 12/24VDC | 14.40 W/m | 90+ | 1512 lm/m | 877lm/m | 12V=50mm | 12V=5m | 10 mm |
| | | | | | 95+ | 1282 lm/m | 744 lm/m | 24V=50mm | 24V=9m | |
| High Efficiency | FN-H2835T-128 | 128pcs/m | 12/24VDC | 11.52 W/m | 90+ | 1613 lm/m | 936 lm/m | 12V=31.2mm | 12V=3m | 10 mm |
| | | | | | 95+ | 1475 lm/m | 856 lm/m | 24V=62.5mm | 24V=6m | |
| | FN-H28350-160 | 160pcs/m | 24VDC | 24 W/m | 90+ | 3480 lm/m | 2241 lm/m | 50mm | 3m | 10 mm |
| | | | | | 95+ | 4176 lm/m | 2689 lm/m | 41.7mm | 2.5m | |
| Long Run | LN-H2835T-80 | 80pcs/m | 36VDC | 5.18W/m | 90+ | 580 lm/m | 336 lm/m | 100mm | 50mm | 10 mm |
| | | | | | 95+ | 482 lm/m | 280 lm/m | | | |
| | LN-H2835T-112 | 112pcs/m | 48VDC | 11.52 W/m | 90+ | 1336 lm/m | 775 lm/m | 125mm | 25mm | 10 mm |
| | | | | | 95+ | 1106 lm/m | 641 lm/m | | | |
| | LN-H2835T-120 | 120pcs/m | 24VDC | 6.00 W/m | 90+ | 588 lm/m | 341 lm/m | 50mm | 21mm | 10 mm |
| | | | | | 95+ | 486 lm/m | 282 lm/m | | | |
| Short Cut | FN-F2835A-120 | 120pcs/m | 24VDC | 21.60 W/m | 90+ | 1922 lm/m | 1115 lm/m | 16.7mm | 3.5mm | 10 mm |
| | | | | | 95+ | 1595 lm/m | 1133 lm/m | | | |



ANGULAR SURFACE MOUNTED

► SL1616D10



Installation: Angular Surface Mounted
 Length Available: 1-3m
 Profile Color: Silver, Black Anodized, White Powder Coating
 Lens: Opal, Diffuser, Clear
 Input Cable: Endcaps, Profile Bottom, Profile Sides
 Quick Female/Male Connectors Input cable & Junction Box available

ANGULAR SURFACE MOUNTED

► SL1616D10

ORDERING CODE

| LUMINAIRE | FINISH | LENS | Vol. | Power | Ra | CRI | INSTALL ACCS. | IP GRADE | CONTROL OPTOINS |
|-----------|-------------|---------------|-------------|--------------------------------|-----------|--|---|---|--|
| SL1616D10 | W White | D Diffuser | 12 12VDC | 14.40W/m 11.52W/m | 90 90+ | 22-2200K, 24-2400K, 25-2500K 27-2700K, 30-3000K, 35-3500K 40-4000K, 50-5000K, 65-6500K | 01 - Black&Red 22AWG | A - AMP male/female M - Molex male/female D - DC male/female | E - Through Endcaps B - Through profile end bottom S - Through profile side |
| | B Black | O Opal | 24 24VDC | 24.00W/m | 95 95+ | 22-2200K, 25-2500K, 27-2700K 30-3000K, 35-3500K, 40-4000K 50-5000K, 65-6500K | 02 - Black&White 22AWG | | |
| | S Silver | C Clear | 36 36VDC | 28.80W/m | TW | Tunable White - check your executive sales | 03 - White PU protected 2 pin | | |
| | | | 48 48VDC | 5.18W/m 6.00W/m 21.60W/m | D2W | Dim To Warm - check your executive sales | 04 - 3Pin cable for Tunable white | | |

RECOMMEND LIGHT SOURCE

| Performance | Part Code | LED QTY | Input Vol. | Power | CRI | Light Source Lumen | Diffuser Lens Lumen | Cuttable length | Max Run | PCB Width |
|-----------------|---------------|----------|------------|-----------|-----|--------------------|---------------------|--------------------------|------------------|-----------|
| General | FN-H2835T-120 | 120pcs/m | 12/24VDC | 14.40 W/m | 90+ | 1512 lm/m | 1074 lm/m | 12V=50mm 24V=50mm | 12V=5m 24V=9m | 10 mm |
| | | | | | 95+ | 1282 lm/m | 910 lm/m | | | |
| High Efficiency | FN-H2835T-128 | 128pcs/m | 12/24VDC | 11.52 W/m | 90+ | 1613 lm/m | 1145 lm/m | 12V=31.2mm 24V=62.5mm | 12V=3m 24V=6m | 10 mm |
| | | | | | 95+ | 1475 lm/m | 1047 lm/m | | | |
| | FN-H28350-160 | 160pcs/m | 24VDC | 24 W/m | 90+ | 3480 lm/m | 2743 lm/m | 50mm | 3m | 10 mm |
| | | | | | 95+ | 4176 lm/m | 3292 lm/m | 41.7mm | 2.5m | 10 mm |
| Long Run | LN-H2835T-80 | 80pcs/m | 36VDC | 5.18W/m | 90+ | 580 lm/m | 412 lm/m | 100mm | 50mm | 10 mm |
| | | | | | 95+ | 482 lm/m | 342 lm/m | | | |
| | LN-H2835T-112 | 112pcs/m | 48VDC | 11.52 W/m | 90+ | 1336 lm/m | 949 lm/m | 125mm | 25mm | 10 mm |
| | | | | | 95+ | 1106 lm/m | 785 lm/m | | | |
| | LN-H2835T-120 | 120pcs/m | 24VDC | 6.00 W/m | 90+ | 588 lm/m | 417 lm/m | 50mm | 21mm | 10 mm |
| | | | | | 95+ | 486 lm/m | 345 lm/m | | | |
| Short Cut | FN-F2835A-120 | 120pcs/m | 24VDC | 21.60 W/m | 90+ | 1922 lm/m | 1365 lm/m | 16.7mm | 3.5mm | 10 mm |
| | | | | | 95+ | 1595 lm/m | 1133 lm/m | | | |



ANGULAR SURFACE MOUNTED

► SL1919C11



Installation: Angular Surface Mounted
 Length Available: 1-3m
 Profile Color: Silver, Black Anodized, White Powder Coating
 Lens: Opal, Diffuser, Clear
 Input Cable: Endcaps, Profile Bottom, Profile Sides
 Quick Female/Male Connectors Input cable & Junction Box available

ANGULAR SURFACE MOUNTED

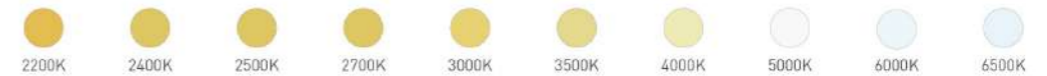
► SL1919C11

ORDERING CODE

| LUMINAIRE | FINISH | LENS | Vol. | Power | Ra | CRI | INSTALL ACCS. | IP GRADE | CONTROL OPTOINS |
|-----------|-------------|---------------|-------------|----------|-----|--|--|---|--|
| SL1919C11 | W White | D Diffuser | 12 12VDC | 14.40W/m | 90 | 22-2200K, 24-2400K, 25-2500K 27-2700K, 30-3000K, 35-3500K 40-4000K, 50-5000K, 65-6500K | 01 - Black&Red 22AWG 02 - Black&White 22AWG 03 - White PU protected 2 pin 04 - 3Pin cable for Tunable white | A - AMP male/female M - Molex male/female D - DC male/female | E - Through Endcaps B - Through profile end bottom S - Through profile side |
| | B Black | O Opal | 24 24VDC | 11.52W/m | 95 | | | | |
| | S Silver | C Clear | 36 36VDC | 24.00W/m | 95+ | TW Tunable White - check your executive sales | | | |
| | | | 48 48VDC | 28.80W/m | | | | | |
| | | | | 5.18W/m | | | | | |
| | | | | 6.00W/m | | | | | |
| | | | | 21.60W/m | | | | | |

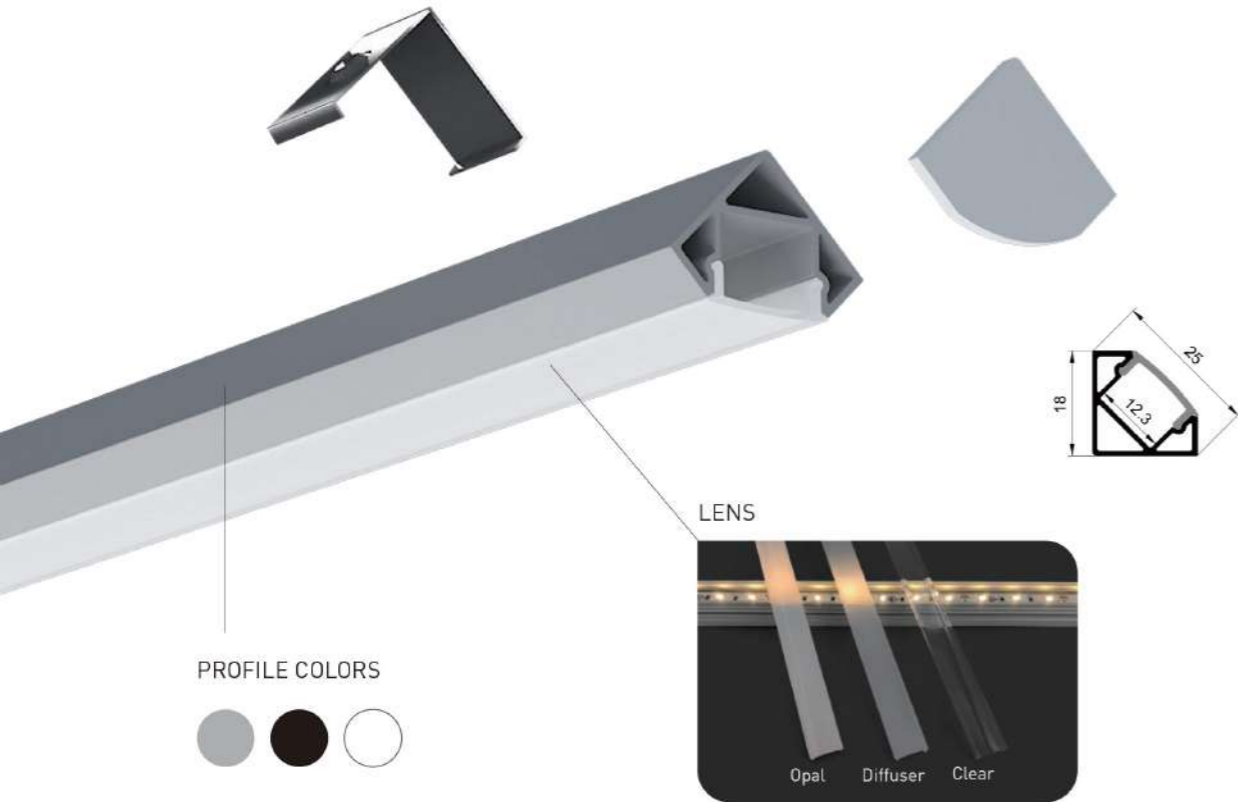
RECOMMEND LIGHT SOURCE

| Performance | Part Code | LED QTY | Input Vol. | Power | CRI | Light Source Lumen | Diffuser Lens Lumen | Cuttable length | Max Run | PCB Width |
|-----------------|---------------|----------|------------|-----------|-----|--------------------|---------------------|-----------------|---------|-----------|
| General | FN-H2835T-120 | 120pcs/m | 12/24VDC | 14.40 W/m | 90+ | 1512 lm/m | 680 lm/m | 12V=50mm | 12V=5m | 10 mm |
| | | | | | 95+ | 1282 lm/m | 577 lm/m | 24V=50mm | 24V=9m | |
| High Efficiency | FN-H2835T-128 | 128pcs/m | 12/24VDC | 11.52 W/m | 90+ | 1613 lm/m | 726 lm/m | 12V=31.2mm | 12V=3m | 10 mm |
| | | | | | 95+ | 1475 lm/m | 664 lm/m | 24V=62.5mm | 24V=6m | |
| | FN-H28350-160 | 160pcs/m | 24VDC | 24 W/m | 90+ | 3480 lm/m | 1739 lm/m | 50mm | 3m | 10 mm |
| | | | | | 95+ | 4176 lm/m | 2086lm/m | 41.7mm | 2.5m | |
| Long Run | LN-H2835T-80 | 80pcs/m | 36VDC | 5.18W/m | 90+ | 580 lm/m | 261 lm/m | 100mm | 50mm | 10 mm |
| | | | | | 95+ | 482 lm/m | 217 lm/m | | | |
| | LN-H2835T-112 | 112pcs/m | 48VDC | 11.52 W/m | 90+ | 1336 lm/m | 601 lm/m | 125mm | 25mm | 10 mm |
| | | | | | 95+ | 1106 lm/m | 498 lm/m | | | |
| | LN-H2835T-120 | 120pcs/m | 24VDC | 6.00 W/m | 90+ | 588 lm/m | 265 lm/m | 50mm | 21mm | 10 mm |
| | | | | | 95+ | 486 lm/m | 219 lm/m | | | |
| Short Cut | FN-F2835A-120 | 120pcs/m | 24VDC | 21.60 W/m | 90+ | 1922 lm/m | 865 lm/m | 16.7mm | 3.5mm | 10 mm |
| | | | | | 95+ | 1595 lm/m | 718 lm/m | | | |



ANGULAR SURFACE MOUNTED

► SL1919D11



Installation: Angular Surface Mounted
 Length Available: 1-3m
 Profile Color: Silver, Black Anodized, White Powder Coating
 Lens: Opal, Diffuser, Clear
 Input Cable: Endcaps, Profile Bottom, Profile Sides
 Quick Female/Male Connectors Input cable & Junction Box available

ANGULAR SURFACE MOUNTED

► SL1919D11

ORDERING CODE

| LUMINAIRE | FINISH | LENS | Vol. | Power | Ra | CRI | INSTALL ACCS. | IP GRADE | CONTROL OPTOINS | |
|-----------|-------------|---------------|-------------|----------|-----|--|--|---|---|--|
| SL1919D11 | W White | D Diffuser | 12 12VDC | 14.40W/m | 90 | 22-2200K, 24-2400K, 25-2500K 27-2700K, 30-3000K, 35-3500K 40-4000K, 50-5000K, 65-6500K | 01 - Black&Red 22AWG 02 - Black&White 22AWG 03 - White PU protected 2 pin 04 - 3Pin cable for Tunable white | A - AMP male/female M - Molex male/female D - DC male/female | E - Through Endcaps B - Through profile end bottom S - Through profile side | |
| | B Black | O Opal | 24 24VDC | 11.52W/m | 95 | | | | | 22-2200K, 25-2500K, 27-2700K 30-3000K, 35-3500K, 40-4000K 50-5000K, 65-6500K |
| | S Silver | C Clear | 36 36VDC | 24.00W/m | 95+ | TW | | | | |
| | | | 48 48VDC | 5.18W/m | | D2W | | | | Dim To Warm - check your executive sales |
| | | | | 6.00W/m | | | | | | |
| | | | | 21.60W/m | | | | | | |

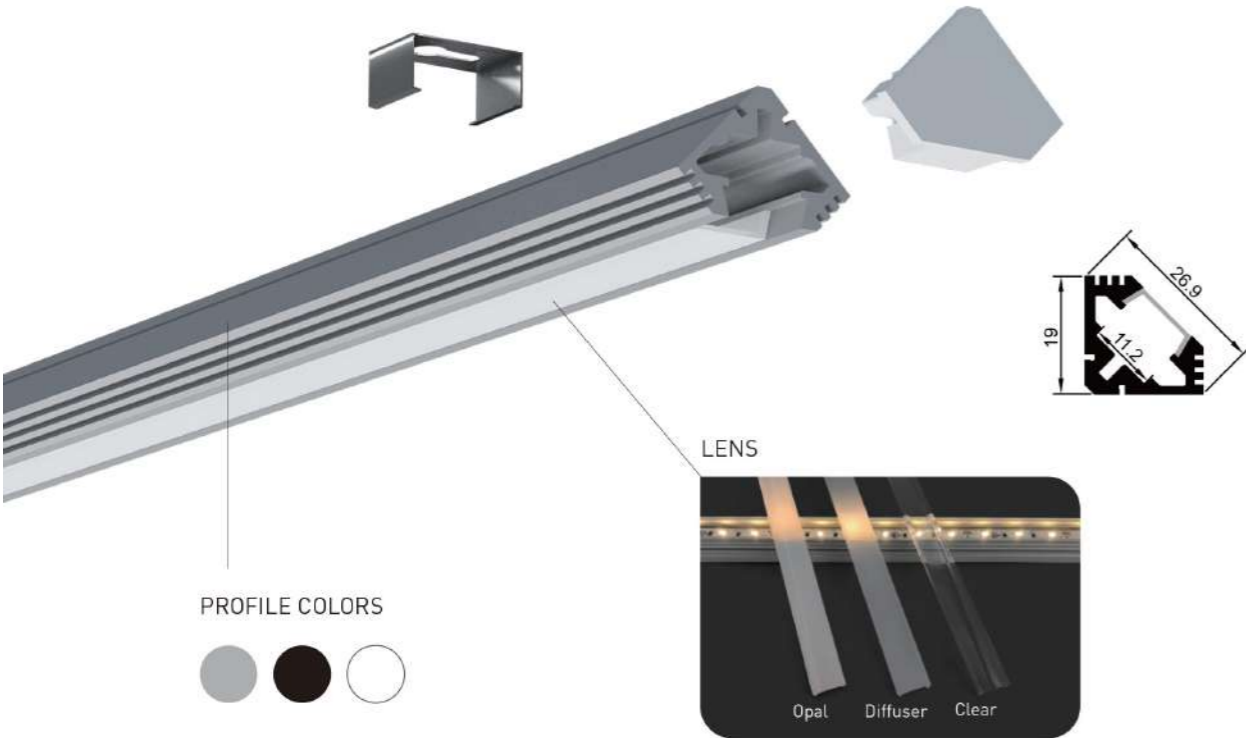
RECOMMEND LIGHT SOURCE

| Performance | Part Code | LED QTY | Input Vol. | Power | CRI | Light Source Lumen | Diffuser Lens Lumen | Cuttible length | Max Run | PCB Width |
|-----------------|---------------|----------|------------|-----------|-----|--------------------|---------------------|-----------------|---------|-----------|
| General | FN-H2835T-120 | 120pcs/m | 12/24VDC | 14.40 W/m | 90+ | 1512 lm/m | 680 lm/m | 12V=50mm | 12V=5m | 10 mm |
| | | | | | 95+ | 1282 lm/m | 577 lm/m | 24V=50mm | 24V=9m | |
| High Efficiency | FN-H2835T-128 | 128pcs/m | 12/24VDC | 11.52 W/m | 90+ | 1613 lm/m | 726 lm/m | 12V=31.2mm | 12V=3m | 10 mm |
| | | | | | 95+ | 1475 lm/m | 664 lm/m | 24V=62.5mm | 24V=6m | |
| | FN-H28350-160 | 160pcs/m | 24VDC | 24 W/m | 90+ | 3480 lm/m | 1739 lm/m | 50mm | 3m | 10 mm |
| | | | | | 95+ | 4176 lm/m | 2086lm/m | 41.7mm | 2.5m | |
| Long Run | LN-H2835T-80 | 80pcs/m | 36VDC | 5.18W/m | 90+ | 580 lm/m | 261 lm/m | 100mm | 50mm | 10 mm |
| | | | | | 95+ | 482 lm/m | 217 lm/m | | | |
| | LN-H2835T-112 | 112pcs/m | 48VDC | 11.52 W/m | 90+ | 1336 lm/m | 601 lm/m | 125mm | 25mm | 10 mm |
| | | | | | 95+ | 1106 lm/m | 498 lm/m | | | |
| | LN-H2835T-120 | 120pcs/m | 24VDC | 6.00 W/m | 90+ | 588 lm/m | 265 lm/m | 50mm | 21mm | 10 mm |
| | | | | | 95+ | 486 lm/m | 219 lm/m | | | |
| Short Cut | FN-F2835A-120 | 120pcs/m | 24VDC | 21.60 W/m | 90+ | 1922 lm/m | 865 lm/m | 16.7mm | 3.5mm | 10 mm |
| | | | | | 95+ | 1595 lm/m | 718 lm/m | | | |



ANGULAR SURFACE MOUNTED

► SL191911



Installation: Angular Surface Mounted
 Length Available: 1-3m
 Profile Color: Silver, Black Anodized, White Powder Coating
 Lens: Opal, Diffuser, Clear
 Input Cable: Endcaps, Profile Bottom, Profile Sides
 Quick Female/Male Connectors Input cable & Junction Box available

ANGULAR SURFACE MOUNTED

► SL191911

ORDERING CODE

| LUMINAIRE | FINISH | LENS | Vol. | Power | Ra | CRI | INSTALL ACCS. | IP GRADE | CONTROL OPTOINS |
|-----------|-------------|---------------|-------------|--------------------------------|-----------|--|---|---|--|
| SL191911 | W White | D Diffuser | 12 12VDC | 14.40W/m 11.52W/m | 90 90+ | 22-2200K, 24-2400K, 25-2500K 27-2700K, 30-3000K, 35-3500K 40-4000K, 50-5000K, 65-6500K | 01 - Black&Red 22AWG | A - AMP male/female M - Molex male/female D - DC male/female | E - Through Endcaps B - Through profile end bottom S - Through profile side |
| | B Black | O Opal | 24 24VDC | 24.00W/m | 95 95+ | 22-2200K, 25-2500K, 27-2700K 30-3000K, 35-3500K, 40-4000K 50-5000K, 65-6500K | 02 - Black&White 22AWG | | |
| | S Silver | C Clear | 36 36VDC | 28.80W/m | TW | Tunable White - check your executive sales | 03 - White PU protected 2 pin | | |
| | | | 48 48VDC | 5.18W/m 6.00W/m 21.60W/m | D2W | Dim To Warm - check your executive sales | 04 - 3Pin cable for Tunable white | | |

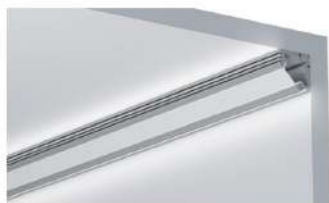
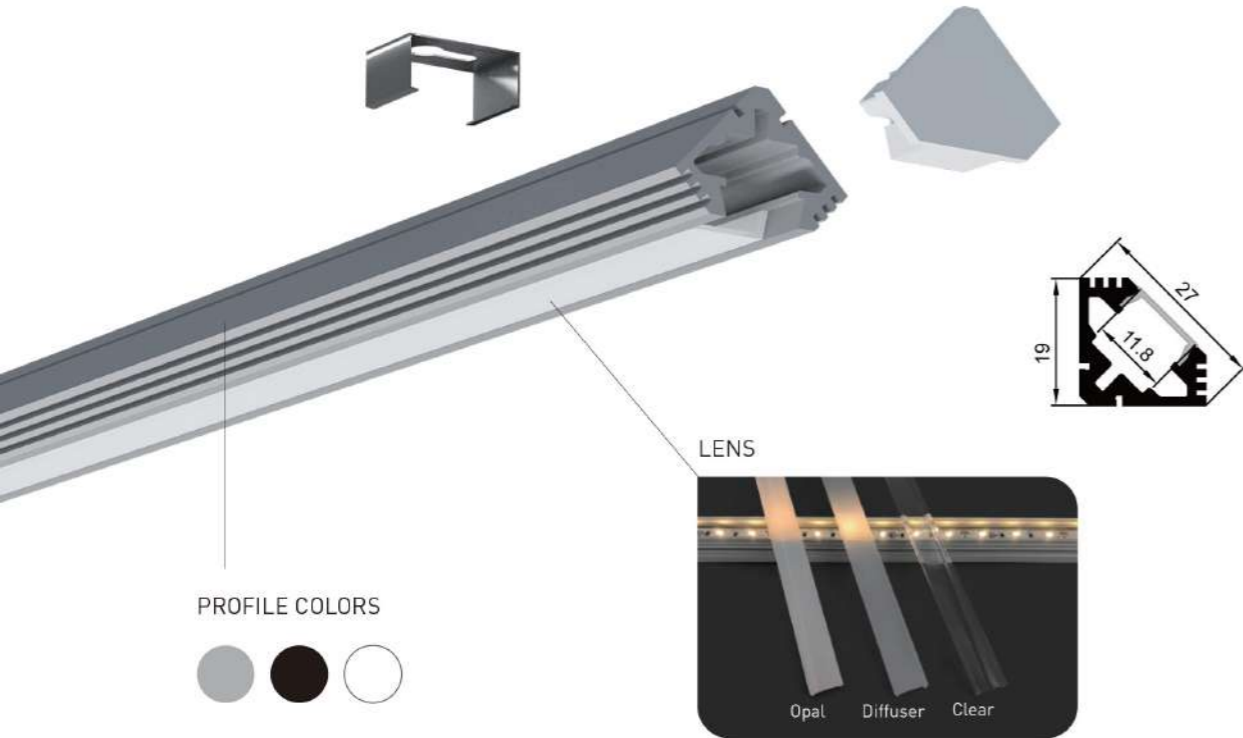
RECOMMEND LIGHT SOURCE

| Performance | Part Code | LED QTY | Input Vol. | Power | CRI | Light Source Lumen | Diffuser Lens Lumen | Cutttable length | Max Run | PCB Width |
|-----------------|---------------|----------|------------|-----------|----------|--------------------|---------------------|--------------------------|------------------|-----------|
| General | FN-H2835T-120 | 120pcs/m | 12/24VDC | 14.40 W/m | 90+ | 1512 lm/m | 680 lm/m | 12V=50mm 24V=50mm | 12V=5m 24V=9m | 10 mm |
| | | | | | 95+ | 1282 lm/m | 577 lm/m | | | |
| High Efficiency | FN-H2835T-128 | 128pcs/m | 12/24VDC | 11.52 W/m | 90+ | 1613 lm/m | 726 lm/m | 12V=31.2mm 24V=62.5mm | 12V=3m 24V=6m | 10 mm |
| | | | | | 95+ | 1475 lm/m | 664 lm/m | | | |
| | FN-H28350-160 | 160pcs/m | 24VDC | 24 W/m | 90+ | 3480 lm/m | 1739 lm/m | 50mm | 3m | 10 mm |
| | FN-H28350-192 | 192pcs/m | 24VDC | 28.8 W/m | 90+ | 4176 lm/m | 2086lm/m | 41.7mm | 2.5m | 10 mm |
| Long Run | LN-H2835T-80 | 80pcs/m | 36VDC | 5.18W/m | 90+ | 580 lm/m | 261 lm/m | 100mm | 50mm | 10 mm |
| | | | | | 95+ | 482 lm/m | 217 lm/m | | | |
| | LN-H2835T-112 | 112pcs/m | 48VDC | 11.52 W/m | 90+ | 1336 lm/m | 601 lm/m | 125mm | 25mm | 10 mm |
| | | | | | 95+ | 1106 lm/m | 498 lm/m | | | |
| LN-H2835T-120 | 120pcs/m | 24VDC | 6.00 W/m | 90+ | 588 lm/m | 265 lm/m | 50mm | 21mm | 10 mm | |
| | | | | 95+ | 486 lm/m | 219 lm/m | | | | |
| Short Cut | FN-F2835A-120 | 120pcs/m | 24VDC | 21.60 W/m | 90+ | 1922 lm/m | 865 lm/m | 16.7mm | 3.5mm | 10 mm |
| | | | | | 95+ | 1595 lm/m | 718 lm/m | | | |



ANGULAR SURFACE MOUNTED

► SL1919E11



Installation: Angular Surface Mounted
 Length Available: 1-3m
 Profile Color: Silver, Black Anodized, White Powder Coating
 Lens: Opal, Diffuser, Clear
 Input Cable: Endcaps, Profile Bottom, Profile Sides
 Quick Female/Male Connectors Input cable & Junction Box available

ANGULAR SURFACE MOUNTED

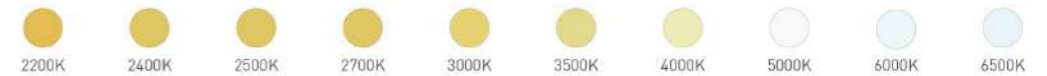
► SL1919E11

ORDERING CODE

| LUMINAIRE | FINISH | LENS | Vol. | Power | Ra | CRI | INSTALL ACCS. | IP GRADE | CONTROL OPTOINS |
|-----------|-------------|---------------|-------------|--------------------------------|-----------|--|---|---|--|
| SL1919E11 | W White | D Diffuser | 12 12VDC | 14.40W/m | 90 90+ | 22-2200K, 24-2400K, 25-2500K 27-2700K, 30-3000K, 35-3500K 40-4000K, 50-5000K, 65-6500K | 01 - Black&Red 22AWG | A - AMP male/female M - Molex male/female D - DC male/female | E - Through Endcaps B - Through profile end bottom S - Through profile side |
| | B Black | O Opal | 24 24VDC | 24.00W/m | 95 95+ | 22-2200K, 25-2500K, 27-2700K 30-3000K, 35-3500K, 40-4000K 50-5000K, 65-6500K | | | |
| | S Silver | C Clear | 36 36VDC | 28.80W/m | TW | Tunable White - check your executive sales | 03 - White PU protected 2 pin | | |
| | | | 48 48VDC | 5.18W/m 6.00W/m 21.60W/m | D2W | Dim To Warm - check your executive sales | 04 - 3Pin cable for Tunable white | | |

RECOMMEND LIGHT SOURCE

| Performance | Part Code | LED QTY | Input Vol. | Power | CRI | Light Source Lumen | Diffuser Lens Lumen | Cuttable length | Max Run | PCB Width |
|-----------------|---------------|----------|------------|-----------|-----|--------------------|---------------------|-----------------|---------|-----------|
| General | FN-H2835T-120 | 120pcs/m | 12/24VDC | 14.40 W/m | 90+ | 1512 lm/m | 680 lm/m | 12V=50mm | 12V=5m | 10 mm |
| | | | | | 95+ | 1282 lm/m | 577 lm/m | 24V=50mm | 24V=9m | |
| High Efficiency | FN-H2835T-128 | 128pcs/m | 12/24VDC | 11.52 W/m | 90+ | 1613 lm/m | 726 lm/m | 12V=31.2mm | 12V=3m | 10 mm |
| | | | | | 95+ | 1475 lm/m | 664 lm/m | 24V=62.5mm | 24V=6m | |
| | FN-H28350-160 | 160pcs/m | 24VDC | 24 W/m | 90+ | 3480 lm/m | 1739 lm/m | 50mm | 3m | 10 mm |
| | | | | | 95+ | 4176 lm/m | 2086lm/m | 41.7mm | 2.5m | |
| Long Run | LN-H2835T-80 | 80pcs/m | 36VDC | 5.18W/m | 90+ | 580 lm/m | 261 lm/m | 100mm | 50mm | 10 mm |
| | | | | | 95+ | 482 lm/m | 217 lm/m | | | |
| | LN-H2835T-112 | 112pcs/m | 48VDC | 11.52 W/m | 90+ | 1336 lm/m | 601 lm/m | 125mm | 25mm | 10 mm |
| | | | | | 95+ | 1106 lm/m | 498 lm/m | | | |
| | LN-H2835T-120 | 120pcs/m | 24VDC | 6.00 W/m | 90+ | 588 lm/m | 265 lm/m | 50mm | 21mm | 10 mm |
| | | | | | 95+ | 486 lm/m | 219 lm/m | | | |
| Short Cut | FN-F2835A-120 | 120pcs/m | 24VDC | 21.60 W/m | 90+ | 1922 lm/m | 865 lm/m | 16.7mm | 3.5mm | 10 mm |
| | | | | | 95+ | 1595 lm/m | 718 lm/m | | | |



ANGULAR SURFACE MOUNTED

► SL1919B11



PROFILE COLORS



Opal Diffuser Clear



Installation: Angular Surface Mounted
 Length Available: 1-3m
 Profile Color: Silver, Black Anodized, White Powder Coating
 Lens: Opal, Diffuser, Clear
 Input Cable: Endcaps, Profile Bottom, Profile Sides
 Quick Female/Male Connectors Input cable & Junction Box available

ANGULAR SURFACE MOUNTED

► SL1919B11

ORDERING CODE

| LUMINAIRE | FINISH | LENS | Vol. | Power | Ra | CRI | INSTALL ACCS. | IP GRADE | CONTROL OPTOINS |
|-----------|-------------|---------------|-------------|----------|-----------|--|--|---|--|
| SL1919B11 | W White | D Diffuser | 12 12VDC | 14.40W/m | 90 90+ | 22-2200K , 24-2400K , 25-2500K 27-2700K , 30-3000K , 35-3500K 40-4000K , 50-5000K , 65-6500K | 01 - Black&Red 22AWG 02 - Black&White 22AWG 03 - White PU protected 2 pin 04 - 3Pin cable for Tunable white | A - AMP male/female M - Molex male/female D - DC male/female | E - Through Endcaps B - Through profile end bottom S - Through profile side |
| | B Black | O Opal | 24 24VDC | 11.52W/m | | | | | |
| | S Silver | C Clear | 36 36VDC | 24.00W/m | TW | Tunable White - check your executive sales | | | |
| | | | 48 48VDC | 28.80W/m | | | | | |
| | | | 5.18W/m | | | | | | |
| | | | | 6.00W/m | | | | | |
| | | | | 21.60W/m | | | | | |

RECOMMEND LIGHT SOURCE

| Performance | Part Code | LED QTY | Input Vol. | Power | CRI | Light Source Lumen | Diffuser Lens Lumen | Cuttable length | Max Run | PCB Width |
|-----------------|---------------|----------|------------|-----------|-----|--------------------|---------------------|-----------------|---------|-----------|
| General | FN-H2835T-120 | 120pcs/m | 12/24VDC | 14.40 W/m | 90+ | 1512 lm/m | 680 lm/m | 12V=50mm | 12V=5m | 10 mm |
| | | | | | 95+ | 1282 lm/m | 577 lm/m | 24V=50mm | 24V=9m | |
| High Efficiency | FN-H2835T-128 | 128pcs/m | 12/24VDC | 11.52 W/m | 90+ | 1613 lm/m | 726 lm/m | 12V=31.2mm | 12V=3m | 10 mm |
| | | | | | 95+ | 1475 lm/m | 664 lm/m | 24V=62.5mm | 24V=6m | |
| | FN-H28350-160 | 160pcs/m | 24VDC | 24 W/m | 90+ | 3480 lm/m | 1739 lm/m | 50mm | 3m | 10 mm |
| | | | | | 95+ | 4176 lm/m | 2086lm/m | 41.7mm | 2.5m | |
| Long Run | LN-H2835T-80 | 80pcs/m | 36VDC | 5.18W/m | 90+ | 580 lm/m | 261 lm/m | 100mm | 50mm | 10 mm |
| | | | | | 95+ | 482 lm/m | 217 lm/m | | | |
| | LN-H2835T-112 | 112pcs/m | 48VDC | 11.52 W/m | 90+ | 1336 lm/m | 601 lm/m | 125mm | 25mm | 10 mm |
| | | | | | 95+ | 1106 lm/m | 498 lm/m | | | |
| | LN-H2835T-120 | 120pcs/m | 24VDC | 6.00 W/m | 90+ | 588 lm/m | 265 lm/m | 50mm | 21mm | 10 mm |
| | | | | | 95+ | 486 lm/m | 219 lm/m | | | |
| Short Cut | FN-F2835A-120 | 120pcs/m | 24VDC | 21.60 W/m | 90+ | 1922 lm/m | 865 lm/m | 16.7mm | 3.5mm | 10 mm |
| | | | | | 95+ | 1595 lm/m | 718 lm/m | | | |



ANGULAR SURFACE MOUNTED

► SL1919H11



Installation: Angular Surface Mounted
 Length Available: 1-3m
 Profile Color: Silver, Black Anodized, White Powder Coating
 Lens: Opal, Diffuser, Clear
 Input Cable: Endcaps, Profile Bottom, Profile Sides
 Quick Female/Male Connectors Input cable & Junction Box available

ANGULAR SURFACE MOUNTED

► SL1919H11

ORDERING CODE

| LUMINAIRE | FINISH | LENS | Vol. | Power | Ra | CRI | INSTALL ACCS. | IP GRADE | CONTROL OPTOINS |
|-----------|-------------|---------------|-------------|--------------------------------|-----------|--|---|---|--|
| SL1919H11 | W White | D Diffuser | 12 12VDC | 14.40W/m 11.52W/m | 90 90+ | 22-2200K, 24-2400K, 25-2500K 27-2700K, 30-3000K, 35-3500K 40-4000K, 50-5000K, 65-6500K | 01 - Black&Red 22AWG | A - AMP male/female M - Molex male/female D - DC male/female | E - Through Endcaps B - Through profile end bottom S - Through profile side |
| | B Black | O Opal | 24 24VDC | 24.00W/m | 95 95+ | 22-2200K, 25-2500K, 27-2700K 30-3000K, 35-3500K, 40-4000K 50-5000K, 65-6500K | 02 - Black&White 22AWG | | |
| | S Silver | C Clear | 36 36VDC | 28.80W/m | TW | Tunable White - check your executive sales | 03 - White PU protected 2 pin | | |
| | | | 48 48VDC | 5.18W/m 6.00W/m 21.60W/m | D2W | Dim To Warm - check your executive sales | 04 - 3Pin cable for Tunable white | | |

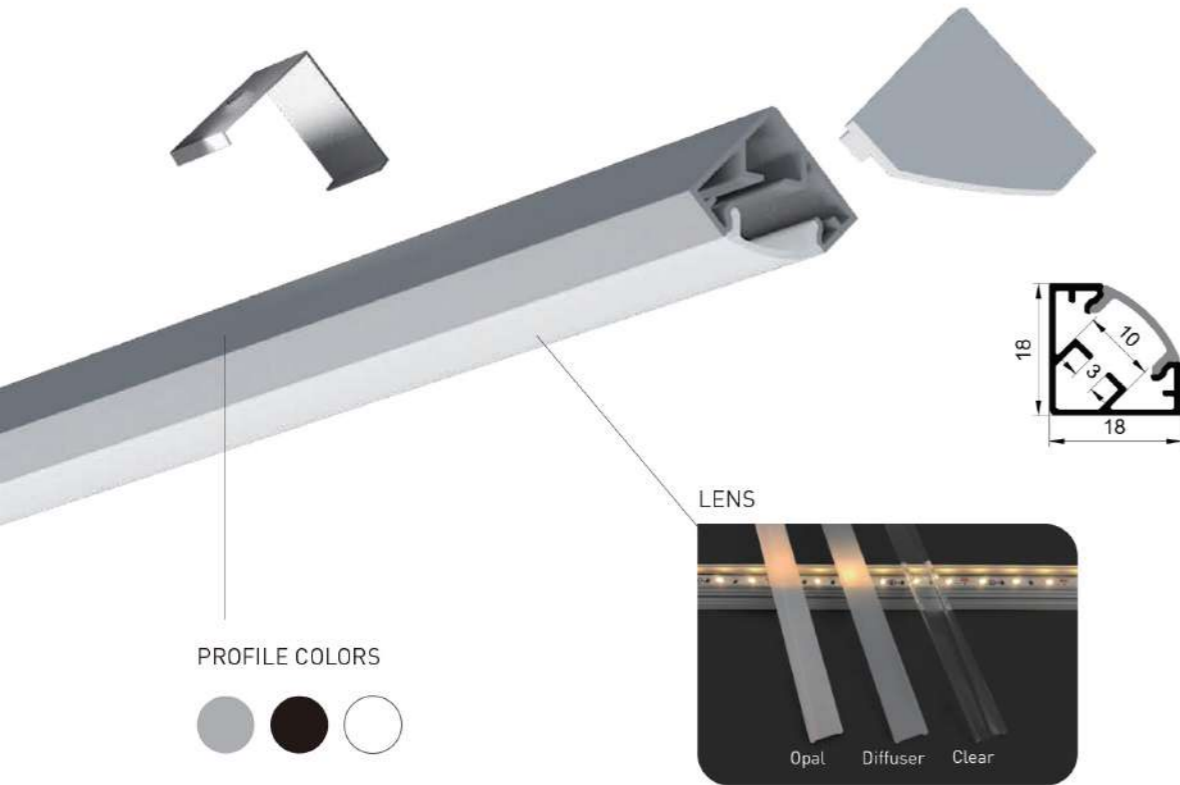
RECOMMEND LIGHT SOURCE

| Performance | Part Code | LED QTY | Input Vol. | Power | CRI | Light Source Lumen | Diffuser Lens Lumen | Cutttable length | Max Run | PCB Width |
|-----------------|---------------|----------|------------|-----------|-----------|--------------------|---------------------|--------------------------|------------------|-----------|
| General | FN-H2835T-120 | 120pcs/m | 12/24VDC | 14.40 W/m | 90+ | 1512 lm/m | 680 lm/m | 12V=50mm 24V=50mm | 12V=5m 24V=9m | 10 mm |
| | | | | | 95+ | 1282 lm/m | 577 lm/m | | | |
| High Efficiency | FN-H2835T-128 | 128pcs/m | 12/24VDC | 11.52 W/m | 90+ | 1613 lm/m | 726 lm/m | 12V=31.2mm 24V=62.5mm | 12V=3m 24V=6m | 10 mm |
| | FN-H2835T-160 | 160pcs/m | 24VDC | 24 W/m | 90+ | 3480 lm/m | 1739 lm/m | 50mm | 3m | 10 mm |
| | FN-H2835T-192 | 192pcs/m | 24VDC | 28.8 W/m | 90+ | 4176 lm/m | 2086lm/m | 41.7mm | 2.5m | 10 mm |
| Long Run | LN-H2835T-80 | 80pcs/m | 36VDC | 5.18W/m | 90+ | 580 lm/m | 261 lm/m | 100mm | 50mm | 10 mm |
| | | | | 95+ | 482 lm/m | 217 lm/m | | | | |
| | LN-H2835T-112 | 112pcs/m | 48VDC | 11.52 W/m | 90+ | 1336 lm/m | 601 lm/m | 125mm | 25mm | 10 mm |
| | | | | 95+ | 1106 lm/m | 498 lm/m | | | | |
| | LN-H2835T-120 | 120pcs/m | 24VDC | 6.00 W/m | 90+ | 588 lm/m | 265 lm/m | 50mm | 21mm | 10 mm |
| | | | | 95+ | 486 lm/m | 219 lm/m | | | | |
| Short Cut | FN-F2835A-120 | 120pcs/m | 24VDC | 21.60 W/m | 90+ | 1922 lm/m | 865 lm/m | 16.7mm | 3.5mm | 10 mm |
| | | | | | 95+ | 1595 lm/m | 718 lm/m | | | |



ANGULAR SURFACE MOUNTED

► SL1919K11



Installation: Angular Surface Mounted
 Length Available: 1-3m
 Profile Color: Silver, Black Anodized, White Powder Coating
 Lens: Opal, Diffuser, Clear
 Input Cable: Endcaps, Profile Bottom, Profile Sides
 Quick Female/Male Connectors Input cable & Junction Box available

ANGULAR SURFACE MOUNTED

► SL1919K11

ORDERING CODE

| LUMINAIRE | FINISH | LENS | Vol. | Power | Ra | CRI | INSTALL ACCS. | IP GRADE | CONTROL OPTOINS |
|-----------|-------------|---------------|-------------|--------------------------------|-----------|--|---|---|--|
| SL1919K11 | W White | D Diffuser | 12 12VDC | 14.40W/m | 90 90+ | 22-2200K, 24-2400K, 25-2500K 27-2700K, 30-3000K, 35-3500K 40-4000K, 50-5000K, 65-6500K | 01 - Black&Red 22AWG | A - AMP male/female M - Molex male/female D - DC male/female | E - Through Endcaps B - Through profile end bottom S - Through profile side |
| | B Black | O Opal | 24 24VDC | 11.52W/m | 95 95+ | 22-2200K, 25-2500K, 27-2700K 30-3000K, 35-3500K, 40-4000K 50-5000K, 65-6500K | | | |
| | S Silver | C Clear | 36 36VDC | 28.80W/m | TW | Tunable White - check your executive sales | 03 - White PU protected 2 pin | | |
| | | | 48 48VDC | 5.18W/m 6.00W/m 21.60W/m | D2W | Dim To Warm - check your executive sales | 04 - 3Pin cable for Tunable white | | |

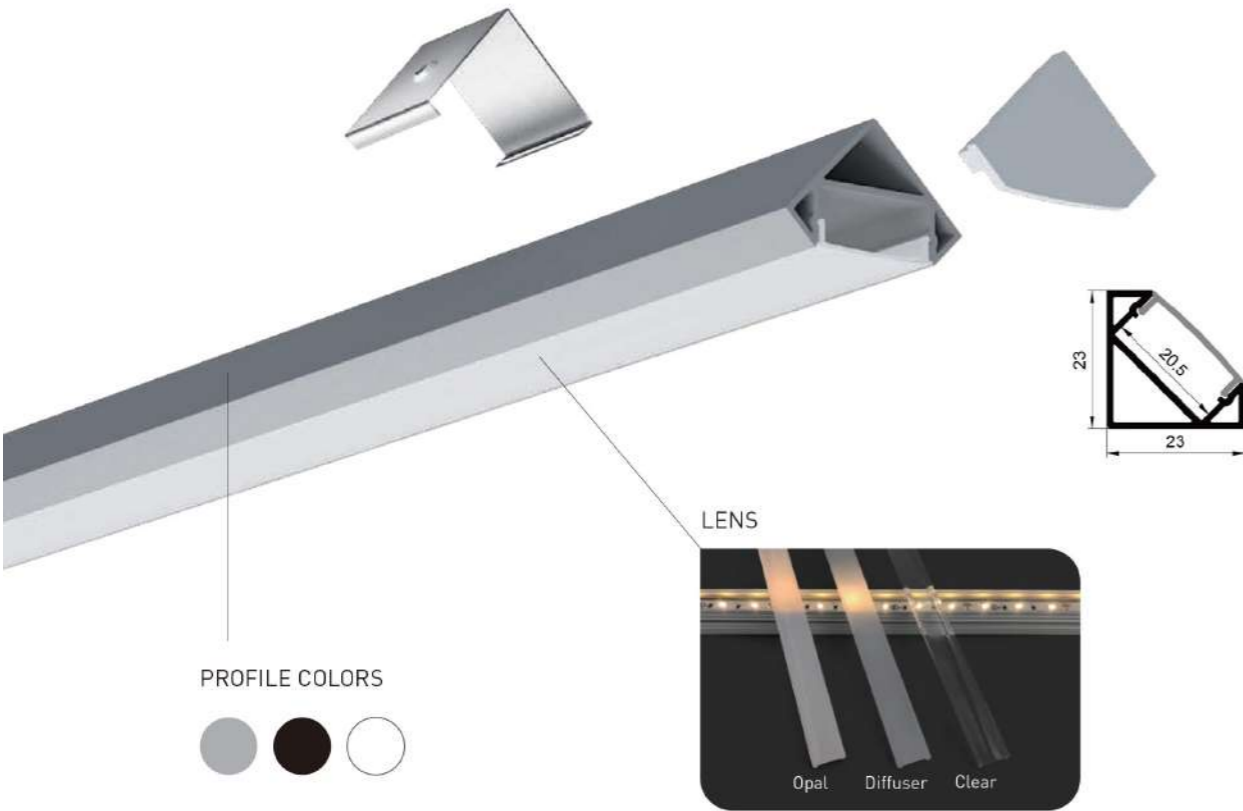
RECOMMEND LIGHT SOURCE

| Performance | Part Code | LED QTY | Input Vol. | Power | CRI | Light Source Lumen | Diffuser Lens Lumen | Cuttable length | Max Run | PCB Width |
|-----------------|---------------|----------|------------|-----------|-----|--------------------|---------------------|-----------------|---------|-----------|
| General | FN-H2835T-120 | 120pcs/m | 12/24VDC | 14.40 W/m | 90+ | 1512 lm/m | 680 lm/m | 12V=50mm | 12V=5m | 10 mm |
| | | | | | 95+ | 1282 lm/m | 577 lm/m | 24V=50mm | 24V=9m | |
| High Efficiency | FN-H2835T-128 | 128pcs/m | 12/24VDC | 11.52 W/m | 90+ | 1613 lm/m | 726 lm/m | 12V=31.2mm | 12V=3m | 10 mm |
| | | | | | 95+ | 1475 lm/m | 664 lm/m | 24V=62.5mm | 24V=6m | |
| | FN-H28350-160 | 160pcs/m | 24VDC | 24 W/m | 90+ | 3480 lm/m | 1739 lm/m | 50mm | 3m | 10 mm |
| | | | | | 95+ | 4176 lm/m | 2086lm/m | 41.7mm | 2.5m | |
| Long Run | LN-H2835T-80 | 80pcs/m | 36VDC | 5.18W/m | 90+ | 580 lm/m | 261 lm/m | 100mm | 50mm | 10 mm |
| | | | | | 95+ | 482 lm/m | 217 lm/m | | | |
| | LN-H2835T-112 | 112pcs/m | 48VDC | 11.52 W/m | 90+ | 1336 lm/m | 601 lm/m | 125mm | 25mm | 10 mm |
| | | | | | 95+ | 1106 lm/m | 498 lm/m | | | |
| | LN-H2835T-120 | 120pcs/m | 24VDC | 6.00 W/m | 90+ | 588 lm/m | 265 lm/m | 50mm | 21mm | 10 mm |
| | | | | | 95+ | 486 lm/m | 219 lm/m | | | |
| Short Cut | FN-F2835A-120 | 120pcs/m | 24VDC | 21.60 W/m | 90+ | 1922 lm/m | 865 lm/m | 16.7mm | 3.5mm | 10 mm |
| | | | | | 95+ | 1595 lm/m | 718 lm/m | | | |



ANGULAR SURFACE MOUNTED

► SL232320



Installation: Angular Surface Mounted
 Length Available: 1-3m
 Profile Color: Silver, Black Anodized, White Powder Coating
 Lens: Opal, Diffuser, Clear
 Input Cable: Endcaps, Profile Bottom, Profile Sides
 Quick Female/Male Connectors Input cable & Junction Box available

ANGULAR SURFACE MOUNTED

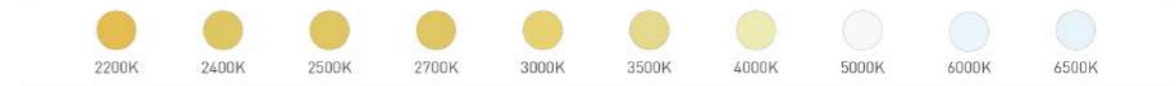
► SL232320

ORDERING CODE

| LUMINAIRE | FINISH | LENS | Vol. | Power | Ra | CRI | INSTALL ACCS. | IP GRADE | CONTROL OPTOINS |
|-----------|-------------|---------------|-------------|----------|-----|--|--|---|--|
| SL232320 | W White | D Diffuser | 12 12VDC | 28.80W/m | 90 | 22-2200K , 24-2400K , 25-2500K 27-2700K , 30-3000K , 35-3500K 40-4000K , 50-5000K , 65-6500K | 01 - Black&Red 22AWG 02 - Black&White 22AWG 03 - White PU protected 2 pin 04 - 3Pin cable for Tunable white | A - AMP male/female M - Molex male/female D - DC male/female | E - Through Endcaps B - Through profile end bottom S - Through profile side |
| | B Black | O Opal | 24 24VDC | 21.60W/m | 95 | | | | |
| | S Silver | C Clear | | 36.00W/m | 95+ | TW Tunable White - check your executive sales | | | |
| | | | | 43.2W/m | | D2W Dim To Warm - check your executive sales | | | |

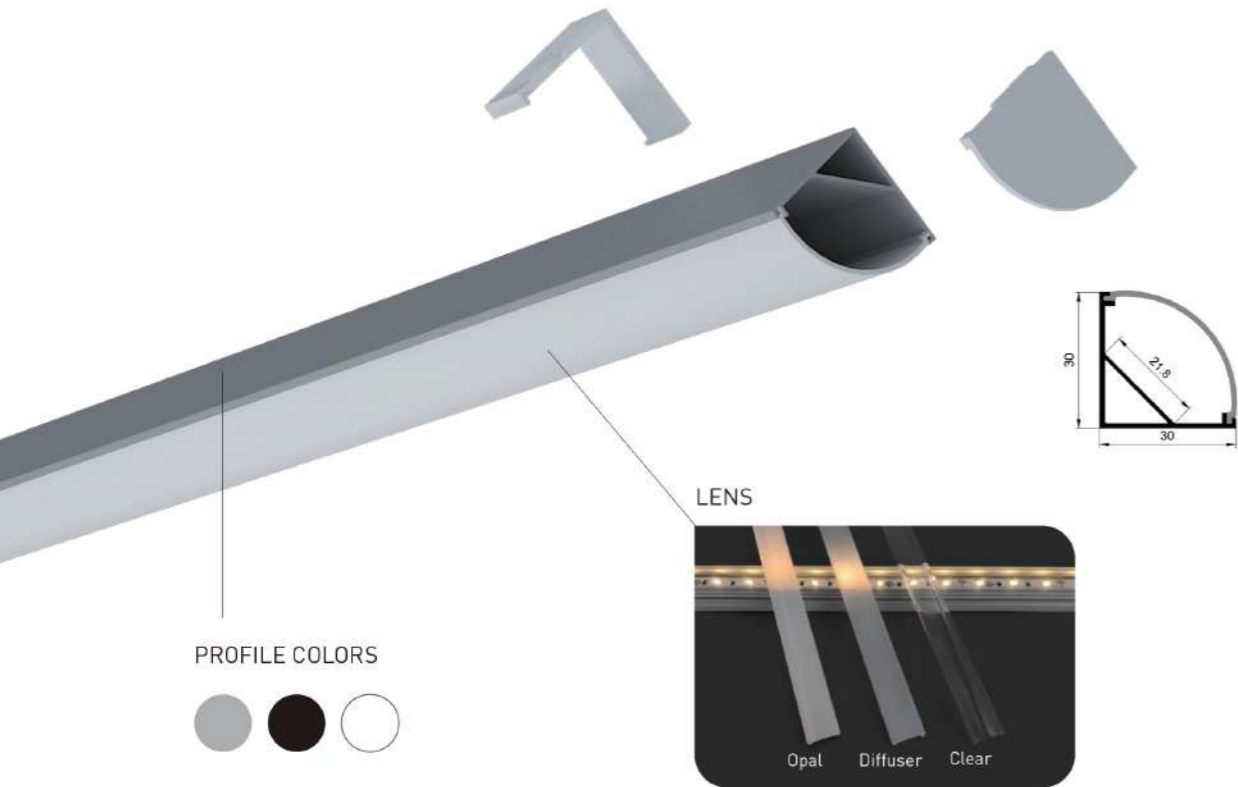
RECOMMEND LIGHT SOURCE

| Performance | Part Code | LED QTY | Input Vol. | Power | CRI | Light Source Lumen | Diffuser Lens Lumen | Cutttable length | Max Run | PCB Width |
|-----------------|---------------|----------|------------|----------|-----|--------------------|---------------------|------------------|--------------------|-----------|
| General | FN-H2835T-240 | 240pcs/m | 12/24VDC | 28.8 W/m | 90+ | 3024 lm/m | 1663 lm/m | 12V=25mm | 12V=4m 24V=6.5m | 14 mm |
| | | | | | 95+ | 2563 lm/m | 1410 lm/m | 24V=55.56mm | | |
| High Efficiency | FN-H2835-240 | 240pcs/m | 24VDC | 21.6 W/m | 90+ | 2981 lm/m | 1640 lm/m | 33.3mm | 7m | 14 mm |
| | | | | | 95+ | 2765 lm/m | 1521 lm/m | | | |
| | FN-H28350-240 | 240pcs/m | 24VDC | 36 W/m | 90+ | 5796 lm/m | 3188 lm/m | 33.3mm | 2.5m | 12 mm |
| | | | | | 95+ | 6955 lm/m | 3825lm/m | | | |



ANGULAR SURFACE MOUNTED

► SL303021



Installation: Angular Surface Mounted
 Length Available: 1-3m
 Profile Color: Silver, Black Anodized, White Powder Coating
 Lens: Opal, Diffuser, Clear
 Input Cable: Endcaps, Profile Bottom, Profile Sides
 Quick Female/Male Connectors Input cable & Junction Box available

ANGULAR SURFACE MOUNTED

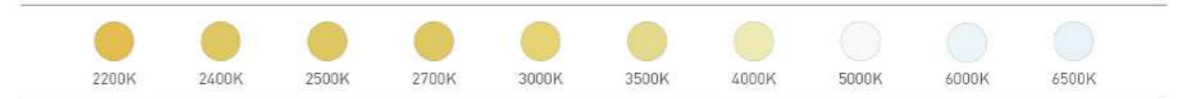
► SL303021

ORDERING CODE

| LUMINAIRE | FINISH | LENS | Vol. | Power | Ra | CRI | INSTALL ACCS. | IP GRADE | CONTROL OPTOINS |
|-----------|-------------|---------------|-------------|----------|-----------|--|--|---|--|
| SL303021 | W White | D Diffuser | 12 12VDC | 28.80W/m | 90 90+ | 22-2200K , 24-2400K , 25-2500K 27-2700K , 30-3000K , 35-3500K 40-4000K , 50-5000K , 65-6500K | 01 - Black&Red 22AWG 02 - Black&White 22AWG 03 - White PU protected 2 pin 04 - 3Pin cable for Tunable white | A - AMP male/female M - Molex male/female D - DC male/female | E - Through Endcaps B - Through profile end bottom S - Through profile side |
| | B Black | O Opal | 24 24VDC | 21.60W/m | | | | | |
| | S Silver | C Clear | | 36.00W/m | | | | | |
| | | | | 43.2W/m | | | | | |
| | | | | | TW | Tunable White - check your executive sales | | | |
| | | | | | D2W | Dim To Warm - check your executive sales | | | |

RECOMMEND LIGHT SOURCE

| Performance | Part Code | LED QTY | Input Vol. | Power | CRI | Light Source Lumen | Diffuser Lens Lumen | Cuttable Length | Max Run | PCB Width |
|-----------------|---------------|----------|------------|----------|-----------|--------------------|---------------------|-------------------------|--------------------|-----------|
| General | FN-H2835T-240 | 240pcs/m | 12/24VDC | 28.8 W/m | 90+ | 3024 lm/m | 1754 lm/m | 12V=25mm 24V=55.56mm | 12V=4m 24V=6.5m | 14 mm |
| | | | | | 95+ | 2563 lm/m | 1487 lm/m | | | |
| High Efficiency | FN-H2835 -240 | 240pcs/m | 24VDC | 21.6 W/m | 90+ | 2981 lm/m | 1729 lm/m | 33.3mm | 7m | 14 mm |
| | | | | 95+ | 2765 lm/m | 1604 lm/m | | | | |
| | FN-H28350-240 | 240pcs/m | 24VDC | 36 W/m | 90+ | 5796 lm/m | 3362 lm/m | 33.3mm | 2.5m | 12 mm |
| | FN-H28350-288 | 288pcs/m | 24VDC | 43.2 W/m | 90+ | 6955 lm/m | 4034 lm/m | 27.8mm | 2m | 12 mm |



ANGULAR SURFACE MOUNTED

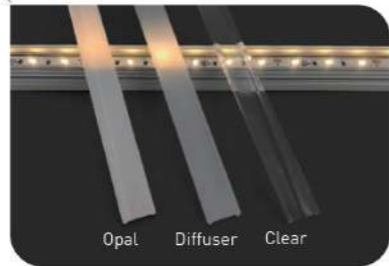
► SL3030B21



PROFILE COLORS



LENS



Installation: Angular Surface Mounted
 Length Available: 1-3m
 Profile Color: Silver, Black Anodized, White Powder Coating
 Lens: Opal, Diffuser, Clear
 Input Cable: Endcaps, Profile Bottom, Profile Sides
 Quick Female/Male Connectors Input cable & Junction Box available

ANGULAR SURFACE MOUNTED

► SL3030B21

ORDERING CODE

| LUMINAIRE | FINISH | LENS | Vol. | Power | Ra | CRI | INSTALL ACCS. | IP GRADE | CONTROL OPTOINS | |
|-----------|-------------|---------------|-------------|----------|-----|--|---|---|--|---|
| SL3030B21 | W White | D Diffuser | 12 12VDC | 28.80W/m | 90 | 22-2200K , 24-2400K , 25-2500K 27-2700K , 30-3000K , 35-3500K 40-4000K , 50-5000K , 65-6500K | 01 - Black&Red 22AWG | A - AMP male/female M - Molex male/female D - DC male/female | E - Through Endcaps B - Through profile end bottom S - Through profile side | |
| | B Black | O Opal | 24 24VDC | 21.60W/m | 95 | | | | | 22-2200K , 25-2500K , 27-2700K 30-3000K , 35-3500K , 40-4000K 50-5000K , 65-6500K |
| | S Silver | C Clear | | 36.00W/m | 95+ | TW | Tunable White - check your executive sales | | | |
| | | | | 43.2W/m | | D2W | Dim To Warm - check your executive sales | | | 04 - 3Pin cable for Tunable white |

RECOMMEND LIGHT SOURCE

| Performance | Part Code | LED QTY | Input Vol. | Power | CRI | Light Source Lumen | Diffuser Lens Lumen | Cutttable length | Max Run | PCB Width |
|-----------------|---------------|----------|------------|----------|-----|--------------------|---------------------|------------------|--------------------|-----------|
| General | FN-H2835T-240 | 240pcs/m | 12/24VDC | 28.8 W/m | 90+ | 3024 lm/m | 2147 lm/m | 12V=25mm | 12V=4m 24V=6.5m | 14 mm |
| | | | | | 95+ | 2563 lm/m | 1820 lm/m | 24V=55.56mm | | |
| High Efficiency | FN-H2835-240 | 240pcs/m | 24VDC | 21.6 W/m | 90+ | 2981 lm/m | 2117 lm/m | 33.3mm | 7m | 14 mm |
| | | | | | 95+ | 2765 lm/m | 1963 lm/m | | | |
| | FN-H28350-240 | 240pcs/m | 24VDC | 36 W/m | 90+ | 5796 lm/m | 4115 lm/m | 33.3mm | 2.5m | 12 mm |
| | | | | | 95+ | 6955 lm/m | 4938 lm/m | | | |



ANGULAR SURFACE MOUNTED

► SL3030C21



Installation: Angular Surface Mounted
 Length Available: 1-3m
 Profile Color: Silver, Black Anodized, White Powder Coating
 Lens: Opal, Diffuser, Clear
 Input Cable: Endcaps, Profile Bottom, Profile Sides
 Quick Female/Male Connectors Input cable & Junction Box available

ANGULAR SURFACE MOUNTED

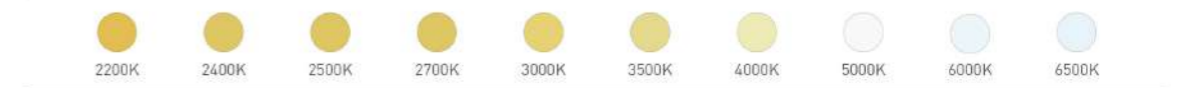
► SL3030C21

ORDERING CODE

| LUMINAIRE | FINISH | LENS | Vol. | Power | Ra | CRI | INSTALL ACCS. | IP GRADE | CONTROL OPTOINS |
|-----------|-------------|---------------|-------------|----------|-----------|--|--|---|--|
| SL3030C21 | W White | D Diffuser | 12 12VDC | 28.80W/m | 90 90+ | 22-2200K, 24-2400K, 25-2500K 27-2700K, 30-3000K, 35-3500K 40-4000K, 50-5000K, 65-6500K | 01 - Black&Red 22AWG 02 - Black&White 22AWG 03 - White PU protected 2 pin 04 - 3Pin cable for Tunable white | A - AMP male/female M - Motex male/female D - DC male/female | E - Through Endcaps B - Through profile end bottom S - Through profile side |
| | B Black | O Opal | 24 24VDC | 21.60W/m | 95 95+ | 22-2200K, 25-2500K, 27-2700K 30-3000K, 35-3500K, 40-4000K 50-5000K, 65-6500K | | | |
| | S Silver | C Clear | 36 36VDC | 43.2W/m | TW | Tunable White - check your executive sales | | | |
| | | | 48 48VDC | | D2W | Dim To Warm - check your executive sales | | | |

RECOMMEND LIGHT SOURCE

| Performance | Part Code | LED QTY | Input Vol. | Power | CRI | Light Source Lumen | Diffuser Lens Lumen | Cutttable Length | Max Run | PCB Width |
|-----------------|---------------|----------|------------|----------|-----|--------------------|---------------------|------------------|----------|-----------|
| General | FN-H2835T-240 | 240pcs/m | 12/24VDC | 28.8 W/m | 90+ | 3024 lm/m | 1754 lm/m | 12V=25mm | 12V=4m | 14 mm |
| | | | | | 95+ | 2563 lm/m | 1487 lm/m | 24V=55.56mm | 24V=6.5m | |
| High Efficiency | FN-H2835-240 | 240pcs/m | 24VDC | 21.6 W/m | 90+ | 2981 lm/m | 1729 lm/m | 33.3mm | 7m | 14 mm |
| | FN-H28350-240 | 240pcs/m | 24VDC | 36 W/m | 90+ | 5796 lm/m | 3362 lm/m | 33.3mm | 2.5m | 12 mm |
| | FN-H28350-288 | 288pcs/m | 24VDC | 43.2 W/m | 90+ | 6955 lm/m | 4034 lm/m | 27.8mm | 2m | 12 mm |



ANGULAR SURFACE MOUNTED

► SL3030D21



Installation: Angular Surface Mounted
 Length Available: 1-3m
 Profile Color: Silver, Black Anodized, White Powder Coating
 Lens: Opal, Diffuser, Clear
 Input Cable: Endcaps, Profile Bottom, Profile Sides
 Quick Female/Male Connectors Input cable & Junction Box available

ANGULAR SURFACE MOUNTED

► SL3030D21

ORDERING CODE

| LUMINAIRE | FINISH | LENS | Vol. | Power | Ra | CRI | INSTALL ACCS. | IP GRADE | CONTROL OPTOINS |
|-----------|-------------|---------------|-------------|------------|-----------|--|---|--------------------------|---|
| SL3030D21 | W White | D Diffuser | 24 24VDC | 16.42W±10% | 90 90+ | 22-2200K , 24-2400K 25-2500K , 27-2700K 30-3000K , 35-3500K 40-4000K , 50-5000K 65-6500K | 01 - Black&Red 22AWG | A - AMP male/female | E - Through Endcaps |
| | B Black | O Opal | | | | | 02 - Black&White 22AWG | M - Molex male/female | B - Through profile end bottom |
| | S Silver | C Clear | | | | TW Tunable White - check your executive sales | 03 - White PU protected 2 pin | D - DC male/female | S - Through profile side |
| | | | | | | D2W Dim To Warm - check your executive sales | 04 - 3Pin cable for Tunable white | | |

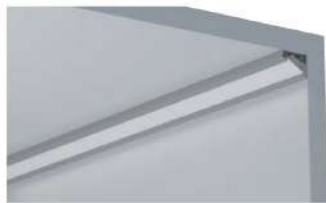
RECOMMEND LIGHT SOURCE

| Performance | Part Code | LED QTY | Input Vol. | Power | CRI | Light Source Lumen | Diffuser Lens Lumen | Cutttable length | Max Run | PCB Width |
|-------------|-------------|----------|------------|--------------|-----|--------------------|---------------------|------------------|---------|-----------|
| General | FN-2016-266 | 266pcs/m | 24VDC | 16.42W ± 10% | 90+ | 1700 lm/m | lm/m | 26.3mm | 3M | 10mm |



ANGULAR SURFACE MOUNTED

► SL221510



Installation: Angular Surface Mounted
 Length Available: 1-3m
 Profile Color: Silver, Black Anodized, White Powder Coating
 Lens: Opal, Diffuser, Clear
 Input Cable: Endcaps, Profile Bottom, Profile Sides
 Quick Female/Male Connectors Input cable & Junction Box available

ANGULAR SURFACE MOUNTED

► SL221510

ORDERING CODE

| LUMINAIRE | FINISH | LENS | Vol. | Power | Ra | CRI | INSTALL ACCS. | IP GRADE | CONTROL OPTOINS |
|-----------|---|--|-------------|------------|-----------|--|--|---|--|
| SL221510 | W White B Black S Silver | D Diffuser O Opal C Clear | 24 24VDC | 16.42W±10% | 90 90+ | 22-2200K , 24-2400K 25-2500K , 27-2700K 30-3000K , 35-3500K 40-4000K , 50-5000K 65-6500K | 01 - Black&Red 22AWG 02 - Black&White 22AWG 03 - White PU protected 2 pin 04 - 3Pin cable for Tunable white | A - AMP male/female M - Molex male/female D - DC male/female | E - Through Endcaps B - Through profile end bottom S - Through profile side |
| | | | | | | TW Tunable White - check your executive sales | | | |
| | | | | | | D2W Dim To Warm - check your executive sales | | | |

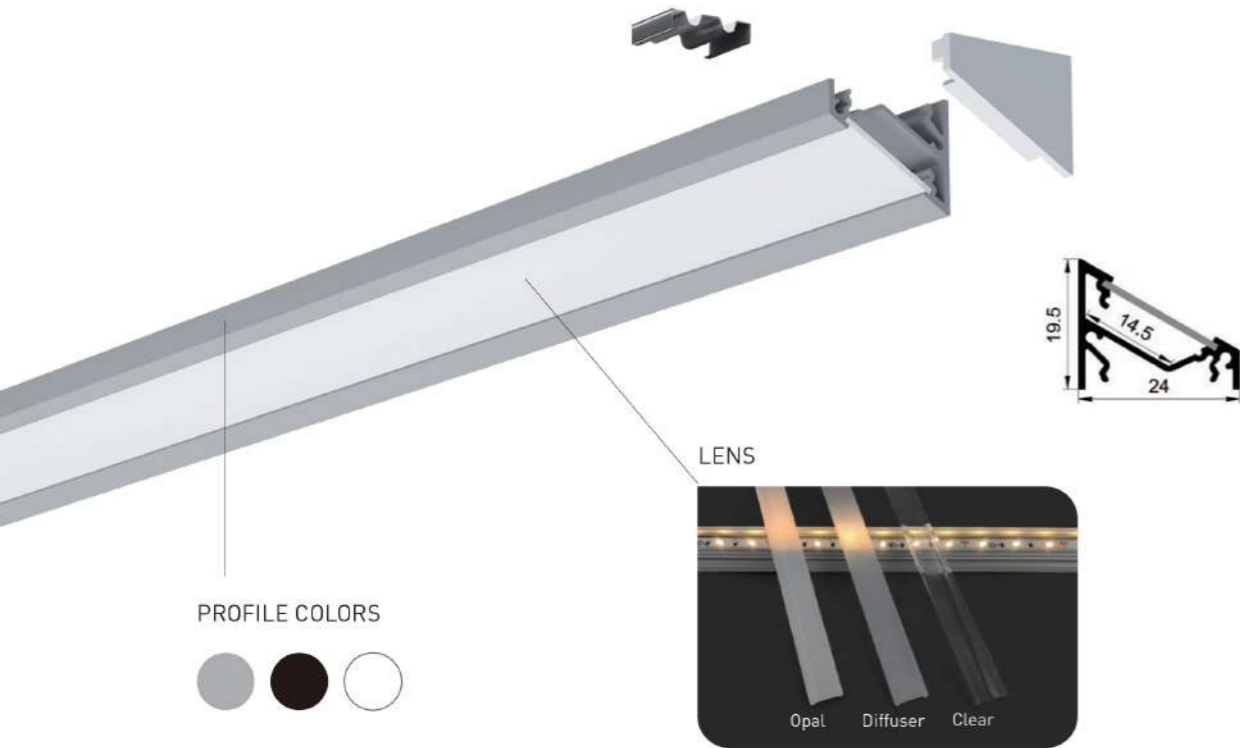
RECOMMEND LIGHT SOURCE

| Performance | Part Code | LED QTY | Input Vol. | Power | CRI | Light Source Lumen | Diffuser Lens Lumen | Cutttable length | Max Run | PCB Width |
|-------------|-------------|----------|------------|--------------|-----|--------------------|---------------------|------------------|---------|-----------|
| General | FN-2016-266 | 266pcs/m | 24VDC | 16.42W ± 10% | 90+ | 1700 lm/m | 1105 lm/m | 26.3mm | 3M | 10mm |



ANGULAR SURFACE MOUNTED

► SL271914



Installation: Angular Surface Mounted
 Length Available: 1-3m
 Profile Color: Silver, Black Anodized, White Powder Coating
 Lens: Opal, Diffuser, Clear
 Input Cable: Endcaps, Profile Bottom, Profile Sides
 Quick Female/Male Connectors Input cable & Junction Box available

ANGULAR SURFACE MOUNTED

► SL271914

ORDERING CODE

| LUMINAIRE | FINISH | LENS | Vol. | Power | Ra | CRI | INSTALL ACCS. | IP GRADE | CONTROL OPTOINS |
|-----------|---|--|-------------|------------|-----------|--|--|---|--|
| SL271914 | W White B Black S Silver | D Diffuser O Opal C Clear | 24 24VDC | 16.42W±10% | 90 90+ | 22-2200K , 24-2400K 25-2500K , 27-2700K 30-3000K , 35-3500K 40-4000K , 50-5000K 65-6500K | 01 - Black&Red 22AWG 02 - Black&White 22AWG 03 - White PU protected 2 pin 04 - 3Pin cable for Tunable white | A - AMP male/female M - Molex male/female D - DC male/female | E - Through Endcaps B - Through profile end bottom S - Through profile side |
| | | | | | | TW Tunable White - check your executive sales | | | |
| | | | | | | D2W Dim To Warm - check your executive sales | | | |

RECOMMEND LIGHT SOURCE

| Performance | Part Code | LED QTY | Input Vol. | Power | CRI | Light Source Lumen | Diffuser Lens Lumen | Cutttable length | Max Run | PCB Width |
|-------------|-------------|----------|------------|--------------|-----|--------------------|---------------------|------------------|---------|-----------|
| General | FN-2016-266 | 266pcs/m | 24VDC | 16.42W ± 10% | 90+ | 1700 lm/m | 1105 lm/m | 26.3mm | 3M | 10mm |

