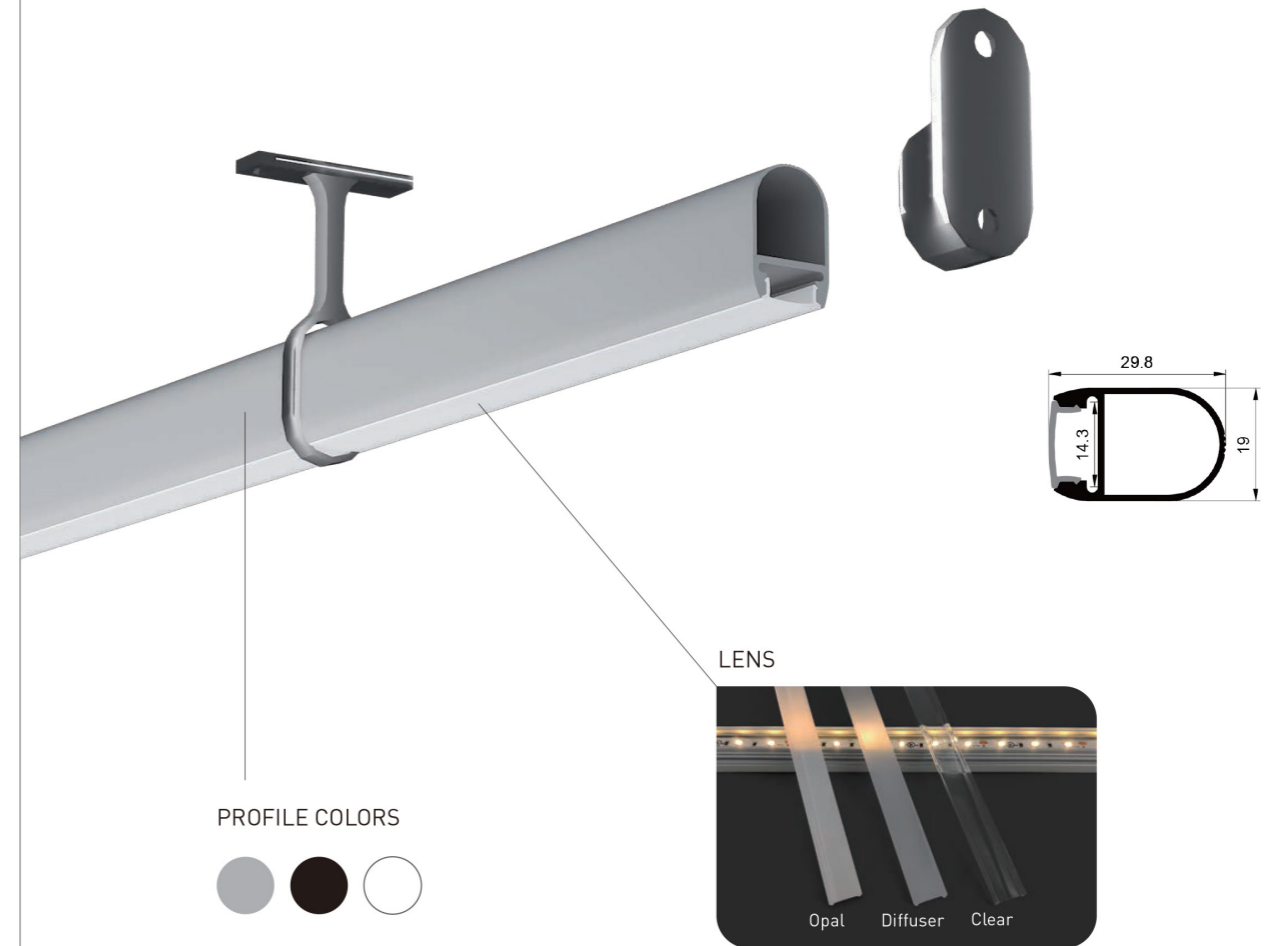


## CLOSET SERIES

▶ SL192914



Installation: Closet Hanging Bar  
Length Available: 1-3m  
Profile Color: Silver, Black Anodized, White Powder Coating  
Lens: Opal, Diffuser, Clear  
Input Cable: Endcaps, Profile Bottom, Profile Sides  
Quick Female/Male Connectors Input cable & Junction Box available

# CLOSET SERIES

► SL192914

## ORDERING CODE

LUMINAIRE	FINISH	LENS	VoL	Power	Ra	CRI	INSTALL ACCS.	IP GRADE	CONTROL OPTOINS
SL192914	W White	D Diffuser	12 12VDC	14.40W/m	90 90+	22-2200K , 24-2400K , 25-2500K 27-2700K , 30-3000K , 35-3500K 40-4000K , 50-5000K , 65-6500K	01 - Black&Red 22AWG  02 - Black&White 22AWG  03 - White PU protected 2 pin  04 - 3Pin cable for Tunable white	A - AMP male/female  M - Molex male/female  D - DC male/female	E - Through Endcaps
			24 24VDC	7.68W/m					
	B Black	O Opal	36 36VDC	5.04W/m	95 95+	22-2200K , 25-2500K , 27-2700K 30-3000K , 35-3500K , 40-4000K 50-5000K , 65-6500K			
			48 48VDC	2.40W/m					
	S Silver	C Clear	5.76W/m	TW	Tunable White - check your executive sales				
			11.52W/m						
	24.00W/m	D2W	Dim To Warm - check your executive sales						
	28.80W/m								
	5.18W/m								
	6.00W/m								
21.60W/m									

## RECOMMEND LIGHT SOURCE

Performance	Part Code	LED QTY	Input Vol.	Power	CRI	Light Source Lumen	Diffuser Lens Lumen	Cutttable length	Max Run	PCB Width			
General	FN-2835T-60	60pcs/m	12/24VDC	14.40 W/m	90+	1440 lm/m	648 lm/m	12V=50mm 24V=100mm	12V=5m 24V=9m	10 mm			
					95+	1238 lm/m	557 lm/m						
High Efficiency	FN-H2835T-64	64pcs/m	24VDC	7.68 W/m	90+	1029 lm/m	463 lm/m	125mm	5m	10 mm			
					95+	968 lm/m	436 lm/m						
Long Run	LN-2835T-60	60pcs/m	24VDC	5.04 W/m	90+	499 lm/m	225 lm/m	100mm	21m	10mm			
					95+	413 lm/m	186 lm/m						
				2.4 W/m	90+	230 lm/m	104 lm/m	100mm	50mm	10 mm			
					95+	190 lm/m	86 lm/m						
				5.76 W/m	LN-2835T-56	56pcs/m	48VDC	90+	668 lm/m	301 lm/m	250mm	35mm	10 mm
								95+	553 lm/m	249 lm/m			
Short Cut	FN-F2835A-60	60pcs/m	24VDC	14.4 W/m	90+	1239 lm/m	531 lm/m	33.3mm	5.5mm	10 mm			
					95+	979lm/m	441 lm/m						

# CLOSET SERIES

► SL192914

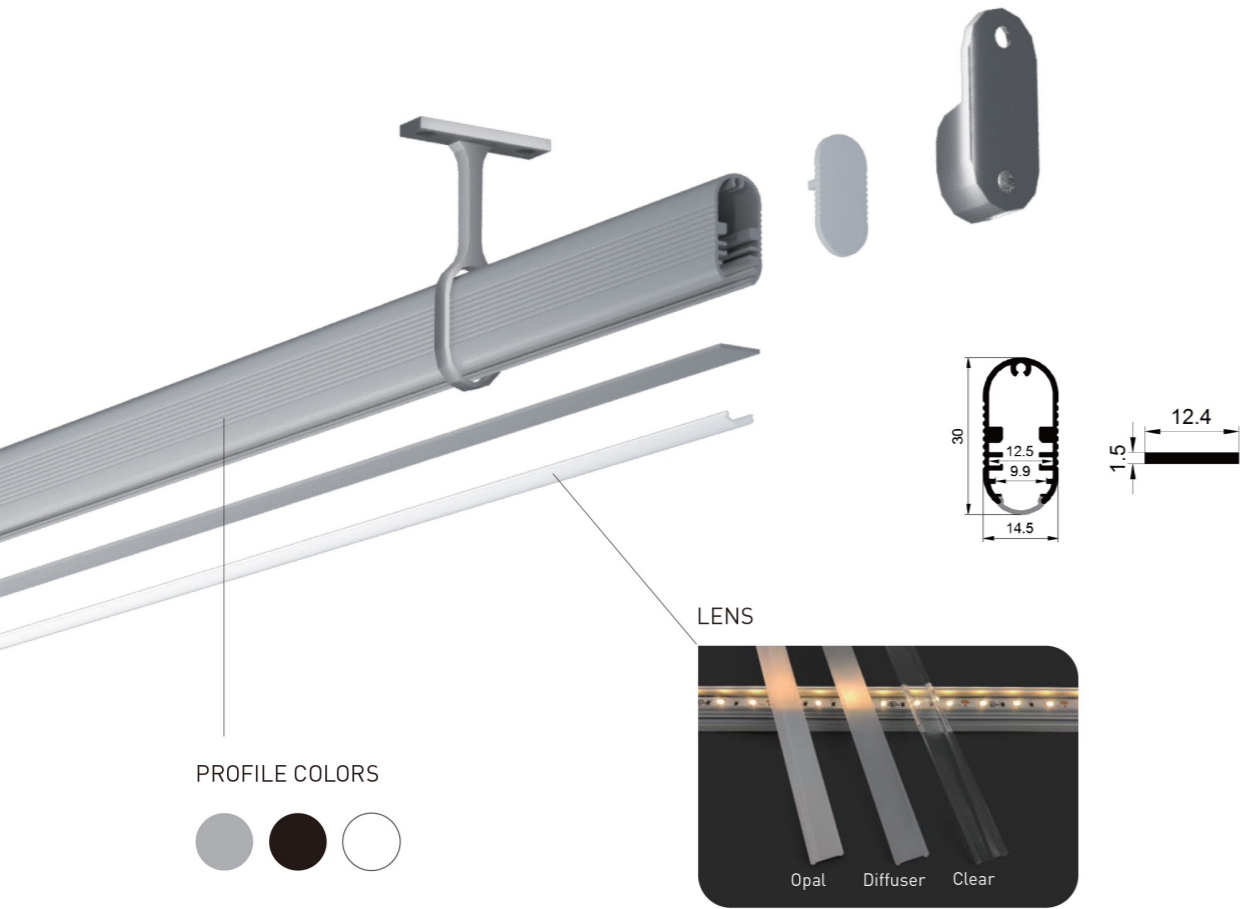
## RECOMMEND LIGHT SOURCE

Performance	Part Code	LED QTY	Input Vol.	Power	CRI	Light Source Lumen	Diffuser Lens Lumen	Cutttable length	Max Run	PCB Width							
General	FN-H2835T-120	120pcs/m	12/24VDC	14.40 W/m	90+	1512 lm/m	680 lm/m	12V=50mm 24V=50mm	12V=5m 24V=9m	10 mm							
					95+	1282 lm/m	577 lm/m										
High Efficiency	FN-H2835T-128	128pcs/m	12/24VDC	11.52 W/m	90+	1613 lm/m	726 lm/m	12V=31.2mm 24V=62.5mm	12V=3m 24V=6m	10 mm							
					95+	1475 lm/m	664 lm/m										
	FN-H28350-160	160pcs/m	24VDC	24 W/m	90+	3480 lm/m	1739 lm/m	50mm	3m	10 mm							
					FN-H2835T-160	160pcs/m	12/24VDC				14.40 W/m	90+	1987 lm/m	894 lm/m	12V=25mm 24V=50mm	12V=3mm 24V=5mm	10 mm
												95+	1843 lm/m	829 lm/m			
FN-H28350-192	192pcs/m	24VDC	28.8 W/m	90+	4176 lm/m	2086 lm/m	41.7mm	2.5m	10 mm								
				90+	580 lm/m	261 lm/m				100mm	50mm	10 mm					
Long Run	LN-H2835T-80	80pcs/m	36VDC	5.18W/m	90+	580 lm/m	261 lm/m	100mm	50mm				10 mm				
					95+	482 lm/m	217 lm/m										
	LN-H2835T-112	112pcs/m	48VDC	11.52 W/m	90+	1336 lm/m	601 lm/m	125mm	25mm	10 mm							
					95+	1106 lm/m	498 lm/m										
LN-H2835T-120	120pcs/m	24VDC	6.00 W/m	90+	588 lm/m	265 lm/m	50mm	21mm	10 mm								
				95+	486 lm/m	219 lm/m											
Short Cut	FN-F2835A-120	120pcs/m	24VDC	21.60 W/m	90+	1922 lm/m	865 lm/m	16.7mm	3.5mm	10 mm							
					95+	1595 lm/m	718 lm/m										



# CLOSET SERIES

► SL152909



Installation: Closet Hanging Bar  
 Length Available: 1-3m  
 Profile Color: Silver, Black Anodized, White Powder Coating  
 Lens: Opal, Diffuser, Clear  
 Input Cable: Endcaps, Profile Bottom, Profile Sides  
 Quick Female/Male Connectors Input cable & Junction Box available

# CLOSET SERIES

► SL152909

## ORDERING CODE

LUMINAIRE	FINISH	LENS	Vol.	Power	Ra	CRI	INSTALL ACCS.	IP GRADE	CONTROL OPTOINS
SL152909	W White	D Diffuser	12 12VDC	14.40W/m	90 90+	22-2200K, 24-2400K, 25-2500K 27-2700K, 30-3000K, 35-3500K 40-4000K, 50-5000K, 65-6500K	01 - Black&Red 22AWG  02 - Black&White 22AWG  03 - White PU protected 2 pin  04 - 3Pin cable for Tunable white	A - AMP male/female  M - Molex male/female  D - DC male/female	E - Through Endcaps  B - Through profile end bottom  S - Through profile side
	B Black	O Opal	24 24VDC	11.52W/m					
	S Silver	C Clear	36 36VDC	24.00W/m	TW	Tunable White - check your executive sales			
			48 48VDC	28.80W/m					
			5.18W/m						
			6.00W/m						
			21.60W/m						

## RECOMMEND LIGHT SOURCE

Performance	Part Code	LED QTY	Input Vol.	Power	CRI	Light Source Lumen	Diffuser Lens Lumen	Cutttable length	Max Run	PCB Width
General	FN-H2835T-120	120pcs/m	12/24VDC	14.40 W/m	90+	1512 lm/m	680 lm/m	12V=50mm	12V=5m	10 mm
					95+	1282 lm/m	577 lm/m	24V=50mm	24V=9m	
High Efficiency	FN-H2835T-128	128pcs/m	12/24VDC	11.52 W/m	90+	1613 lm/m	726 lm/m	12V=31.2mm	12V=3m	10 mm
					95+	1475 lm/m	664 lm/m	24V=62.5mm	24V=6m	
	FN-H28350-160	160pcs/m	24VDC	24 W/m	90+	3480 lm/m	1739 lm/m	50mm	3m	10 mm
	FN-H2835T-160	160pcs/m	12/24VDC	14.40 W/m	90+	1987 lm/m	894 lm/m	12V=25mm	12V=3mm	
				95+	1843 lm/m	829 lm/m	24V=50mm	24V=5mm		
Long Run	LN-H2835T-80	80pcs/m	36VDC	5.18W/m	90+	580 lm/m	261 lm/m	100mm	50mm	10 mm
					95+	482 lm/m	217 lm/m			
	LN-H2835T-112	112pcs/m	48VDC	11.52 W/m	90+	1336 lm/m	601 lm/m	125mm	25mm	10 mm
					95+	1106 lm/m	498 lm/m			
	LN-H2835T-120	120pcs/m	24VDC	6.00 W/m	90+	588 lm/m	265 lm/m	50mm	21mm	10 mm
					95+	486 lm/m	219 lm/m			
Short Cut	FN-F2835A-120	120pcs/m	24VDC	21.60 W/m	90+	1922 lm/m	865 lm/m	16.7mm	3.5mm	10 mm
					95+	1595 lm/m	718 lm/m			

