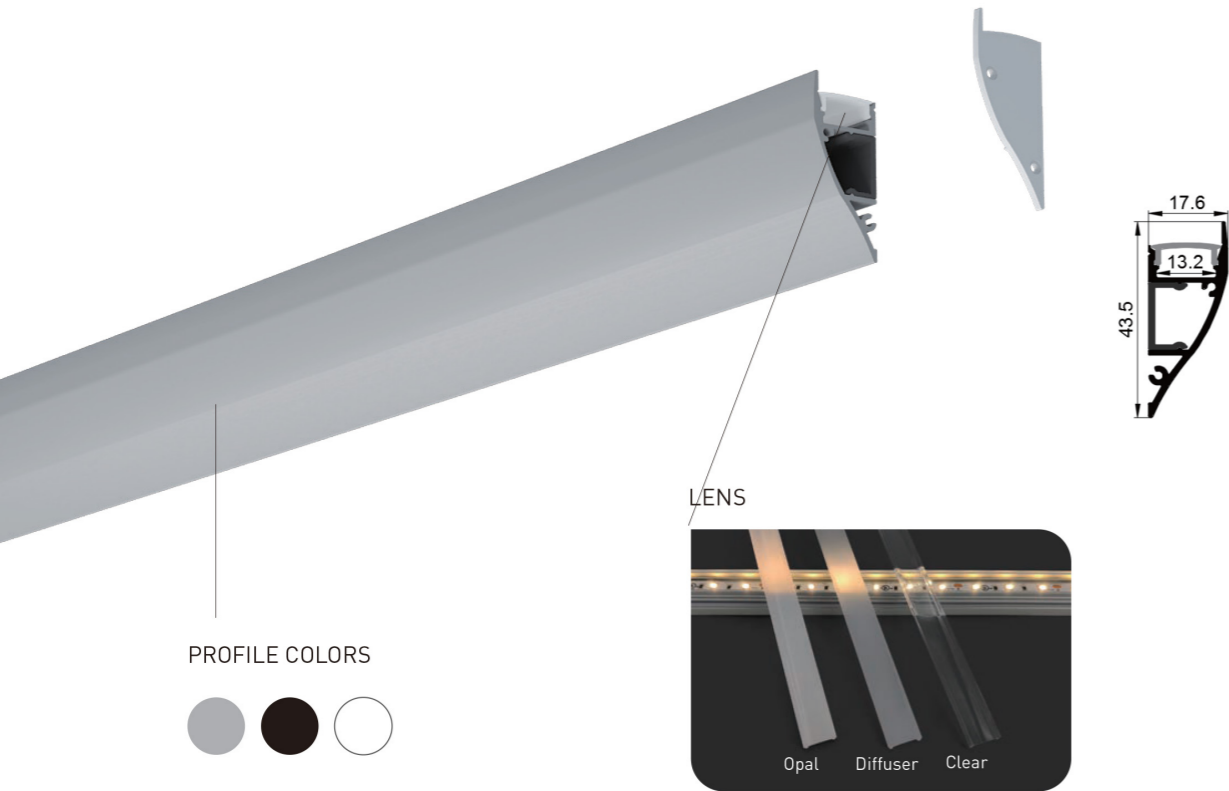


WALL MOUNTED SERIES

► SL184413



Installation: Wall Surface Mounted
 Length Available: 1-3m
 Profile Color: Silver, Black Anodized, White Powder Coating
 Lens: Opal, Diffuser, Clear
 Input Cable: Endcaps, Profile Bottom, Profile Sides
 Quick Female/Male Connectors Input cable & Junction Box available

WALL MOUNTED SERIES

► SL184413

ORDERING CODE

LUMINAIRE	FINISH	LENS	Vol.	Power	Ra	CRI	INSTALL ACCS.	IP GRADE	CONTROL OPTOINS
SL184413	W White	D Diffuser	12 12VDC	14.40W/m	90	22-2200K , 24-2400K , 25-2500K 27-2700K , 30-3000K , 35-3500K 40-4000K , 50-5000K , 65-6500K	01 - Black&Red 22AWG 02 - Black&White 22AWG 03 - White PU protected 2 pin 04 - 3Pin cable for Tunable white	A - AMP male/female M - Molex male/female D - DC male/female	E - Through Endcaps B - Through profile end bottom S - Through profile side
	B Black	O Opal	24 24VDC	11.52W/m	95				
	S Silver	C Clear	36 36VDC	24.00W/m	95+	TW Tunable White - check your executive sales D2W Dim To Warm - check your executive sales			
			48 48VDC	28.80W/m					
				5.18W/m					
				6.00W/m					
				21.60W/m					

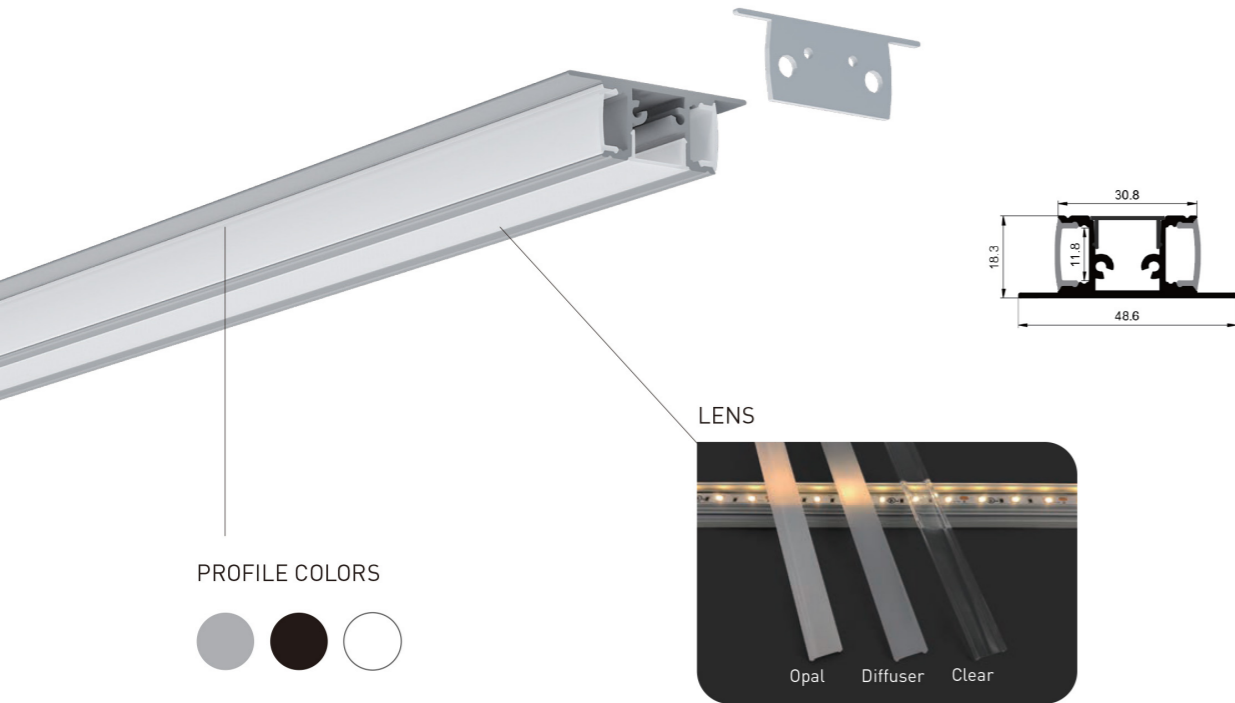
RECOMMEND LIGHT SOURCE

Performance	Part Code	LED QTY	Input Vol.	Power	CRI	Light Source Lumen	Diffuser Lens Lumen	Cutttable length	Max Run	PCB Width
General	FN-H2835T-120	120pcs/m	12/24VDC	14.40 W/m	90+	1512 lm/m	605 lm/m	12V=50mm	12V=5m	10 mm
					95+	1282 lm/m	513 lm/m	24V=50mm	24V=9m	
High Efficiency	FN-H2835T-128	128pcs/m	12/24VDC	11.52 W/m	90+	1613 lm/m	645 lm/m	12V=31.2mm	12V=3m	10 mm
					95+	1475 lm/m	590 lm/m	24V=62.5mm	24V=6m	
	FN-H28350-160	160pcs/m	24VDC	24 W/m	90+	3480 lm/m	1546 lm/m	50mm	3m	10 mm
					95+	1987 lm/m	795 lm/m	12V=25mm	12V=3mm	
FN-H2835T-160	160pcs/m	12/24VDC	14.40 W/m	90+	1843 lm/m	737 lm/m	24V=50mm	24V=5mm	10 mm	
				95+	1843 lm/m	737 lm/m				
FN-H28350-192	192pcs/m	24VDC	28.8 W/m	90+	4176 lm/m	1584 lm/m	41.7mm	2.5m	10 mm	
				95+	4176 lm/m	1584 lm/m				
Long Run	LN-H2835T-80	80pcs/m	36VDC	5.18W/m	90+	580 lm/m	232 lm/m	100mm	50mm	10 mm
					95+	482 lm/m	193 lm/m			
	LN-H2835T-112	112pcs/m	48VDC	11.52 W/m	90+	1336 lm/m	534 lm/m	125mm	25mm	10 mm
					95+	1106 lm/m	442 lm/m			
LN-H2835T-120	120pcs/m	24VDC	6.00 W/m	90+	588 lm/m	235 lm/m	50mm	21mm	10 mm	
				95+	486 lm/m	194 lm/m				
Short Cut	FN-F2835A-120	120pcs/m	24VDC	21.60 W/m	90+	1922 lm/m	769 lm/m	16.7mm	3.5mm	10 mm
					95+	1595 lm/m	638 lm/m			



WALL MOUNTED SERIES

► SL184811



PROFILE COLORS



Installation: Wall Surface Mounted
 Length Available: 1-3m
 Profile Color: Silver, Black Anodized, White Powder Coating
 Lens: Opal, Diffuser, Clear
 Input Cable: Endcaps, Profile Bottom, Profile Sides
 Quick Female/Male Connectors Input cable & Junction Box available

WALL MOUNTED SERIES

► SL184811

ORDERING CODE

LUMINAIRE	FINISH	LENS	VoL	Power	Ra	CRI	INSTALL ACCS.	IP GRADE	CONTROL OPTOINS
SL184811	W White	D Diffuser	12 12VDC	28.8 W/m	90	22-2200K , 24-2400K , 25-2500K 27-2700K , 30-3000K , 35-3500K 40-4000K , 50-5000K , 65-6500K	01 - Black&Red 22AWG	A - AMP male/female M - Molex male/female D - DC male/female	E - Through Endcaps B - Through profile end bottom S - Through profile side
	B Black	O Opal	24 24VDC	23.04 W/m	90+				
	S Silver	C Clear	36 36VDC	48 W/m	95	22-2200K , 25-2500K , 27-2700K 30-3000K , 35-3500K , 40-4000K 50-5000K , 65-6500K	02 - Black&White 22AWG		
			48 48VDC	57.6 W/m	95+				
			10.36 W/m	TW	Tunable White - check your executive sales	03 - White PU protected 2 pin			
			12 W/m	D2W	Dim To Warm - check your executive sales	04 - 3Pin cable for Tunable white			
			43.2 W/m						

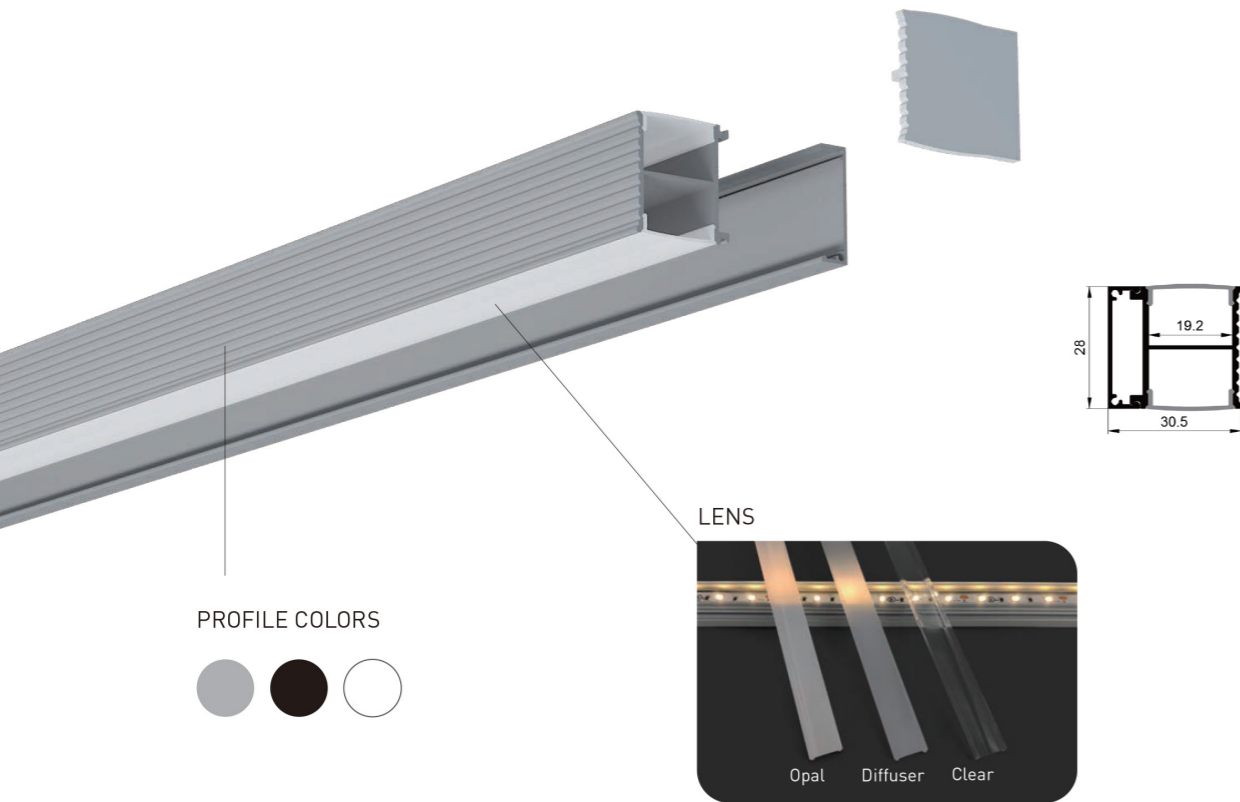
RECOMMEND LIGHT SOURCE

Performance	Part Code	LED QTY	Input Vol.	Power	CRI	Light Source Lumen	Diffuser Lens Lumen	Cuttable length	Max Run	PCB Width
General	FN-H2835T-120	120pcs/m	12/24VDC	28.8 W/m	90+	3024 lm/m	1209 lm/m	12V=50mm	12V=5m	10 mm
					95+	2564 lm/m	1025 lm/m	24V=50mm	24V=9m	
High Efficiency	FN-H2835T-128	128pcs/m	12/24VDC	23.04 W/m	90+	3226 lm/m	1290 lm/m	12V=31.2mm	12V=3m	10 mm
					95+	2950 lm/m	1180 lm/m	24V=62.5mm	24V=6m	
	FN-H28350-160	160pcs/m	24VDC	48 W/m	90+	7728 lm/m	3091 lm/m	50mm	3m	10 mm
					95+	3686 lm/m	1474 lm/m	12V=25mm	12V=3mm	
Long Run	LN-H2835T-80	80pcs/m	36VDC	10.36W/m	90+	1160 lm/m	464 lm/m	100mm	50mm	10 mm
					95+	964 lm/m	385 lm/m			
	LN-H2835T-112	112pcs/m	48VDC	23.04 W/m	90+	2672 lm/m	1068 lm/m	125mm	25mm	10 mm
					95+	2212 lm/m	884 lm/m			
	LN-H2835T-120	120pcs/m	24VDC	12 W/m	90+	1176 lm/m	470 lm/m	50mm	21mm	10 mm
					95+	972 lm/m	388 lm/m			
Short Cut	FN-F2835A-120	120pcs/m	24VDC	43.2 W/m	90+	3844 lm/m	1537 lm/m	16.7mm	3.5mm	10 mm
					95+	3190 lm/m	1276 lm/m			



WALL MOUNTED SERIES

► SL312819



PROFILE COLORS



Installation: Wall Surface Mounted
 Length Available: 1-3m
 Profile Color: Silver, Black Anodized, White Powder Coating
 Lens: Opal, Diffuser, Clear
 Input Cable: Endcaps, Profile Bottom, Profile Sides
 Quick Female/Male Connectors Input cable & Junction Box available

WALL MOUNTED SERIES

► SL312819

ORDERING CODE

LUMINAIRE	FINISH	LENS	Vol.	Power	Ra	CRI	INSTALL ACCS.	IP GRADE	CONTROL OPTOINS
SL312819	W White	D Diffuser	12 12VDC	28.8 W/m	90 90+	22-2200K , 24-2400K , 25-2500K 27-2700K , 30-3000K , 35-3500K 40-4000K , 50-5000K , 65-6500K	01 - Black&Red 22AWG 02 - Black&White 22AWG 03 - White PU protected 2 pin 04 - 3Pin cable for Tunable white	A - AMP male/female M - Molex male/female D - DC male/female	E - Through Endcaps B - Through profile end bottom S - Through profile side
	B Black	O Opal	24 24VDC	23.04 W/m					
	S Silver	C Clear	36 36VDC	48 W/m					
			48 48VDC	57.6 W/m					
				10.36 W/m					
				12 W/m	TW	Tunable White - check your executive sales			
				43.2 W/m	D2W	Dim To Warm - check your executive sales			

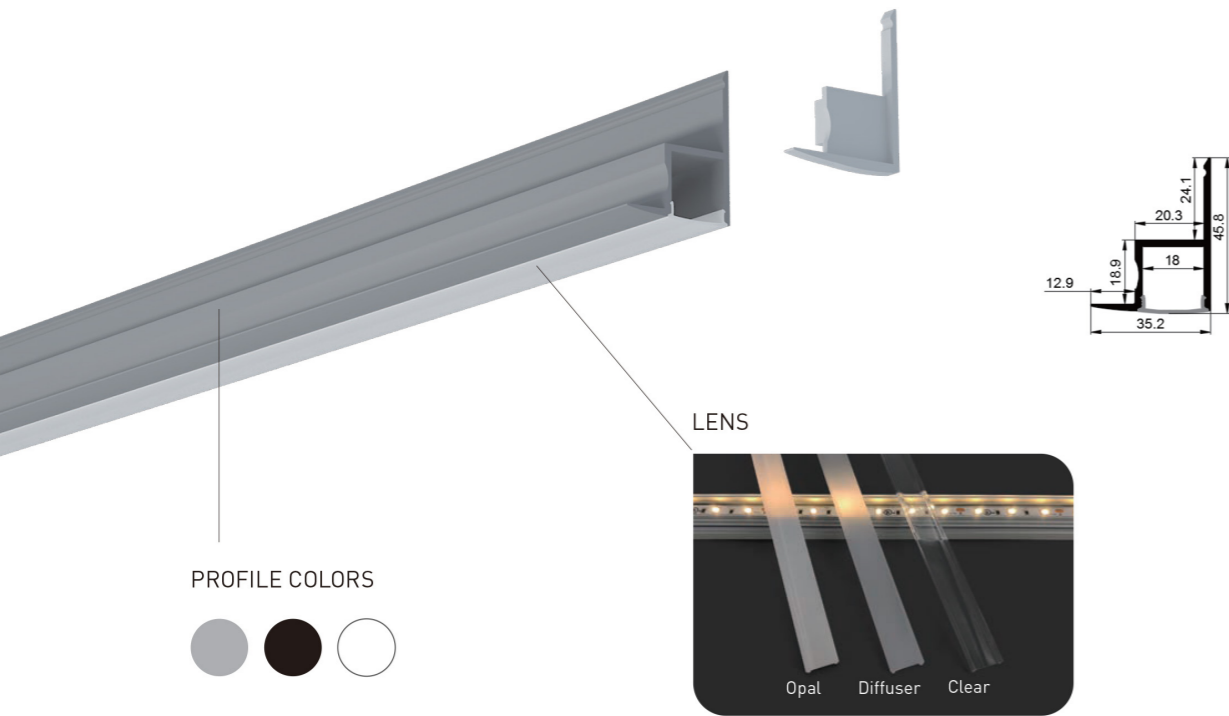
RECOMMEND LIGHT SOURCE

Performance	Part Code	LED QTY	Input Vol.	Power	CRI	Light Source Lumen	Diffuser Lens Lumen	Cutttable length	Max Run	PCB Width
General	FN-H2835T-120	120pcs/m	12/24VDC	28.8 W/m	90+	3024 lm/m	1209 lm/m	12V=50mm 24V=50mm	12V=5m 24V=9m	10 mm
					95+	2564 lm/m	1025 lm/m			
High Efficiency	FN-H2835T-128	128pcs/m	12/24VDC	23.04 W/m	90+	3226 lm/m	1290 lm/m	12V=31.2mm 24V=62.5mm	12V=3m 24V=6m	10 mm
					95+	2950 lm/m	1180 lm/m			
	FN-H28350-160	160pcs/m	24VDC	48 W/m	90+	7728 lm/m	3091 lm/m	50mm	3m	10 mm
					95+	3686 lm/m	1474 lm/m			
Long Run	LN-H2835T-80	80pcs/m	36VDC	10.36W/m	90+	1160 lm/m	464 lm/m	100mm	50mm	10 mm
					95+	964 lm/m	385 lm/m			
	LN-H2835T-112	112pcs/m	48VDC	23.04 W/m	90+	2672 lm/m	1068 lm/m	125mm	25mm	10 mm
					95+	2212 lm/m	884 lm/m			
	LN-H2835T-120	120pcs/m	24VDC	12 W/m	90+	1176 lm/m	470 lm/m	50mm	21mm	10 mm
					95+	972 lm/m	388 lm/m			
Short Cut	FN-F2835A-120	120pcs/m	24VDC	43.2 W/m	90+	3844 lm/m	1537 lm/m	16.7mm	3.5mm	10 mm
					95+	3190 lm/m	1276 lm/m			



WALL MOUNTED SERIES

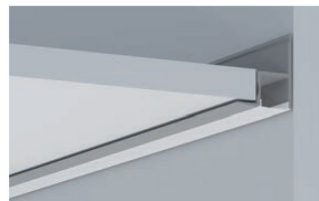
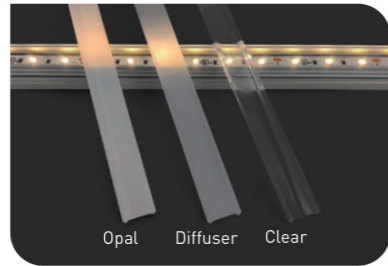
► SL453818



PROFILE COLORS



LENS



Installation: Wall Surface Mounted
 Length Available: 1-3m
 Profile Color: Silver, Black Anodized, White Powder Coating
 Lens: Opal, Diffuser, Clear
 Input Cable: Endcaps, Profile Bottom, Profile Sides
 Quick Female/Male Connectors Input cable & Junction Box available

WALL MOUNTED SERIES

► SL453818

ORDERING CODE

LUMINAIRE	FINISH	LENS	Vol.	Power	Ra	CRI	INSTALL ACCS.	IP GRADE	CONTROL OPTOINS
SL453818	W White	D Diffuser	12 12VDC	14.40W/m	90 90+	22-2200K , 24-2400K , 25-2500K 27-2700K , 30-3000K , 35-3500K 40-4000K , 50-5000K , 65-6500K	01 - Black&Red 22AWG	A - AMP male/female M - Molex male/female D - DC male/female	E - Through Endcaps B - Through profile end bottom S - Through profile side
	B Black	O Opal	24 24VDC	11.52W/m	95 95+	22-2200K , 25-2500K , 27-2700K 30-3000K , 35-3500K , 40-4000K 50-5000K , 65-6500K	02 - Black&White 22AWG		
	S Silver	C Clear	36 36VDC	24.00W/m	TW	Tunable White - check your executive sales	03 - White PU protected 2 pin		
			48 48VDC	28.80W/m	D2W	Dim To Warm - check your executive sales	04 - 3Pin cable for Tunable white		
				5.18W/m					
				6.00W/m					
			21.60W/m						

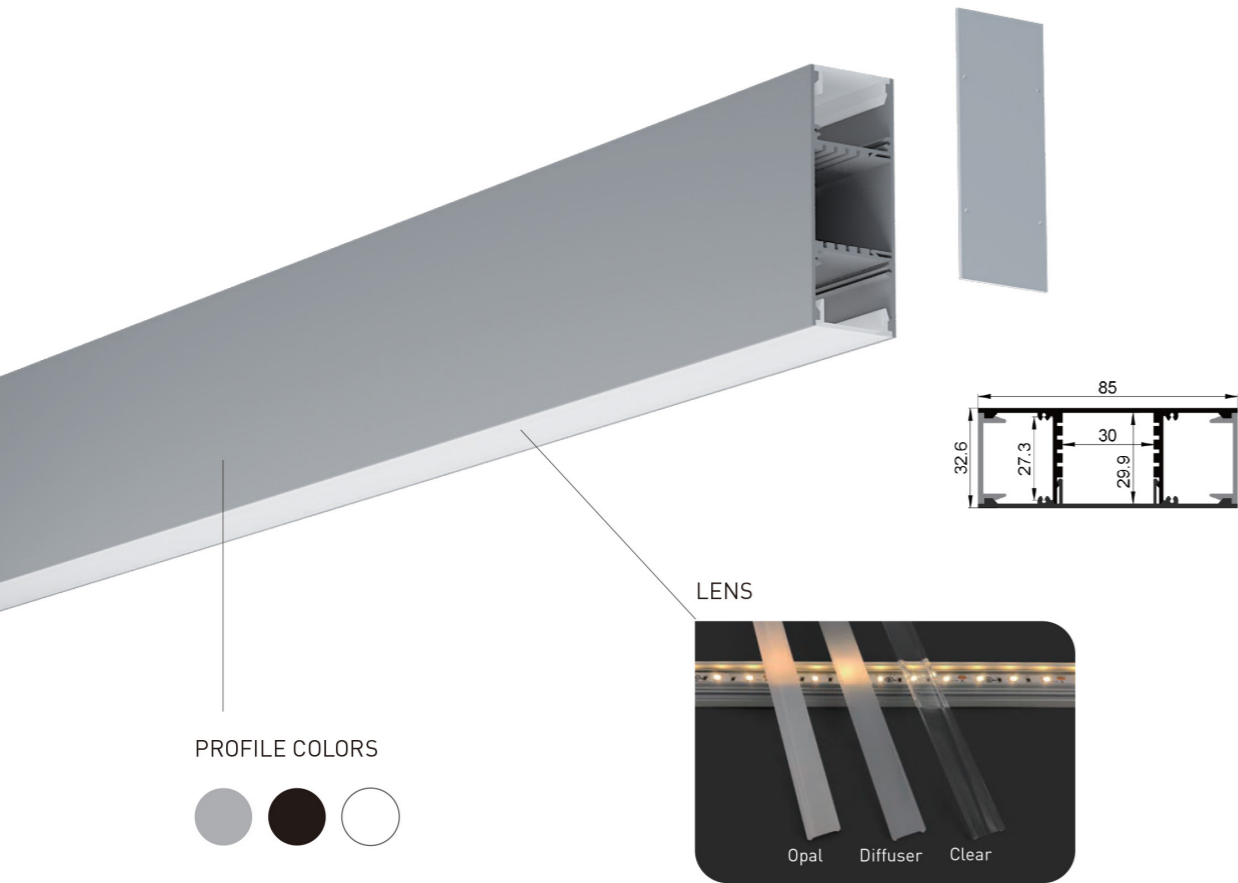
RECOMMEND LIGHT SOURCE

Performance	Part Code	LED QTY	Input Vol.	Power	CRI	Light Source Lumen	Diffuser Lens Lumen	Cutttable length	Max Run	PCB Width
General	FN-H2835T-120	120pcs/m	12/24VDC	14.40 W/m	90+	1512 lm/m	680lm/m	12V=50mm	12V=5m	10 mm
					95+	1282 lm/m	577lm/m	24V=50mm	24V=9m	
High Efficiency	FN-H2835T-128	128pcs/m	12/24VDC	11.52 W/m	90+	1613 lm/m	726lm/m	12V=31.2mm	12V=3m	10 mm
					95+	1475 lm/m	664lm/m	24V=62.5mm	24V=6m	
	FN-H28350-160	160pcs/m	24VDC	24 W/m	90+	3480 lm/m	1739lm/m	50mm	3m	10 mm
					95+	1987 lm/m	894lm/m	12V=25mm	12V=3mm	
FN-H2835T-160	160pcs/m	12/24VDC	14.40 W/m	90+	1843 lm/m	829lm/m	24V=50mm	24V=5mm	10 mm	
				95+	1843 lm/m	829lm/m				
FN-H28350-192	192pcs/m	24VDC	28.8 W/m	90+	4176 lm/m	2086lm/m	41.7mm	2.5m	10 mm	
				95+	482 lm/m	217lm/m	100mm	50mm		
Long Run	LN-H2835T-80	80pcs/m	36VDC	5.18W/m	90+	580 lm/m	261lm/m	100mm	50mm	10 mm
	LN-H2835T-112	112pcs/m	48VDC	11.52 W/m	90+	1336 lm/m	601lm/m	125mm	25mm	10 mm
					95+	1106 lm/m	498lm/m			
LN-H2835T-120	120pcs/m	24VDC	6.00 W/m	90+	588 lm/m	265lm/m	50mm	21mm	10 mm	
				95+	486 lm/m	219lm/m				
Short Cut	FN-F2835A-120	120pcs/m	24VDC	21.60 W/m	90+	1922 lm/m	865lm/m	16.7mm	3.5mm	10 mm
					95+	1595 lm/m	718lm/m			



WALL MOUNTED SERIES

► SL328527



Installation: Wall Surface Mounted
 Length Available: 1-3m
 Profile Color: Silver, Black Anodized, White Powder Coating
 Lens: Opal, Diffuser, Clear
 Input Cable: Endcaps, Profile Bottom, Profile Sides
 Quick Female/Male Connectors Input cable & Junction Box available

WALL MOUNTED SERIES

► SL328527

ORDERING CODE

LUMINAIRE	FINISH	LENS	Vol.	Power	Ra	CRI	INSTALL ACCS.	IP GRADE	CONTROL OPTOINS
SL328527	W White	D Diffuser	12 12VDC	28.8 W/m	90 90+	22-2200K , 24-2400K , 25-2500K 27-2700K , 30-3000K , 35-3500K 40-4000K , 50-5000K , 65-6500K	01 - Black&Red 22AWG	A - AMP male/female M - Molex male/female D - DC male/female	E - Through Endcaps B - Through profile end bottom S - Through profile side
	B Black	O Opal	24 24VDC	48 W/m	95 95+	22-2200K , 25-2500K , 27-2700K 30-3000K , 35-3500K , 40-4000K 50-5000K , 65-6500K	02 - Black&White 22AWG		
	S Silver	C Clear	36 36VDC	57.6 W/m	TW	Tunable White - check your executive sales	03 - White PU protected 2 pin		
			48 48VDC	12 W/m	D2W	Dim To Warm - check your executive sales	04 - 3Pin cable for Tunable white		
			10.36 W/m						
			43.2 W/m						

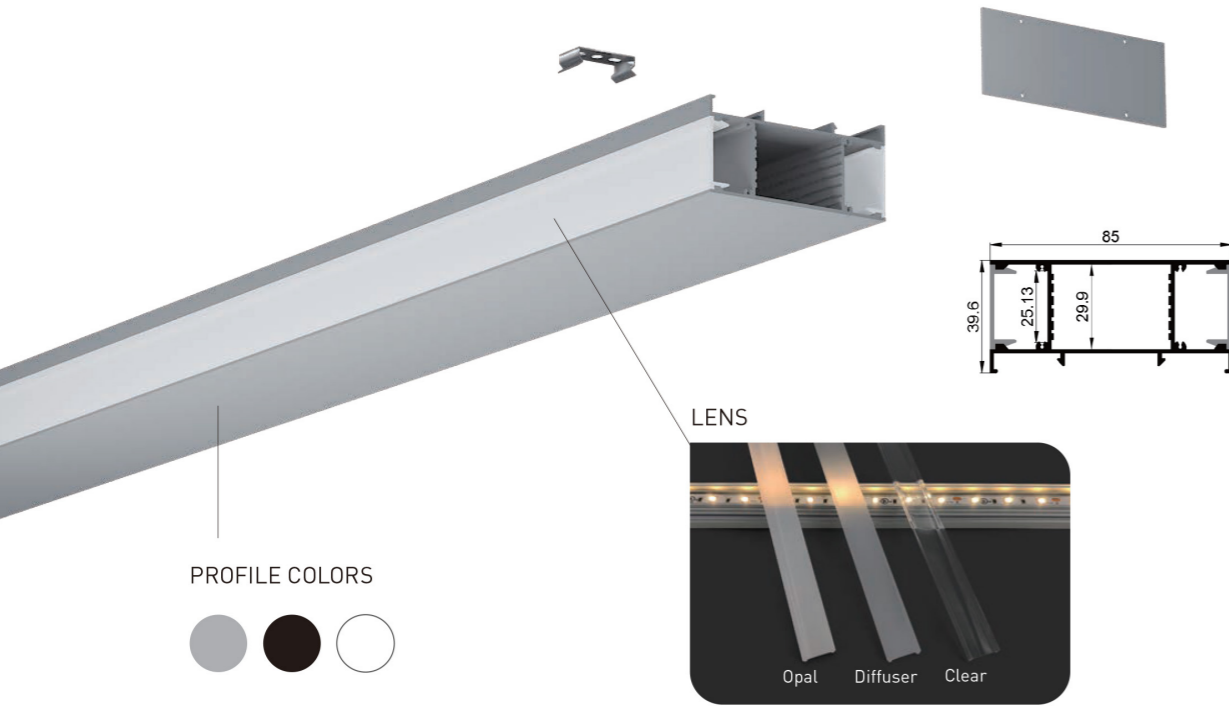
RECOMMEND LIGHT SOURCE

Performance	Part Code	LED QTY	Input Vol.	Power	CRI	Light Source Lumen	Diffuser Lens Lumen	Cutttable length	Max Run	PCB Width
General	FN-H2835T-120	120pcs/m	12/24VDC	28.8 W/m	90+	3024 lm/m	1209 lm/m	12V=50mm 24V=50mm	12V=5m 24V=9m	10 mm
					95+	2564 lm/m	1025 lm/m			
High Efficiency	FN-H2835T-128	128pcs/m	12/24VDC	23.04 W/m	90+	3226 lm/m	1290 lm/m	12V=31.2mm 24V=62.5mm	12V=3m 24V=6m	10 mm
					95+	2950 lm/m	1180 lm/m			
	FN-H28350-160	160pcs/m	24VDC	48 W/m	90+	7728 lm/m	3091 lm/m	50mm	3m	10 mm
					95+	3974 lm/m	1589 lm/m	12V=25mm 24V=50mm	12V=3mm 24V=5mm	10 mm
FN-H2835T-160	160pcs/m	12/24VDC	28.8 W/m	90+	3686 lm/m	1474 lm/m				10 mm
				95+	3686 lm/m	1474 lm/m				
FN-H28350-192	192pcs/m	24VDC	57.6 W/m	90+	9272 lm/m	3708 lm/m	41.7mm	2.5m	10 mm	
				95+	964 lm/m	385 lm/m	100mm	50mm	10 mm	
Long Run	LN-H2835T-80	80pcs/m	36VDC	10.36W/m	90+	1160 lm/m	464 lm/m			10 mm
					95+	2672 lm/m	1068 lm/m	125mm	25mm	10 mm
	LN-H2835T-112	112pcs/m	48VDC	23.04 W/m	90+	2212 lm/m	884 lm/m			10 mm
					95+	1176 lm/m	470 lm/m	50mm	21mm	10 mm
LN-H2835T-120	120pcs/m	24VDC	12 W/m	90+	972 lm/m	388 lm/m			10 mm	
				95+	3844 lm/m	1537 lm/m	16.7mm	3.5mm	10 mm	
Short Cut	FN-F2835A-120	120pcs/m	24VDC	43.2 W/m	90+	3190 lm/m	1276 lm/m			10 mm
					95+	3190 lm/m	1276 lm/m			



WALL MOUNTED SERIES

► SL408525



PROFILE COLORS



Installation: Wall Surface Mounted
 Length Available: 1-3m
 Profile Color: Silver, Black Anodized, White Powder Coating
 Lens: Opal, Diffuser, Clear
 Input Cable: Endcaps, Profile Bottom, Profile Sides
 Quick Female/Male Connectors Input cable & Junction Box available

WALL MOUNTED SERIES

► SL408525

ORDERING CODE

LUMINAIRE	FINISH	LENS	Vol.	Power	Ra	CRI	INSTALL ACCS.	IP GRADE	CONTROL OPTOINS
SL408525	W White	D Diffuser	12 12VDC	28.8 W/m	90 90+	22-2200K , 24-2400K , 25-2500K 27-2700K , 30-3000K , 35-3500K 40-4000K , 50-5000K , 65-6500K	01 - Black&Red 22AWG	A - AMP male/female M - Molex male/female D - DC male/female	E - Through Endcaps B - Through profile end bottom S - Through profile side
	B Black	O Opal	24 24VDC	48 W/m	95 95+	22-2200K , 25-2500K , 27-2700K 30-3000K , 35-3500K , 40-4000K 50-5000K , 65-6500K	02 - Black&White 22AWG		
	S Silver	C Clear	36 36VDC	57.6 W/m	TW	Tunable White - check your executive sales	03 - White PU protected 2 pin		
			48 48VDC	10.36 W/m 12 W/m 43.2 W/m	D2W	Dim To Warm - check your executive sales	04 - 3Pin cable for Tunable white		

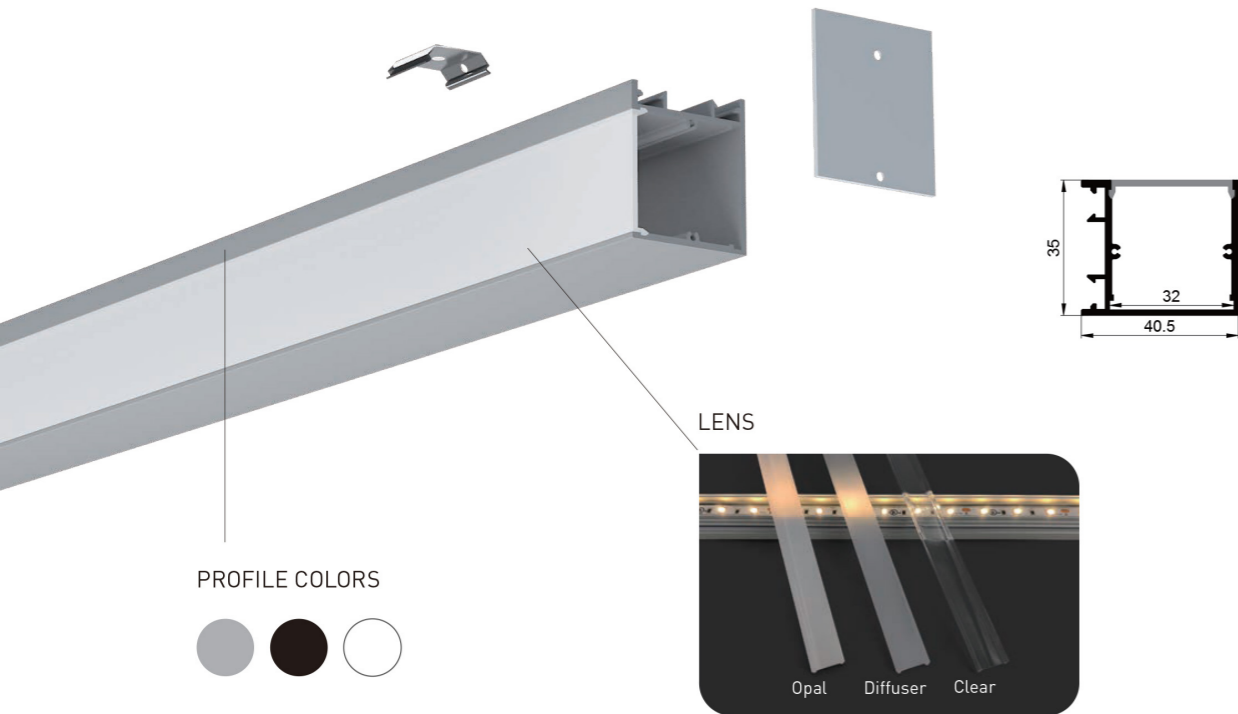
RECOMMEND LIGHT SOURCE

Performance	Part Code	LED QTY	Input Vol.	Power	CRI	Light Source Lumen	Diffuser Lens Lumen	Cutttable length	Max Run	PCB Width
General	FN-H2835T-120	120pcs/m	12/24VDC	28.8 W/m	90+	3024 lm/m	1209 lm/m	12V=50mm 24V=50mm	12V=5m 24V=9m	10 mm
					95+	2564 lm/m	1025 lm/m			
High Efficiency	FN-H2835T-128	128pcs/m	12/24VDC	23.04 W/m	90+	3226 lm/m	1290 lm/m	12V=31.2mm 24V=62.5mm	12V=3m 24V=6m	10 mm
					95+	2950 lm/m	1180 lm/m			
	FN-H28350-160	160pcs/m	24VDC	48 W/m	90+	7728 lm/m	3091 lm/m	50mm	3m	10 mm
	FN-H2835T-160	160pcs/m	12/24VDC	28.8 W/m	90+	3974 lm/m	1589 lm/m	12V=25mm 24V=50mm	12V=3mm 24V=5mm	10 mm
	FN-H28350-192	192pcs/m	24VDC	57.6 W/m	90+	9272 lm/m	3708 lm/m	41.7mm	2.5m	10 mm
Long Run	LN-H2835T-80	80pcs/m	36VDC	10.36W/m	90+	1160 lm/m	464 lm/m	100mm	50mm	10 mm
					95+	964 lm/m	385 lm/m			
	LN-H2835T-112	112pcs/m	48VDC	23.04 W/m	90+	2672 lm/m	1068 lm/m	125mm	25mm	10 mm
	LN-H2835T-120	120pcs/m	24VDC	12 W/m	90+	1176 lm/m	470 lm/m	50mm	21mm	10 mm
95+					972 lm/m	388 lm/m				
Short Cut	FN-F2835A-120	120pcs/m	24VDC	43.2 W/m	90+	3844 lm/m	1537 lm/m	16.7mm	3.5mm	10 mm
					95+	3190 lm/m	1276 lm/m			



WALL MOUNTED SERIES

► SL423532



PROFILE COLORS



Installation: Wall Surface Mounted
 Length Available: 1-3m
 Profile Color: Silver, Black Anodized, White Powder Coating
 Lens: Opal, Diffuser, Clear
 Input Cable: Endcaps, Profile Bottom, Profile Sides
 Quick Female/Male Connectors Input cable & Junction Box available

WALL MOUNTED SERIES

► SL423532

ORDERING CODE

LUMINAIRE	FINISH	LENS	VoL	Power	Ra	CRI	INSTALL ACCS.	IP GRADE	CONTROL OPTOINS	
SL423532	W White	D Diffuser	12 12VDC	14.40W/m	90 90+	22-2200K , 24-2400K , 25-2500K 27-2700K , 30-3000K , 35-3500K 40-4000K , 50-5000K , 65-6500K	01 - Black&Red 22AWG 02 - Black&White 22AWG 03 - White PU protected 2 pin 04 - 3Pin cable for Tunable white	A - AMP male/female M - Molex male/female D - DC male/female	E - Through Endcaps B - Through profile end bottom S - Through profile side	
	B Black	O Opal	24 24VDC	7.68W/m						
	S Silver	C Clear	36 36VDC	2.40W/m	95 95+	22-2200K , 25-2500K , 27-2700K 30-3000K , 35-3500K , 40-4000K 50-5000K , 65-6500K				
			48 48VDC	5.76W/m						
					11.52W/m	TW				Tunable White - check your executive sales
					24.00W/m	D2W				Dim To Warm - check your executive sales
					28.80W/m					
					5.18W/m					
					6.00W/m					
					21.60W/m					

RECOMMEND LIGHT SOURCE

Performance	Part Code	LED QTY	Input Vol.	Power	CRI	Light Source Lumen	Diffuser Lens Lumen	Cutttable Length	Max Run	PCB Width
General	FN-2835T-60	60pcs/m	12/24VDC	14.40 W/m	90+	1440 lm/m	648 lm/m	12V=50mm 24V=100mm	12V=5m 24V=9m	10 mm
					95+	1238 lm/m	557 lm/m			
High Efficiency	FN-H2835T-64	64pcs/m	24VDC	7.68 W/m	90+	1029 lm/m	463 lm/m	125mm	5m	10 mm
					95+	968 lm/m	436 lm/m			
Long Run	FN-H2835O-80	80pcs/m	24VDC	14.40W/m	90+	2275 lm/m	1024 lm/m	100mm	4m	10 mm
					95+	499 lm/m	225 lm/m			
	LN-2835T-60	60pcs/m	24VDC	5.04 W/m	90+	413 lm/m	186 lm/m	100mm	21m	10mm
					95+	230 lm/m	104 lm/m			
	LN-2835T-56	56pcs/m	48VDC	5.76 W/m	90+	190 lm/m	86 lm/m	100mm	50mm	10 mm
					95+	668 lm/m	301 lm/m			
Short Cut	FN-F2835A-60	60pcs/m	24VDC	14.4 W/m	90+	553 lm/m	249 lm/m	250mm	35mm	10 mm
					95+	1239 lm/m	531 lm/m			
					90+	1239 lm/m	531 lm/m	33.3mm	5.5mm	10 mm
					95+	979lm/m	441 lm/m			