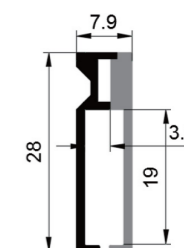
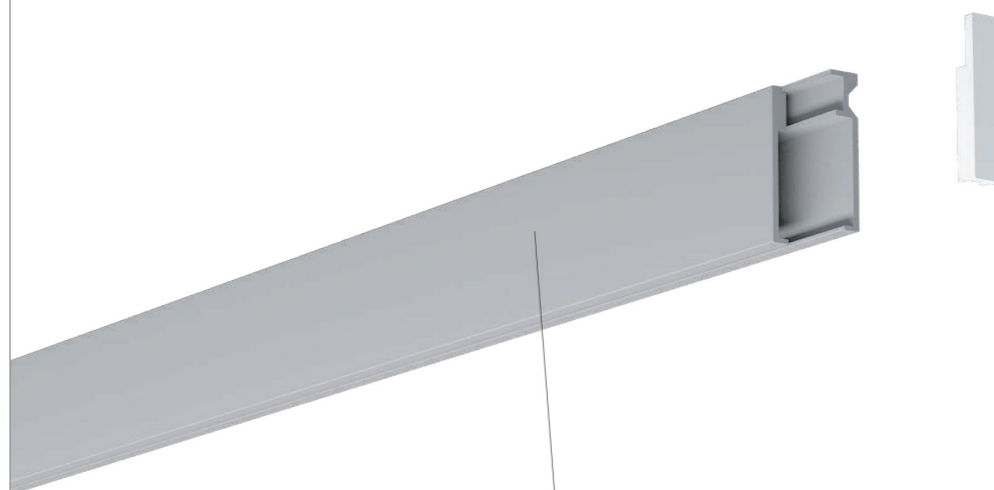
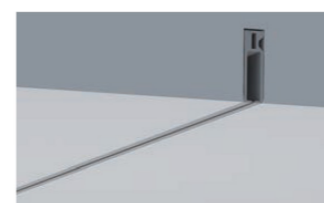


SKIRTING SERIES

▶ SL082819



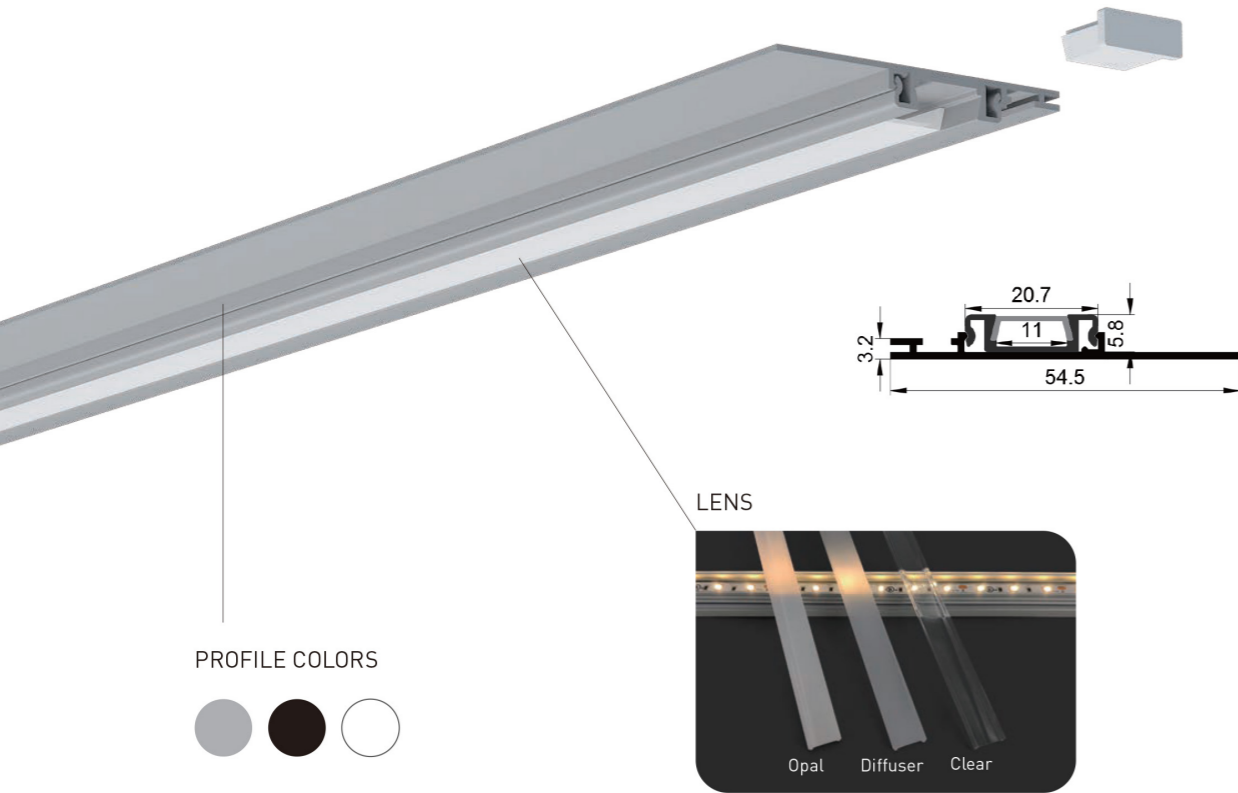
PROFILE COLORS



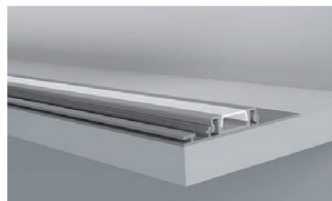
Installation: Skirting Surface Mounted
Length Available: 1-3m
Profile Color: Silver, Black Anodized, White Powder Coating
Lens: Opal, Diffuser, Clear
Input Cable: Endcaps, Profile Bottom, Profile Sides
Quick Female/Male Connectors Input cable & Junction Box available

SKIRTING SERIES

► SL540511



PROFILE COLORS



Installation: Skirting Surface Mounted
 Length Available: 1-3m
 Profile Color: Silver, Black Anodized, White Powder Coating
 Lens: Opal, Diffuser, Clear
 Input Cable: Endcaps, Profile Bottom, Profile Sides
 Quick Female/Male Connectors Input cable & Junction Box available

SKIRTING SERIES

► SL540511

ORDERING CODE

LUMINAIRE	FINISH	LENS	Vol.	Power	Ra	CRI	INSTALL ACCS.	IP GRADE	CONTROL OPTOINS
SL540511	W White B Black S Silver	D Diffuser O Opal C Clear	24 24VDC	16.42W±10%	90 90+	22-2200K , 24-2400K 25-2500K , 27-2700K 30-3000K , 35-3500K 40-4000K , 50-5000K 65-6500K	01 - Black&Red 22AWG 02 - Black&White 22AWG 03 - White PU protected 2 pin 04 - 3Pin cable for Tunable white	A - AMP male/female M - Molex male/female D - DC male/female	E - Through Endcaps B - Through profile end bottom S - Through profile side
					TW	Tunable White - check your executive sales			
					D2W	Dim To Warm - check your executive sales			

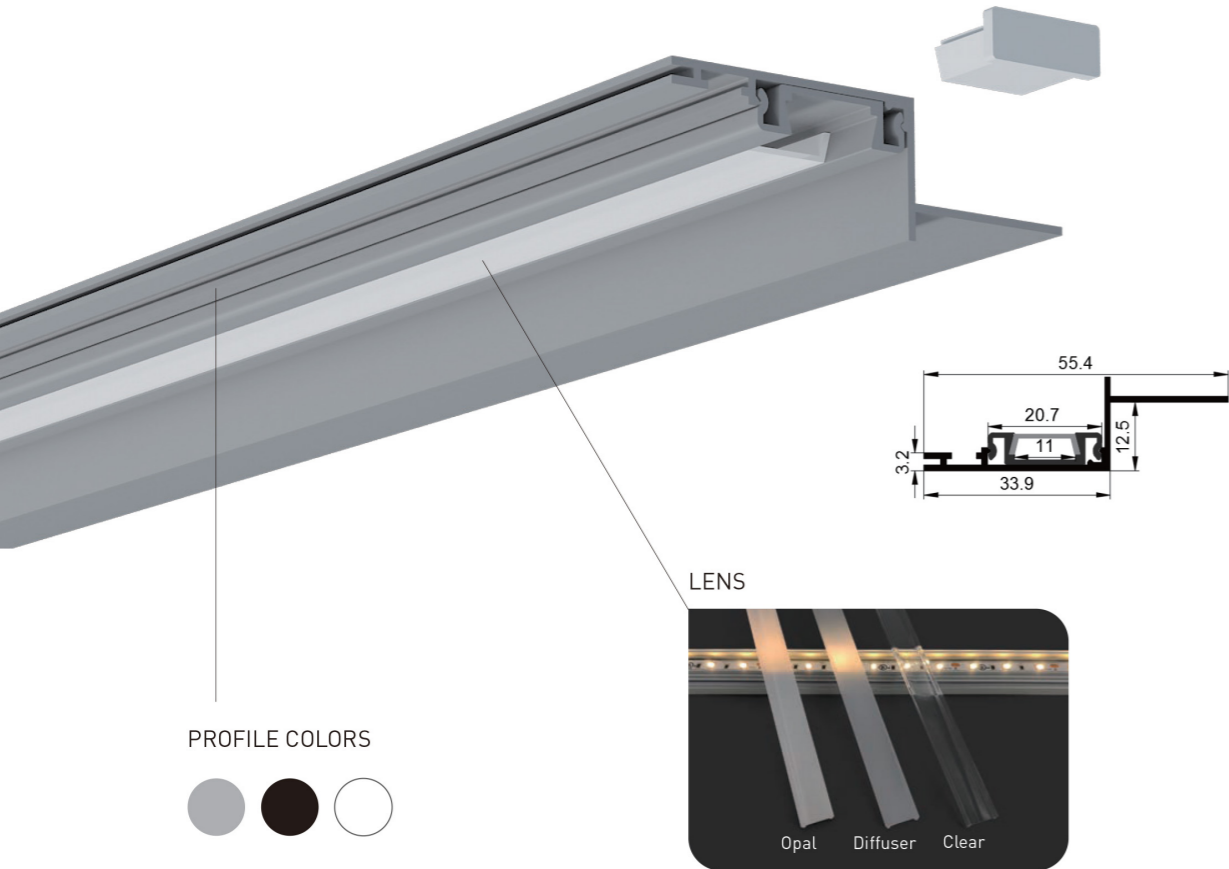
RECOMMEND LIGHT SOURCE

Performance	Part Code	LED QTY	Input Vol.	Power	CRI	Light Source Lumen	Diffuser Lens Lumen	Cutttable length	Max Run	PCB Width
General	FN-2016-266	266pcs/m	24VDC	16.42W ± 10%	90+	1700 lm/m	765 lm/m	26.3mm	3M	10mm



SKIRTING SERIES

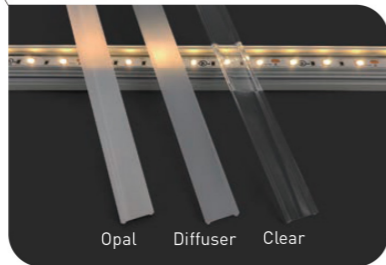
► SL5405B11



PROFILE COLORS



LENS



Installation: Skirting Surface Mounted
 Length Available: 1-3m
 Profile Color: Silver, Black Anodized, White Powder Coating
 Lens: Opal, Diffuser, Clear
 Input Cable: Endcaps, Profile Bottom, Profile Sides
 Quick Female/Male Connectors Input cable & Junction Box available

SKIRTING SERIES

► SL5405B11

ORDERING CODE

LUMINAIRE	FINISH	LENS	Vol.	Power	Ra	CRI	INSTALL ACCS.	IP GRADE	CONTROL OPTOINS
SL5405B11	W White	D Diffuser	24 24VDC	16.42W±10%	90 90+	22-2200K , 24-2400K 25-2500K , 27-2700K 30-3000K , 35-3500K 40-4000K , 50-5000K 65-6500K	01 - Black&Red 22AWG	A - AMP male/female	E - Through Endcaps
	B Black	O Opal					02 - Black&White 22AWG	M - Molex male/female	B - Through profile end bottom
	S Silver	C Clear				TW Tunable White - check your executive sales	03 - White PU protected 2 pin	D - DC male/female	S - Through profile side
						D2W Dim To Warm - check your executive sales	04 - 3Pin cable for Tunable white		

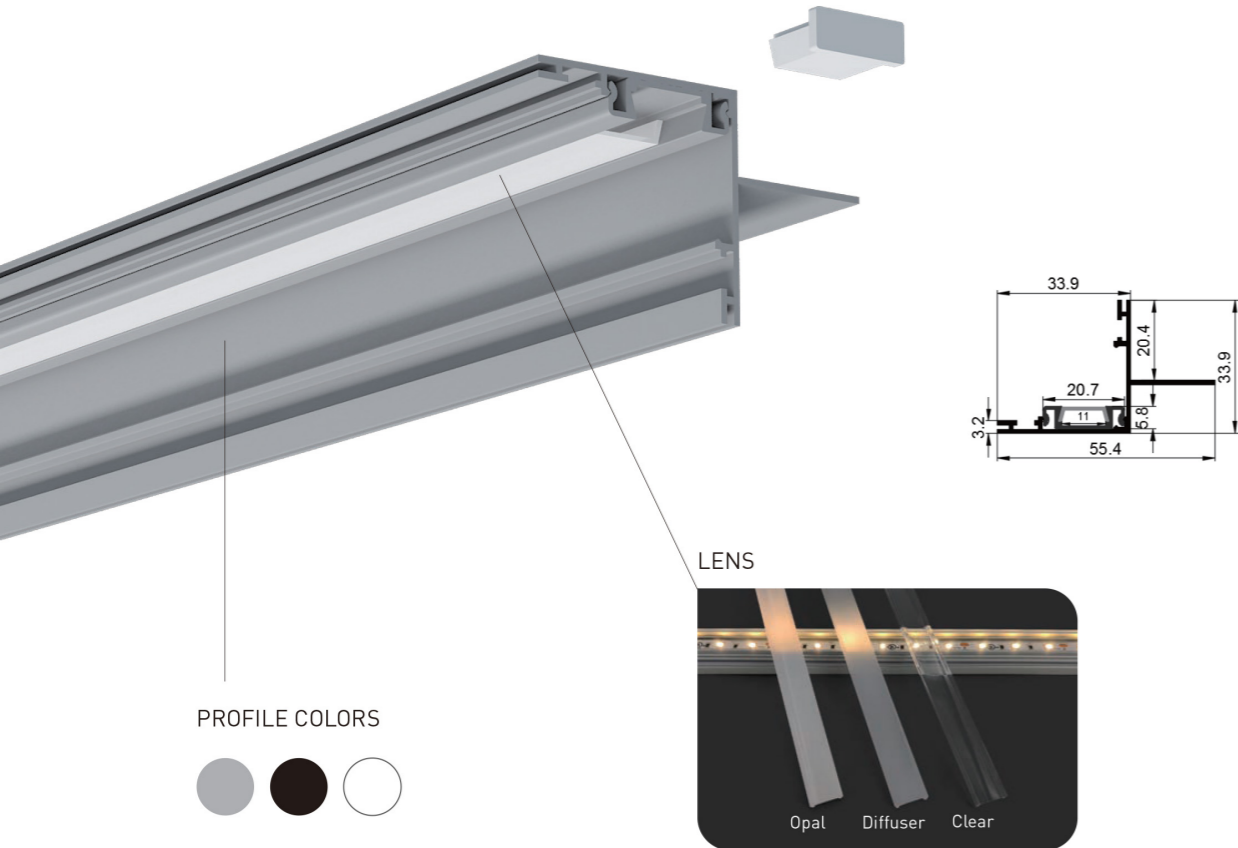
RECOMMEND LIGHT SOURCE

Performance	Part Code	LED QTY	Input Vol.	Power	CRI	Light Source Lumen	Diffuser Lens Lumen	Cutttable length	Max Run	PCB Width
General	FN-2016-266	266pcs/m	24VDC	16.42W ± 10%	90+	1700 lm/m	765 lm/m	26.3mm	3M	10mm



SKIRTING SERIES

► SL5405C11



Installation: Skirting Surface Mounted
 Length Available: 1-3m
 Profile Color: Silver, Black Anodized, White Powder Coating
 Lens: Opal, Diffuser, Clear
 Input Cable: Endcaps, Profile Bottom, Profile Sides
 Quick Female/Male Connectors Input cable & Junction Box available

SKIRTING SERIES

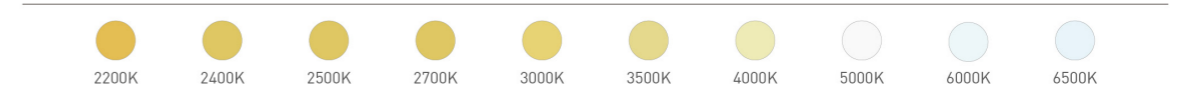
► SL5405C11

ORDERING CODE

LUMINAIRE	FINISH	LENS	Vol.	Power	Ra	CRI	INSTALL ACCS.	IP GRADE	CONTROL OPTOINS
SL5405C11	W White B Black S Silver	D Diffuser O Opal C Clear	24 24VDC	16.42W±10%	90 90+	22-2200K , 24-2400K 25-2500K , 27-2700K 30-3000K , 35-3500K 40-4000K , 50-5000K 65-6500K	01 - Black&Red 22AWG 02 - Black&White 22AWG 03 - White PU protected 2 pin 04 - 3Pin cable for Tunable white	A - AMP male/female M - Molex male/female D - DC male/female	E - Through Endcaps B - Through profile end bottom S - Through profile side
					TW	Tunable White - check your executive sales			
					D2W	Dim To Warm - check your executive sales			

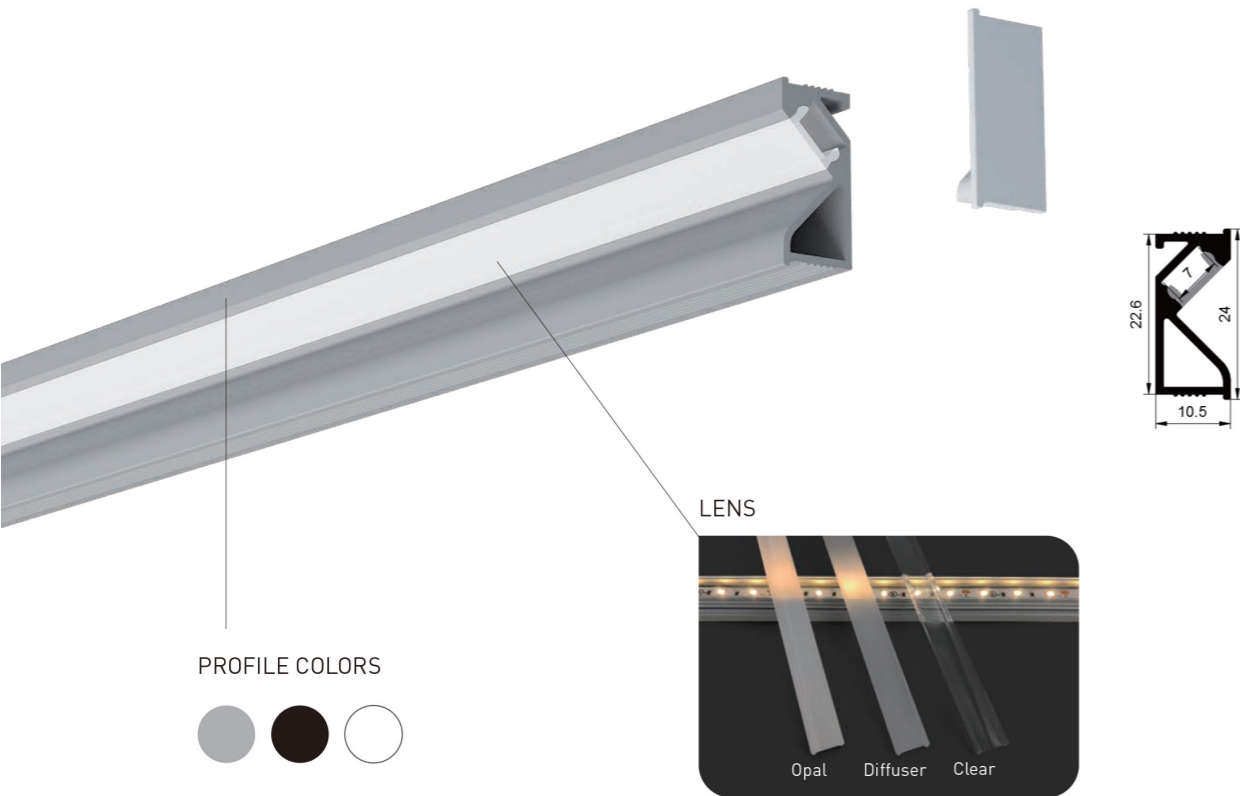
RECOMMEND LIGHT SOURCE

Performance	Part Code	LED QTY	Input Vol.	Power	CRI	Light Source Lumen	Diffuser Lens Lumen	Cutttable length	Max Run	PCB Width
General	FN-2016-266	266pcs/m	24VDC	16.42W ± 10%	90+	1700 lm/m	765 lm/m	26.3mm	3M	10mm



SKIRTING SERIES

► SL241107



PROFILE COLORS



Installation: Skirting Surface Mounted
 Length Available: 1-3m
 Profile Color: Silver, Black Anodized, White Powder Coating
 Lens: Opal, Diffuser, Clear
 Input Cable: Endcaps, Profile Bottom, Profile Sides
 Quick Female/Male Connectors Input cable & Junction Box available

SKIRTING SERIES

► SL241107

ORDERING CODE

LUMINAIRE	FINISH	LENS	VoL	Power	Ra	CRI	INSTALL ACCS.	IP GRADE	CONTROL OPTOINS
SL241107	W White	D Diffuser	12 12VDC	4.8W/m	90 90+	22-2200K, 24-2400K, 25-2500K 27-2700K, 30-3000K, 35-3500K 40-4000K, 50-5000K, 65-6500K	01 - Black&Red 22AWG	A - AMP male/female M - Molex male/female D - DC male/female	E - Through Endcaps B - Through profile end bottom S - Through profile side
	B Black	O Opal	24 24VDC	9.6W/m	95 95+	22-2200K, 25-2500K, 27-2700K 30-3000K, 35-3500K, 40-4000K 50-5000K, 65-6500K	02 - Black&White 22AWG		
	S Silver	C Clear		12.24W/m			03 - White PU protected 2 pin		
				28.8W/m			04 - 3Pin cable for Tunable white		
					TW	Tunable White - check your executive sales			
					D2W	Dim To Warm - check your executive sales			

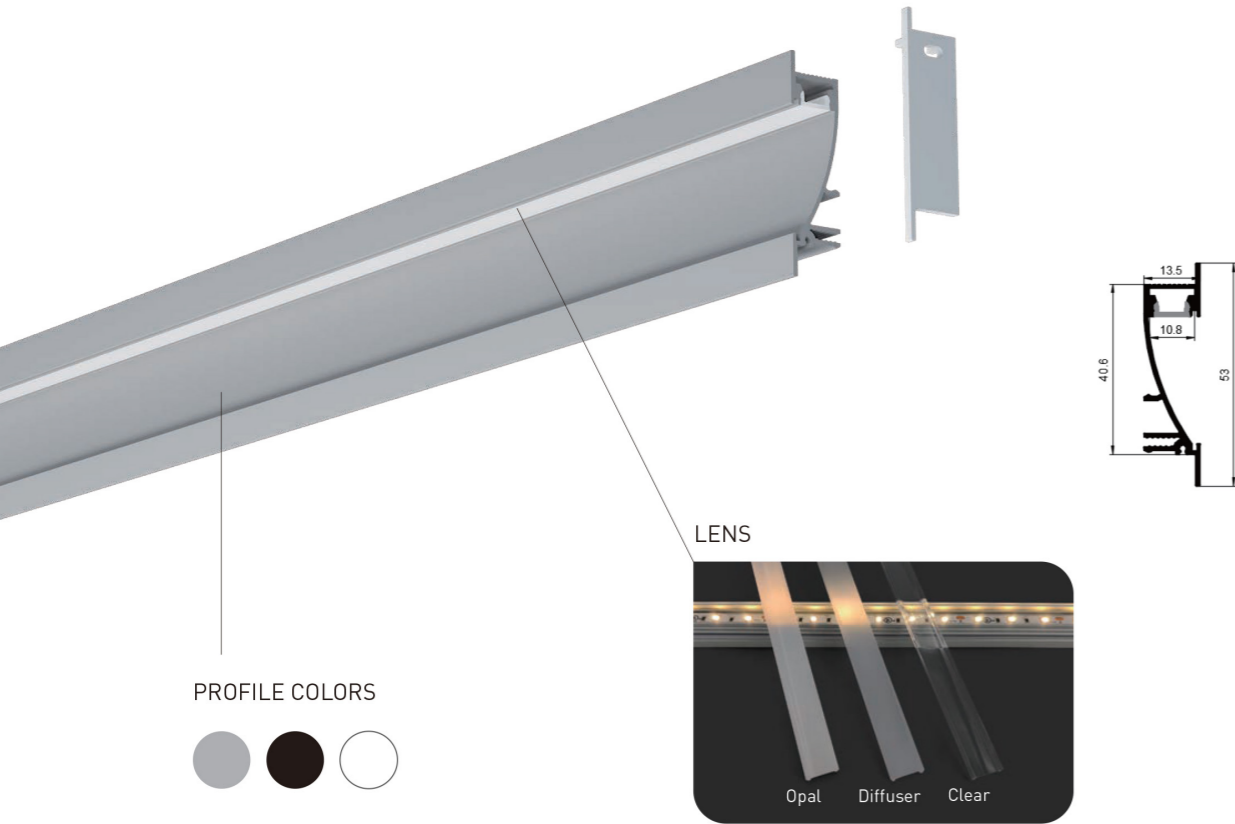
RECOMMEND LIGHT SOURCE

Performance	Part Code	LED QTY	Input Vol.	Power	CRI	Light Source Lumen	Diffuser Lens Lumen	Cuttable Length	Max Run	PCB Width
General	FN-H2835T-120	120pcs/m	12/24VDC	14.40 W/m	90+	1512 lm/m	605 lm/m	12V=50mm 24V=50mm	12V=5m 24V=9m	10 mm
					95+	1282 lm/m	513 lm/m			
High Efficiency	FN-H2835T-128	128pcs/m	12/24VDC	11.52 W/m	90+	1613 lm/m	645 lm/m	12V=31.2mm 24V=62.5mm	12V=3m 24V=6m	10 mm
					95+	1475 lm/m	590 lm/m			
	FN-H28350-160	160pcs/m	24VDC	24 W/m	90+	3480 lm/m	1546 lm/m	50mm	3m	10 mm
					95+	1843 lm/m	737 lm/m			
Long Run	LN-H2835T-80	80pcs/m	36VDC	5.18W/m	90+	580 lm/m	232 lm/m	100mm	50mm	10 mm
					95+	482 lm/m	193 lm/m			
	LN-H2835T-112	112pcs/m	48VDC	11.52 W/m	90+	1336 lm/m	534 lm/m	125mm	25mm	10 mm
					95+	1106 lm/m	442 lm/m			
	LN-H2835T-120	120pcs/m	24VDC	6.00 W/m	90+	588 lm/m	235 lm/m	50mm	21mm	10 mm
					95+	486 lm/m	194 lm/m			
Short Cut	FN-F2835A-120	120pcs/m	24VDC	21.60 W/m	90+	1922 lm/m	769 lm/m	16.7mm	3.5mm	10 mm
					95+	1595 lm/m	638 lm/m			



SKIRTING SERIES

► SL531310



Installation: Skirting Surface Mounted
 Length Available: 1-3m
 Profile Color: Silver, Black Anodized, White Powder Coating
 Lens: Opal, Diffuser, Clear
 Input Cable: Endcaps, Profile Bottom, Profile Sides
 Quick Female/Male Connectors Input cable & Junction Box available

SKIRTING SERIES

► SL531310

ORDERING CODE

LUMINAIRE	FINISH	LENS	Vol.	Power	Ra	CRI	INSTALL ACCS.	IP GRADE	CONTROL OPTOINS
SL531310	W White	D Diffuser	12 12VDC	14.40W/m	90 90+	22-2200K, 24-2400K, 25-2500K 27-2700K, 30-3000K, 35-3500K 40-4000K, 50-5000K, 65-6500K	01 - Black&Red 22AWG	A - AMP male/female	E - Through Endcaps
			24 24VDC	7.68W/m					
	B Black	O Opal	24 24VDC	5.04W/m	95 95+	22-2200K, 25-2500K, 27-2700K 30-3000K, 35-3500K, 40-4000K 50-5000K, 65-6500K	02 - Black&White 22AWG	M - Molex male/female	B - Through profile end bottom
			36 36VDC	2.40W/m					
	S Silver	C Clear	48 48VDC	5.76W/m	TW	Tunable White - check your executive sales	03 - White PU protected 2 pin	D - DC male/female	S - Through profile side
			48 48VDC	11.52W/m					
				24.00W/m	D2W	Dim To Warm - check your executive sales	04 - 3Pin cable for Tunable white		
				28.80W/m					
				5.18W/m					
				6.00W/m					
			21.60W/m						

RECOMMEND LIGHT SOURCE

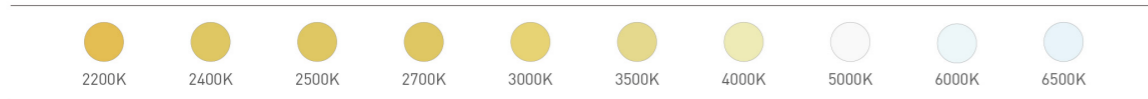
Performance	Part Code	LED QTY	Input Vol.	Power	CRI	Light Source Lumen	Diffuser Lens Lumen	Cutttable length	Max Run	PCB Width
General	FN-2835T-60	60pcs/m	12/24VDC	14.40 W/m	90+	1440 lm/m	576 lm/m	12V=50mm 24V=100mm	12V=5m 24V=9m	10 mm
					95+	1238 lm/m	495 lm/m			
High Efficiency	FN-H2835T-64	64pcs/m	24VDC	7.68 W/m	90+	1029 lm/m	412 lm/m	125mm	5m	10 mm
					95+	968 lm/m	387 lm/m			
	FN-H28350-80	80pcs/m	24VDC	14.40W/m	90+	2275 lm/m	910 lm/m	100mm	4m	10 mm
					95+	499 lm/m	200 lm/m			
Long Run	LN-2835T-60	60pcs/m	24VDC	5.04 W/m	90+	413 lm/m	165 lm/m	100mm	21m	10mm
					95+	230 lm/m	92 lm/m			
				2.4 W/m	90+	190 lm/m	76 lm/m	100mm	50mm	10 mm
					95+	668 lm/m	267 lm/m			
	LN-2835T-56	56pcs/m	48VDC	5.76 W/m	90+	553 lm/m	221 lm/m	250mm	35mm	10 mm
					95+	1239 lm/m	472 lm/m			
Short Cut	FN-F2835A-60	60pcs/m	24VDC	14.4 W/m	90+	979lm/m	392 lm/m	33.3mm	5.5mm	10 mm
					95+					

SKIRTING SERIES

► SL531310

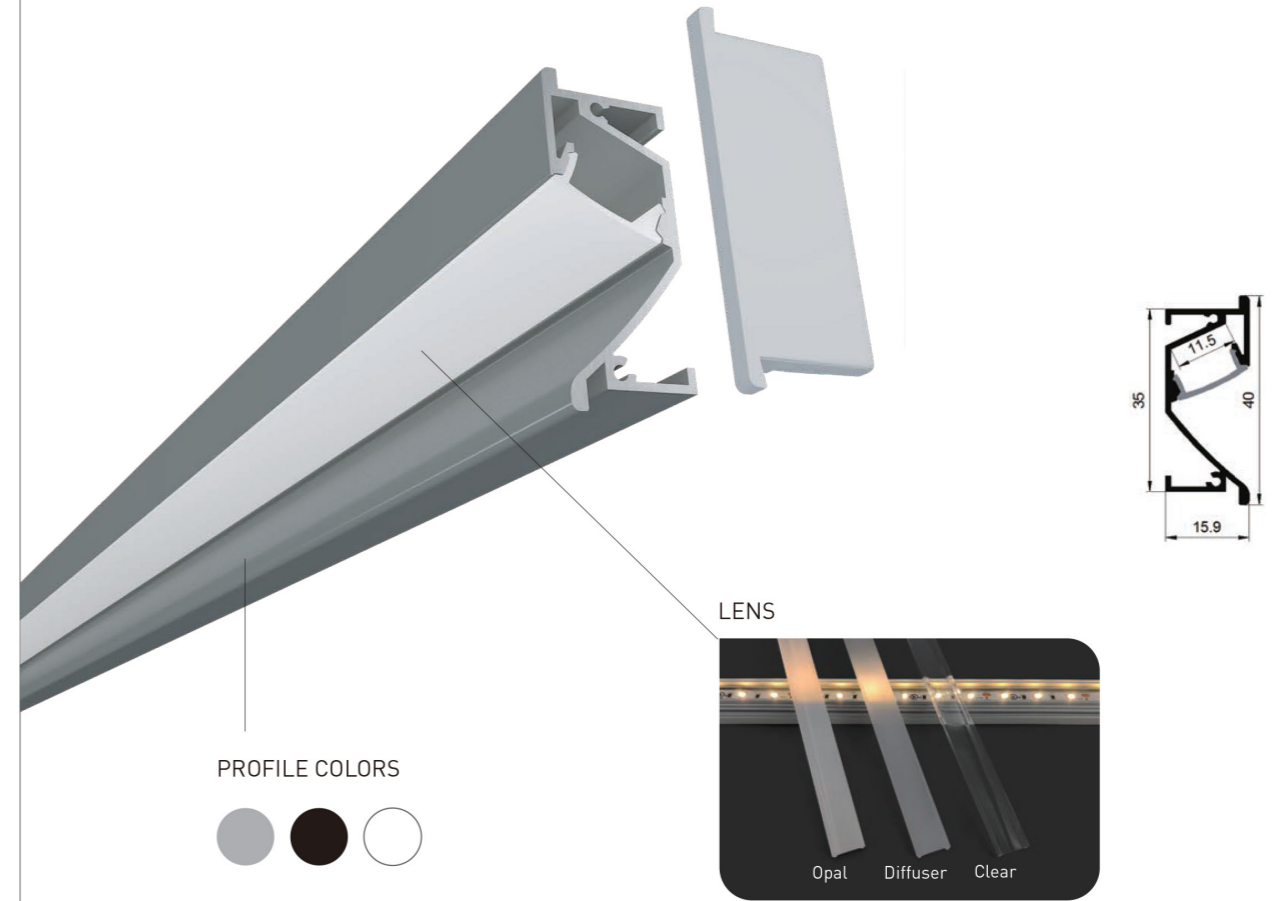
RECOMMEND LIGHT SOURCE

Performance	Part Code	LED QTY	Input Vol.	Power	CRI	Light Source Lumen	Diffuser Lens Lumen	Cutable Length	Max Run	PCB Width
General	FN-H2835T-120	120pcs/m	12/24VDC	14.40 W/m	90+	1512 lm/m	605 lm/m	12V=50mm 24V=50mm	12V=5m 24V=9m	10 mm
					95+	1282 lm/m	513 lm/m			
High Efficiency	FN-H2835T-128	128pcs/m	12/24VDC	11.52 W/m	90+	1613 lm/m	645 lm/m	12V=31.2mm 24V=62.5mm	12V=3m 24V=6m	10 mm
	FN-H2835T-128	128pcs/m	12/24VDC	11.52 W/m	95+	1475 lm/m	590 lm/m			
	FN-H28350-160	160pcs/m	24VDC	24 W/m	90+	3480 lm/m	1546 lm/m	50mm	3m	10 mm
	FN-H2835T-160	160pcs/m	12/24VDC	14.40 W/m	90+	1987 lm/m	795 lm/m	12V=25mm 24V=50mm	12V=3mm 24V=5mm	10 mm
Long Run	FN-H28350-192	192pcs/m	24VDC	28.8 W/m	90+	4176 lm/m	1854 lm/m	41.7mm	2.5m	10 mm
	LN-H2835T-80	80pcs/m	36VDC	5.18W/m	90+	580 lm/m	232 lm/m	100mm	50mm	10 mm
Short Cut	LN-H2835T-112	112pcs/m	48VDC	11.52 W/m	90+	1336 lm/m	534 lm/m	125mm	25mm	10 mm
					95+	1106 lm/m	442 lm/m			
	LN-H2835T-120	120pcs/m	24VDC	6.00 W/m	90+	588 lm/m	235 lm/m	50mm	21mm	10 mm
					95+	486 lm/m	194 lm/m			
Short Cut	FN-F2835A-120	120pcs/m	24VDC	21.60 W/m	90+	1922 lm/m	769 lm/m	16.7mm	3.5mm	10 mm
					95+	1595 lm/m	638 lm/m			



SKIRTING SERIES

► SL401611



Installation: Skirting Surface Mounted
 Length Available: 1-3m
 Profile Color: Silver, Black Anodized, White Powder Coating
 Lens: Opal, Diffuser, Clear
 Input Cable: Endcaps, Profile Bottom, Profile Sides
 Quick Female/Male Connectors Input cable & Junction Box available

SKIRTING SERIES

► SL401611

ORDERING CODE

LUMINAIRE	FINISH	LENS	VoL	Power	Ra	CRI	INSTALL ACCS.	IP GRADE	CONTROL OPTOINS
SL401611	W White	D Diffuser	12 12VDC	14.40W/m	90 90+	22-2200K , 24-2400K , 25-2500K 27-2700K , 30-3000K , 35-3500K 40-4000K , 50-5000K , 65-6500K	01 - Black&Red 22AWG 02 - Black&White 22AWG 03 - White PU protected 2 pin 04 - 3Pin cable for Tunable white	A - AMP male/female M - Molex male/female D - DC male/female	E - Through Endcaps
			24 24VDC	7.68W/m					
	B Black	O Opal	36 36VDC	5.04W/m	95 95+	22-2200K , 25-2500K , 27-2700K 30-3000K , 35-3500K , 40-4000K 50-5000K , 65-6500K			
			48 48VDC	2.40W/m					
	S Silver	C Clear	48 48VDC	5.76W/m	TW	Tunable White - check your executive sales			
			24.00W/m						
			28.80W/m		D2W	Dim To Warm - check your executive sales			
			5.18W/m						
			6.00W/m						
			21.60W/m						

RECOMMEND LIGHT SOURCE

Performance	Part Code	LED QTY	Input Vol.	Power	CRI	Light Source Lumen	Diffuser Lens Lumen	Cutttable Length	Max Run	PCB Width
General	FN-2835T-60	60pcs/m	12/24VDC	14.40 W/m	90+	1440 lm/m	576 lm/m	12V=50mm 24V=100mm	12V=5m 24V=9m	10 mm
					95+	1238 lm/m	495 lm/m			
High Efficiency	FN-H2835T-64	64pcs/m	24VDC	7.68 W/m	90+	1029 lm/m	412 lm/m	125mm	5m	10 mm
					95+	968 lm/m	387 lm/m			
	FN-H2835O-80	80pcs/m	24VDC	14.40W/m	90+	2275 lm/m	910 lm/m	100mm	4m	10 mm
Long Run	LN-2835T-60	60pcs/m	24VDC	5.04 W/m	90+	499 lm/m	200 lm/m	100mm	21m	10mm
					95+	413 lm/m	165 lm/m			
				2.4 W/m	90+	230 lm/m	92 lm/m	100mm	50mm	10 mm
					95+	190 lm/m	76 lm/m			
	LN-2835T-56	56pcs/m	48VDC	5.76 W/m	90+	668 lm/m	267 lm/m	250mm	35mm	10 mm
					95+	553 lm/m	221 lm/m			
Short Cut	FN-F2835A-60	60pcs/m	24VDC	14.4 W/m	90+	1239 lm/m	472 lm/m	33.3mm	5.5mm	10 mm
					95+	979lm/m	392 lm/m			

SKIRTING SERIES

► SL401611

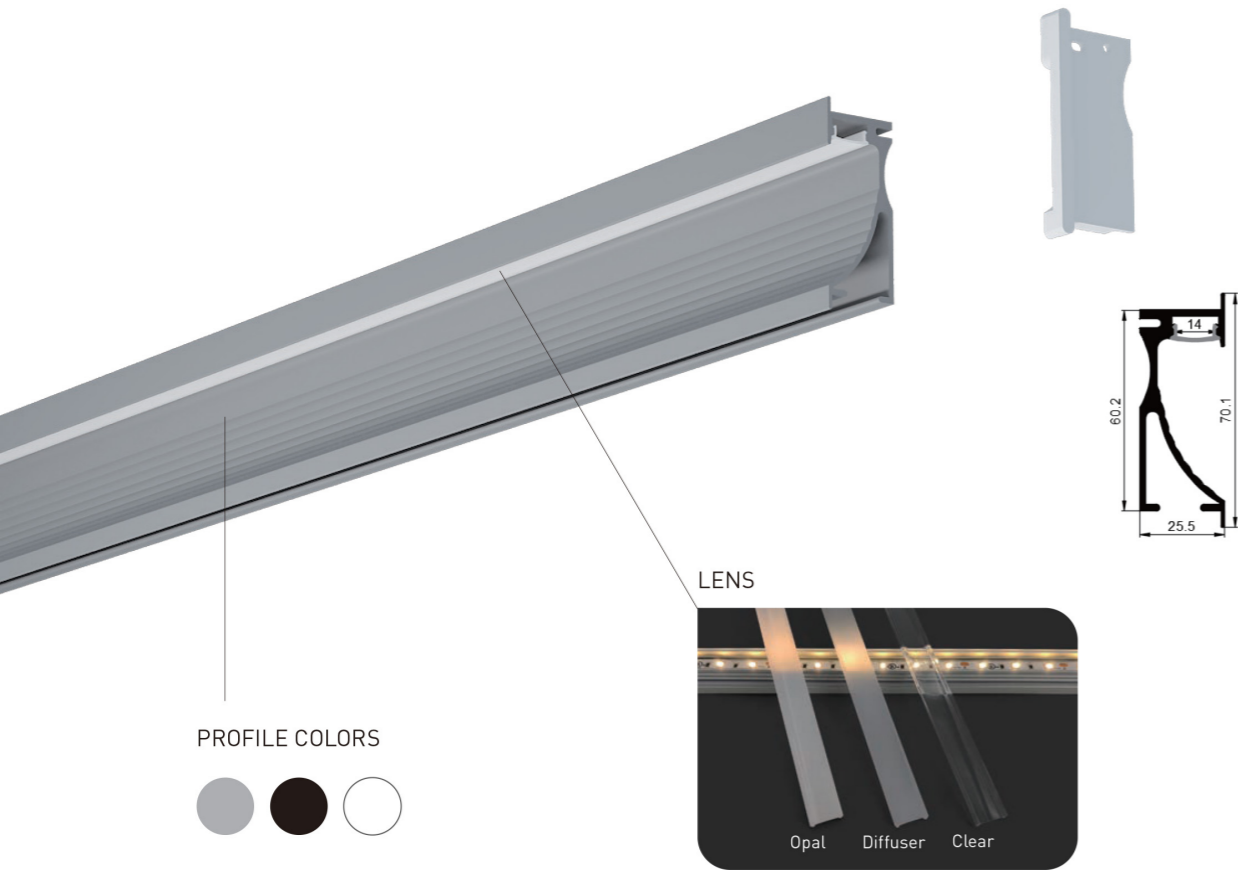
RECOMMEND LIGHT SOURCE

Performance	Part Code	LED QTY	Input Vol.	Power	CRI	Light Source Lumen	Diffuser Lens Lumen	Cutttable length	Max Run	PCB Width
General	FN-H2835T-120	120pcs/m	12/24VDC	14.40 W/m	90+	1512 lm/m	605 lm/m	12V=50mm 24V=50mm	12V=5m 24V=9m	10 mm
					95+	1282 lm/m	513 lm/m			
High Efficiency	FN-H2835T-128	128pcs/m	12/24VDC	11.52 W/m	90+	1613 lm/m	645 lm/m	12V=31.2mm 24V=62.5mm	12V=3m 24V=6m	10 mm
					95+	1475 lm/m	590 lm/m			
	FN-H2835O-160	160pcs/m	24VDC	24 W/m	90+	3480 lm/m	1546 lm/m	50mm	3m	10 mm
					95+	1987 lm/m	795 lm/m			
FN-H2835T-160	160pcs/m	12/24VDC	14.40 W/m	90+	1843 lm/m	737 lm/m	12V=25mm 24V=50mm	12V=3mm 24V=5mm	10 mm	
				95+	1843 lm/m	737 lm/m				
FN-H2835O-192	192pcs/m	24VDC	28.8 W/m	90+	4176 lm/m	1854 lm/m	41.7mm	2.5m	10 mm	
				95+	4176 lm/m	1854 lm/m				
Long Run	LN-H2835T-80	80pcs/m	36VDC	5.18W/m	90+	580 lm/m	232 lm/m	100mm	50mm	10 mm
					95+	482 lm/m	193 lm/m			
	LN-H2835T-112	112pcs/m	48VDC	11.52 W/m	90+	1336 lm/m	534 lm/m	125mm	25mm	10 mm
					95+	1106 lm/m	442 lm/m			
LN-H2835T-120	120pcs/m	24VDC	6.00 W/m	90+	588 lm/m	235 lm/m	50mm	21mm	10 mm	
				95+	486 lm/m	194 lm/m				
Short Cut	FN-F2835A-120	120pcs/m	24VDC	21.60 W/m	90+	1922 lm/m	769 lm/m	16.7mm	3.5mm	10 mm
					95+	1595 lm/m	638 lm/m			

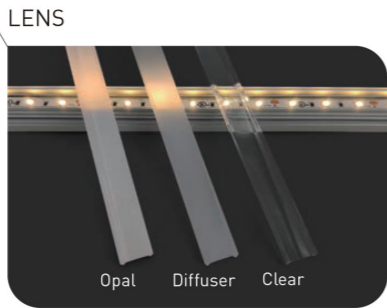


SKIRTING SERIES

► SL702614



PROFILE COLORS



Installation: Skirting Surface Mounted
 Length Available: 1-3m
 Profile Color: Silver, Black Anodized, White Powder Coating
 Lens: Opal, Diffuser, Clear
 Input Cable: Endcaps, Profile Bottom, Profile Sides
 Quick Female/Male Connectors Input cable & Junction Box available

SKIRTING SERIES

► SL702614

ORDERING CODE

LUMINAIRE	FINISH	LENS	VoL	Power	Ra	CRI	INSTALL ACCS.	IP GRADE	CONTROL OPTOINS
SL702614	W White	D Diffuser	12 12VDC	14.40W/m	90 90+	22-2200K , 24-2400K , 25-2500K 27-2700K , 30-3000K , 35-3500K 40-4000K , 50-5000K , 65-6500K	01 - Black&Red 22AWG 02 - Black&White 22AWG 03 - White PU protected 2 pin 04 - 3Pin cable for Tunable white	A - AMP male/female M - Molex male/female D - DC male/female	E - Through Endcaps B - Through profile end bottom S - Through profile side
			24 24VDC	7.68W/m					
	B Black	O Opal	24 24VDC	5.04W/m	95 95+	22-2200K , 25-2500K , 27-2700K 30-3000K , 35-3500K , 40-4000K 50-5000K , 65-6500K			
			36 36VDC	2.40W/m					
	S Silver	C Clear	48 48VDC	5.76W/m	TW	Tunable White - check your executive sales			
			24.00W/m	28.80W/m					
				5.18W/m	D2W	Dim To Warm - check your executive sales			
				6.00W/m					
				21.60W/m					

RECOMMEND LIGHT SOURCE

Performance	Part Code	LED QTY	Input Vol.	Power	CRI	Light Source Lumen	Diffuser Lens Lumen	Cutttable length	Max Run	PCB Width
General	FN-2835T-60	60pcs/m	12/24VDC	14.40 W/m	90+	1440 lm/m	576 lm/m	12V=50mm 24V=100mm	12V=5m 24V=9m	10 mm
					95+	1238 lm/m	495 lm/m			
High Efficiency	FN-H2835T-64	64pcs/m	24VDC	7.68 W/m	90+	1029 lm/m	412 lm/m	125mm	5m	10 mm
					95+	968 lm/m	387 lm/m			
Long Run	FN-H2835O-80	80pcs/m	24VDC	14.40W/m	90+	2275 lm/m	910 lm/m	100mm	4m	10 mm
					95+	499 lm/m	200 lm/m			
	LN-2835T-60	60pcs/m	24VDC	5.04 W/m	90+	413 lm/m	165 lm/m	100mm	21m	10mm
					95+	230 lm/m	92 lm/m			
	LN-2835T-56	56pcs/m	48VDC	5.76 W/m	90+	190 lm/m	76 lm/m	100mm	50mm	10 mm
					95+	668 lm/m	267 lm/m			
Short Cut	FN-F2835A-60	60pcs/m	24VDC	14.4 W/m	90+	1239 lm/m	472 lm/m	33.3mm	5.5mm	10 mm
					95+	553 lm/m	221 lm/m			

SKIRTING SERIES

► SL702614

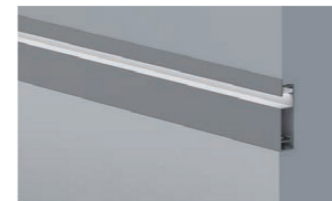
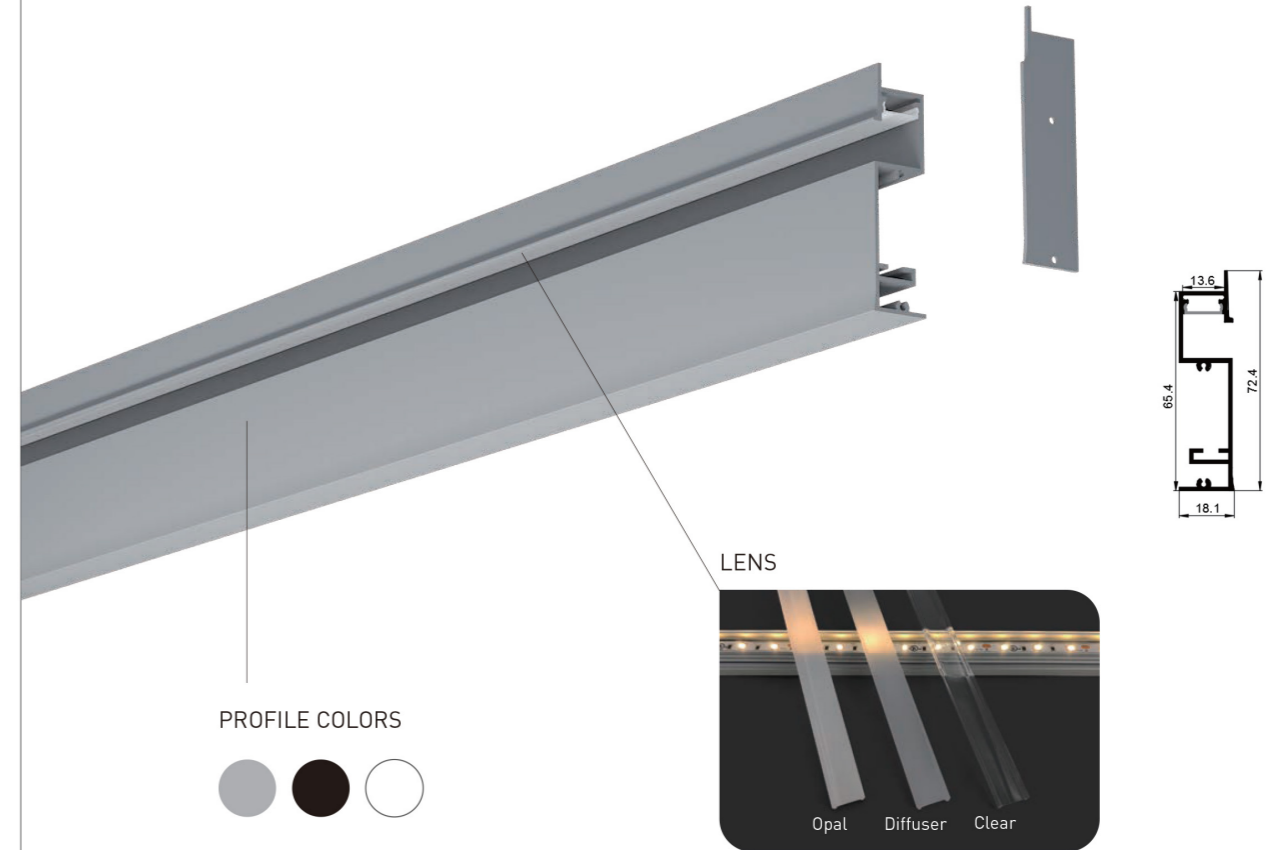
RECOMMEND LIGHT SOURCE

Performance	Part Code	LED QTY	Input Vol.	Power	CRI	Light Source Lumen	Diffuser Lens Lumen	Cuttable Length	Max Run	PCB Width
General	FN-H2835T-120	120pcs/m	12/24VDC	14.40 W/m	90+	1512 lm/m	605 lm/m	12V=50mm 24V=50mm	12V=5m 24V=9m	10 mm
					95+	1282 lm/m	513 lm/m			
High Efficiency	FN-H2835T-128	128pcs/m	12/24VDC	11.52 W/m	90+	1613 lm/m	645 lm/m	12V=31.2mm 24V=62.5mm	12V=3m 24V=6m	10 mm
					95+	1475 lm/m	590 lm/m			
	FN-H28350-160	160pcs/m	24VDC	24 W/m	90+	3480 lm/m	1546 lm/m	50mm	3m	10 mm
	FN-H2835T-160	160pcs/m	12/24VDC	14.40 W/m	90+	1987 lm/m	795 lm/m	12V=25mm 24V=50mm	12V=3mm 24V=5mm	10 mm
					95+	1843 lm/m	737 lm/m			
FN-H28350-192	192pcs/m	24VDC	28.8 W/m	90+	4176 lm/m	1854 lm/m	41.7mm	2.5m	10 mm	
Long Run	LN-H2835T-80	80pcs/m	36VDC	5.18W/m	90+	580 lm/m	232 lm/m	100mm	50mm	10 mm
					95+	482 lm/m	193 lm/m			
	LN-H2835T-112	112pcs/m	48VDC	11.52 W/m	90+	1336 lm/m	534 lm/m	125mm	25mm	10 mm
					95+	1106 lm/m	442 lm/m			
	LN-H2835T-120	120pcs/m	24VDC	6.00 W/m	90+	588 lm/m	235 lm/m	50mm	21mm	10 mm
					95+	486 lm/m	194 lm/m			
Short Cut	FN-F2835A-120	120pcs/m	24VDC	21.60 W/m	90+	1922 lm/m	769 lm/m	16.7mm	3.5mm	10 mm
					95+	1595 lm/m	638 lm/m			



SKIRTING SERIES

► SL731813



Installation: Skirting Surface Mounted
 Length Available: 1-3m
 Profile Color: Silver, Black Anodized, White Powder Coating
 Lens: Opal, Diffuser, Clear
 Input Cable: Endcaps, Profile Bottom, Profile Sides
 Quick Female/Male Connectors Input cable & Junction Box available

SKIRTING SERIES

► SL731813

ORDERING CODE

LUMINAIRE	FINISH	LENS	VoL	Power	Ra	CRI	INSTALL ACCS.	IP GRADE	CONTROL OPTOINS			
SL731813	W White	D Diffuser	12 12VDC	14.40W/m	90 90+	22-2200K , 24-2400K , 25-2500K 27-2700K , 30-3000K , 35-3500K 40-4000K , 50-5000K , 65-6500K	01 - Black&Red 22AWG 02 - Black&White 22AWG 03 - White PU protected 2 pin 04 - 3Pin cable for Tunable white	A - AMP male/female M - Molex male/female D - DC male/female	E - Through Endcaps			
			24 24VDC	7.68W/m								
	B Black	O Opal	24 24VDC	5.04W/m	95 95+	22-2200K , 25-2500K , 27-2700K 30-3000K , 35-3500K , 40-4000K 50-5000K , 65-6500K				TW	Tunable White - check your executive sales	B - Through profile end bottom
			36 36VDC	2.40W/m								
	S Silver	C Clear	36 36VDC	5.76W/m	D2W	Dim To Warm - check your executive sales				S - Through profile side		
			48 48VDC	11.52W/m								
				24.00W/m								
				28.80W/m								
				5.18W/m								
				6.00W/m								
			21.60W/m									

RECOMMEND LIGHT SOURCE

Performance	Part Code	LED QTY	Input Vol.	Power	CRI	Light Source Lumen	Diffuser Lens Lumen	Cutttable length	Max Run	PCB Width
General	FN-2835T-60	60pcs/m	12/24VDC	14.40 W/m	90+	1440 lm/m	576 lm/m	12V=50mm 24V=100mm	12V=5m 24V=9m	10 mm
					95+	1238 lm/m	495 lm/m			
High Efficiency	FN-H2835T-64	64pcs/m	24VDC	7.68 W/m	90+	1029 lm/m	412 lm/m	125mm	5m	10 mm
					95+	968 lm/m	387 lm/m			
	FN-H2835O-80	80pcs/m	24VDC	14.40W/m	90+	2275 lm/m	910 lm/m	100mm	4m	10 mm
Long Run	LN-2835T-60	60pcs/m	24VDC	5.04 W/m	90+	499 lm/m	200 lm/m	100mm	21m	10mm
					95+	413 lm/m	165 lm/m			
				2.4 W/m	90+	230 lm/m	92 lm/m	100mm	50mm	10 mm
					95+	190 lm/m	76 lm/m			
	LN-2835T-56	56pcs/m	48VDC	5.76 W/m	90+	668 lm/m	267 lm/m	250mm	35mm	10 mm
					95+	553 lm/m	221 lm/m			
Short Cut	FN-F2835A-60	60pcs/m	24VDC	14.4 W/m	90+	1239 lm/m	472 lm/m	33.3mm	5.5mm	10 mm
					95+	979lm/m	392 lm/m			

SKIRTING SERIES

► SL731813

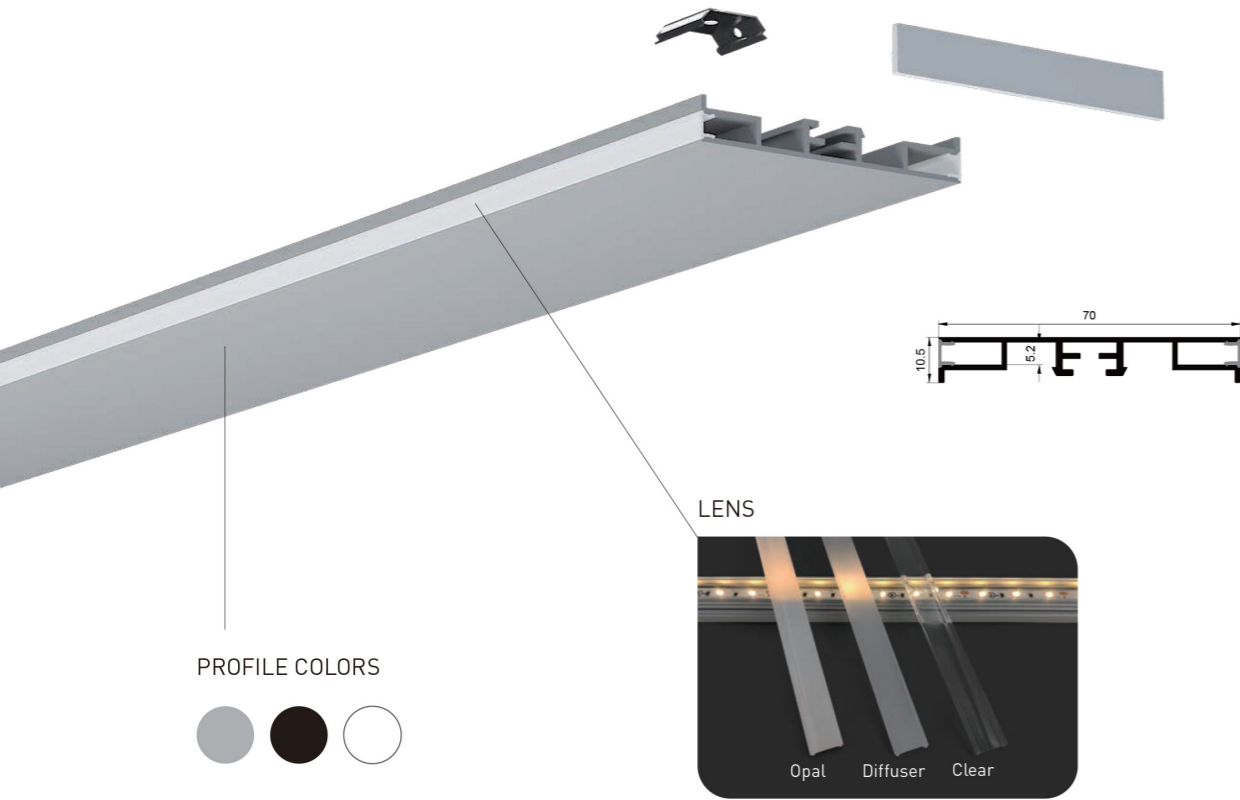
RECOMMEND LIGHT SOURCE

Performance	Part Code	LED QTY	Input Vol.	Power	CRI	Light Source Lumen	Diffuser Lens Lumen	Cutttable length	Max Run	PCB Width
General	FN-H2835T-120	120pcs/m	12/24VDC	14.40 W/m	90+	1512 lm/m	605 lm/m	12V=50mm 24V=50mm	12V=5m 24V=9m	10 mm
					95+	1282 lm/m	513 lm/m			
High Efficiency	FN-H2835T-128	128pcs/m	12/24VDC	11.52 W/m	90+	1613 lm/m	645 lm/m	12V=31.2mm 24V=62.5mm	12V=3m 24V=6m	10 mm
					95+	1475 lm/m	590 lm/m			
	FN-H2835O-160	160pcs/m	24VDC	24 W/m	90+	3480 lm/m	1546 lm/m	50mm	3m	10 mm
					95+	1987 lm/m	795 lm/m			
Long Run	FN-H2835T-160	160pcs/m	12/24VDC	14.40 W/m	90+	1987 lm/m	795 lm/m	12V=25mm 24V=50mm	12V=3mm 24V=5mm	10 mm
					95+	1843 lm/m	737 lm/m			
	FN-H2835O-192	192pcs/m	24VDC	28.8 W/m	90+	4176 lm/m	1854 lm/m	41.7mm	2.5m	10 mm
					95+	580 lm/m	232 lm/m			
Short Cut	FN-F2835A-120	120pcs/m	24VDC	21.60 W/m	90+	1922 lm/m	769 lm/m	16.7mm	3.5mm	10 mm
					95+	1595 lm/m	638 lm/m			
					90+	1336 lm/m	534 lm/m			
					95+	1106 lm/m	442 lm/m			



SKIRTING SERIES

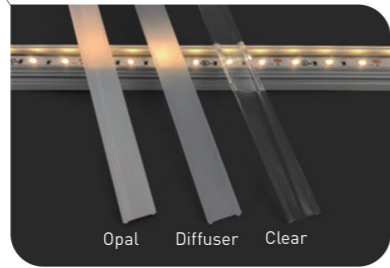
► SL701105



PROFILE COLORS



LENS



Installation: Skirting Surface Mounted
 Length Available: 1-3m
 Profile Color: Silver, Black Anodized, White Powder Coating
 Lens: Opal, Diffuser, Clear
 Input Cable: Endcaps, Profile Bottom, Profile Sides
 Quick Female/Male Connectors Input cable & Junction Box available

SKIRTING SERIES

► SL701105

ORDERING CODE

LUMINAIRE	FINISH	LENS	VoL	Power	Ra	CRI	INSTALL ACCS.	IP GRADE	CONTROL OPTOINS
SL701105	W White	D Diffuser	12 12VDC	9.6 W/m	90	22-2200K , 24-2400K , 25-2500K 27-2700K , 30-3000K , 35-3500K 40-4000K , 50-5000K , 65-6500K	01 - Black&Red 22AWG 02 - Black&White 22AWG 03 - White PU protected 2 pin 04 - 3Pin cable for Tunable white	A - AMP male/female M - Molex male/female D - DC male/female	E - Through Endcaps B - Through profile end bottom S - Through profile side
	B Black	O Opal	24 24VDC	19.2 W/m	95				
	S Silver	C Clear	36 36VDC	24.28 W/m	95+	Tunable White - check your executive sales			
			48 48VDC	57.6 W/m	TW				

RECOMMEND LIGHT SOURCE

Part Code	LED QTY	Input Vol.	Power	CRI	Light Source Lumen	Diffuser Lens Lumen	Cuttable length	Max Run	PCB Width
MN-2835A-60	60pcs/m	12/24VDC	9.6 W/m	90+	956 lm/m	372 lm/m	12V=50mm 24V=100mm	12V=3m 24V=5m	5 mm
				95+	794 lm/m	309 lm/m			
MN-2835A-120	120pcs/m	12/24VDC	19.2 W/m	90+	1912 lm/m	745 lm/m	12V=25mm 24V=50mm	12V=1.5m 24V=3m	4 mm
				95+	1587 lm/m	619 lm/m			
MN-2110-238	238pcs/m	24VDC	24.28 W/m	90+	2252 lm/m	878 lm/m	29.4mm	2m	4 mm
				95+	1869 lm/m	728 lm/m			
MN-5630A-60	60pcs/m	24VDC	57.6 W/m	90+	3800 lm/m	1482 lm/m	100mm	2m	6 mm
				95+	3154 lm/m	1230 lm/m			

