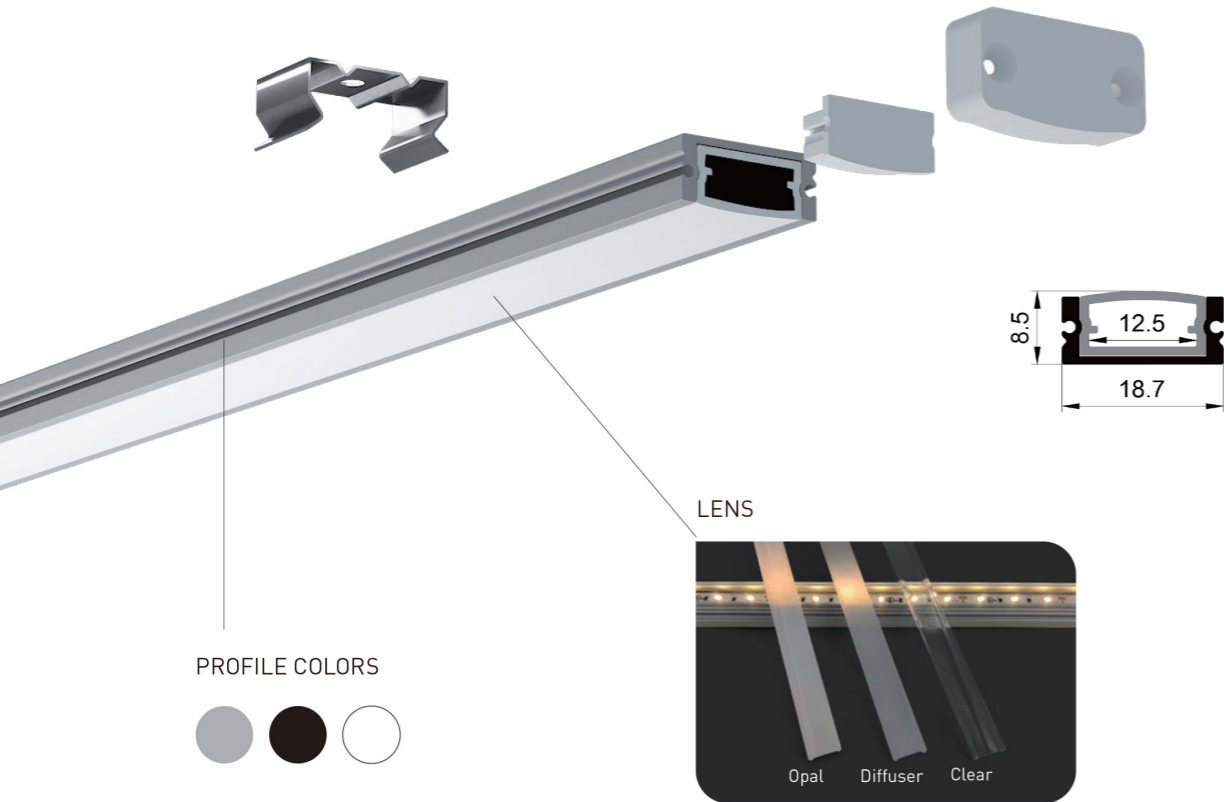


IP44 SERIES

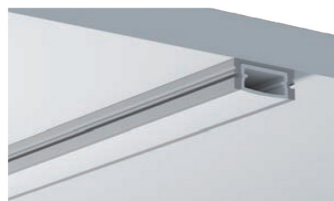
► SL1707W12



ACCESSORIES



Rotating Bracket



Installation: IP44 Surface Mounted
 Length Available: 1-3m
 Profile Color: Silver, Black Anodized, White Powder Coating
 Lens: Opal, Diffuser, Clear
 Input Cable: Endcaps, Profile Bottom, Profile Sides
 Quick Female/Male Connectors Input cable & Junction Box available

IP44 SERIES

► SL1707W12

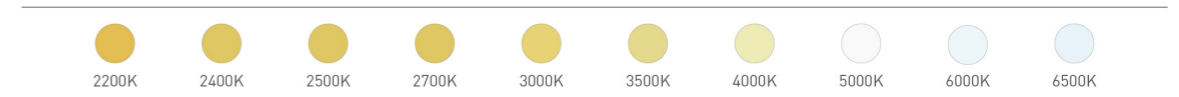
ORDERING CODE

LUMINAIRE	FINISH	LENS	Vol.	Power	Ra	CRI	INSTALL ACCS.	IP GRADE	CONTROL OPTOINS
SL1707W12	W White B Black S Silver	D Diffuser O Opal C Clear	24 24VDC	12.96W ± 10% 17.28W ± 10%	90 90+	22-2200K , 24-2400K 25-2500K , 27-2700K 30-3000K , 35-3500K 40-4000K , 50-5000K 65-6500K	01 - Black&Red 22AWG 02 - Black&White 22AWG 03 - White PU protected 2 pin 04 - 3Pin cable for Tunable white	A - AMP male/female M - Molex male/female D - DC male/female	E - Through Endcaps B - Through profile end bottom S - Through profile side
					TW	Tunable White - check your executive sales			
					D2W	Dim To Warm - check your executive sales			

RECOMMEND LIGHT SOURCE

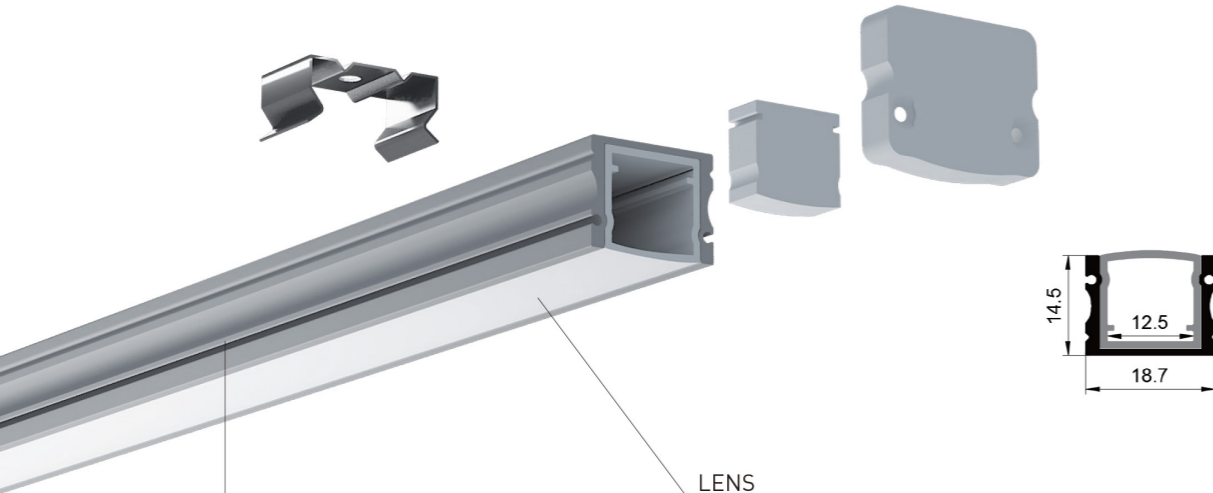
Part Code	LED QTY	Input Vol.	Power	CRI	Light Source Lumen	Diffuser Lens Lumen	Cuttable length	Max Run	PCB Width
FN-2016-180	180pcs/m	24VDC	12.96W ± 10%	90+	1000 lm/m	450 lm/m	33mm	3M	10mm
FN-2016-240	240pcs/m		17.28W ± 10%	90+	1300 lm/m	585 lm/m	25mm		

Remark: Light Source should always come with holder - SL120112.

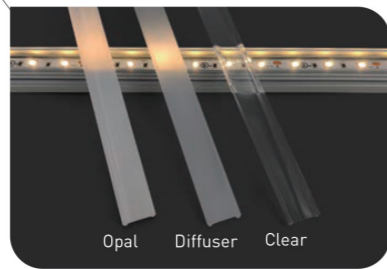


IP44 SERIES

► SL1715W12



LENS



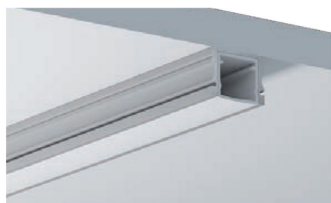
PROFILE COLORS



ACCESSORIES



Rotating Bracket



Installation: IP44 Surface Mounted
 Length Available: 1-3m
 Profile Color: Silver, Black Anodized, White Powder Coating
 Lens: Opal, Diffuser, Clear
 Input Cable: Endcaps, Profile Bottom, Profile Sides
 Quick Female/Male Connectors Input cable & Junction Box available

IP44 SERIES

► SL1715W12

ORDERING CODE

LUMINAIRE	FINISH	LENS	Vol.	Power	Ra	CRI	INSTALL ACCS.	IP GRADE	CONTROL OPTOINS
SL1715W12	W White	D Diffuser	12 12VDC	14.40W/m	90	22-2200K, 24-2400K, 25-2500K 27-2700K, 30-3000K, 35-3500K 40-4000K, 50-5000K, 65-6500K	01 - Black&Red 22AWG 02 - Black&White 22AWG 03 - White PU protected 2 pin 04 - 3Pin cable for Tunable white	A - AMP male/female M - Molex male/female D - DC male/female	E - Through Endcaps B - Through profile end bottom S - Through profile side
	B Black	O Opal	24 24VDC	11.52W/m	90+				
	S Silver	C Clear	36 36VDC	24.00W/m	95	22-2200K, 25-2500K, 27-2700K 30-3000K, 35-3500K, 40-4000K 50-5000K, 65-6500K			
			48 48VDC	28.80W/m	95+				
			5.18W/m		TW	Tunable White - check your executive sales			
			6.00W/m						
			21.60W/m		D2W	Dim To Warm - check your executive sales			

RECOMMEND LIGHT SOURCE

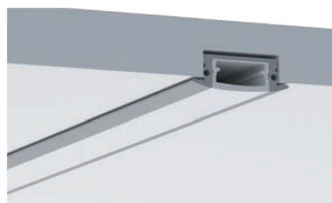
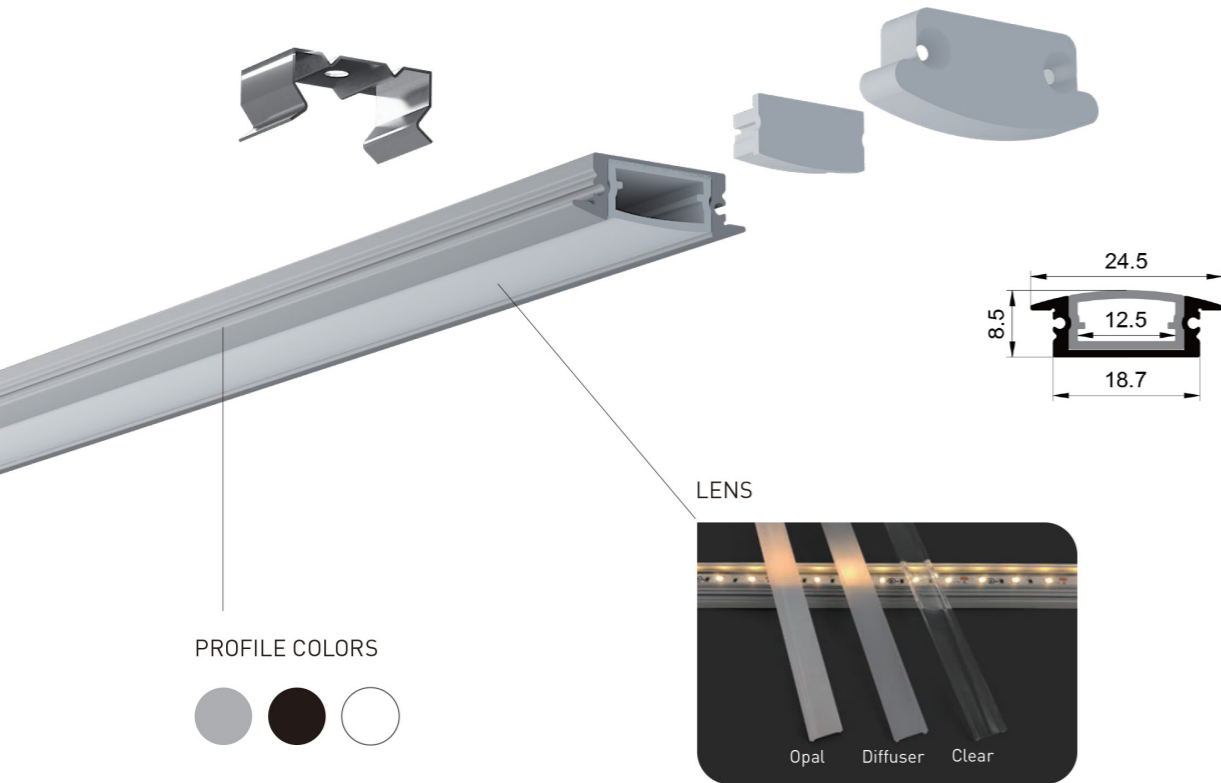
Performance	Part Code	LED QTY	Input Vol.	Power	CRI	Light Source Lumen	Diffuser Lens Lumen	Cuttable length	Max Run	PCB Width
General	FN-H2835T-120	120pcs/m	12/24VDC	14.40 W/m	90+	1512 lm/m	680lm/m	12V=50mm	12V=5m	10 mm
					95+	1282 lm/m	577lm/m	24V=50mm	24V=9m	
High Efficiency	FN-H2835T-128	128pcs/m	12/24VDC	11.52 W/m	90+	1613 lm/m	726lm/m	12V=31.2mm	12V=3m	10 mm
					95+	1475 lm/m	664lm/m	24V=62.5mm	24V=6m	
	FN-H28350-160	160pcs/m	24VDC	24 W/m	90+	3480 lm/m	1739lm/m	50mm	3m	10 mm
					95+	1843 lm/m	829lm/m	12V=25mm	12V=3mm	
Long Run	LN-H2835T-80	80pcs/m	36VDC	5.18W/m	90+	580 lm/m	261lm/m	100mm	50mm	10 mm
					95+	482 lm/m	217lm/m			
	LN-H2835T-112	112pcs/m	48VDC	11.52 W/m	90+	1336 lm/m	601lm/m	125mm	25mm	10 mm
					95+	1106 lm/m	498lm/m			
	LN-H2835T-120	120pcs/m	24VDC	6.00 W/m	90+	588 lm/m	265lm/m	50mm	21mm	10 mm
					95+	486 lm/m	219lm/m			
Short Cut	FN-F2835A-120	120pcs/m	24VDC	21.60 W/m	90+	1922 lm/m	865lm/m	16.7mm	3.5mm	10 mm
					95+	1595 lm/m	718lm/m			

Remark: Light Source should always come with holder - SL120112.



IP44 SERIES

► SL2507W12



Installation: IP44 Trimmed Recessed
 Length Available: 1-3m
 Profile Color: Silver, Black Anodized, White Powder Coating
 Lens: Opal, Diffuser, Clear
 Input Cable: Endcaps, Profile Bottom, Profile Sides
 Quick Female/Male Connectors Input cable & Junction Box available

IP44 SERIES

► SL2507W12

ORDERING CODE

LUMINAIRE	FINISH	LENS	Vol.	Power	Ra	CRI	INSTALL ACCS.	IP GRADE	CONTROL OPTOINS
SL2507W12	W White	D Diffuser	12 12VDC	14.40W/m	90 90+	22-2200K, 24-2400K, 25-2500K 27-2700K, 30-3000K, 35-3500K 40-4000K, 50-5000K, 65-6500K	01 - Black&Red 22AWG	A - AMP male/female M - Molex male/female D - DC male/female	E - Through Endcaps B - Through profile end bottom S - Through profile side
	B Black	O Opal	24 24VDC	11.52W/m	95 95+	22-2200K, 25-2500K, 27-2700K 30-3000K, 35-3500K, 40-4000K 50-5000K, 65-6500K	02 - Black&White 22AWG		
	S Silver	C Clear	36 36VDC	24.00W/m	TW	Tunable White - check your executive sales	03 - White PU protected 2 pin		
			48 48VDC	5.18W/m 6.00W/m 21.60W/m	D2W	Dim To Warm - check your executive sales	04 - 3Pin cable for Tunable white		

RECOMMEND LIGHT SOURCE

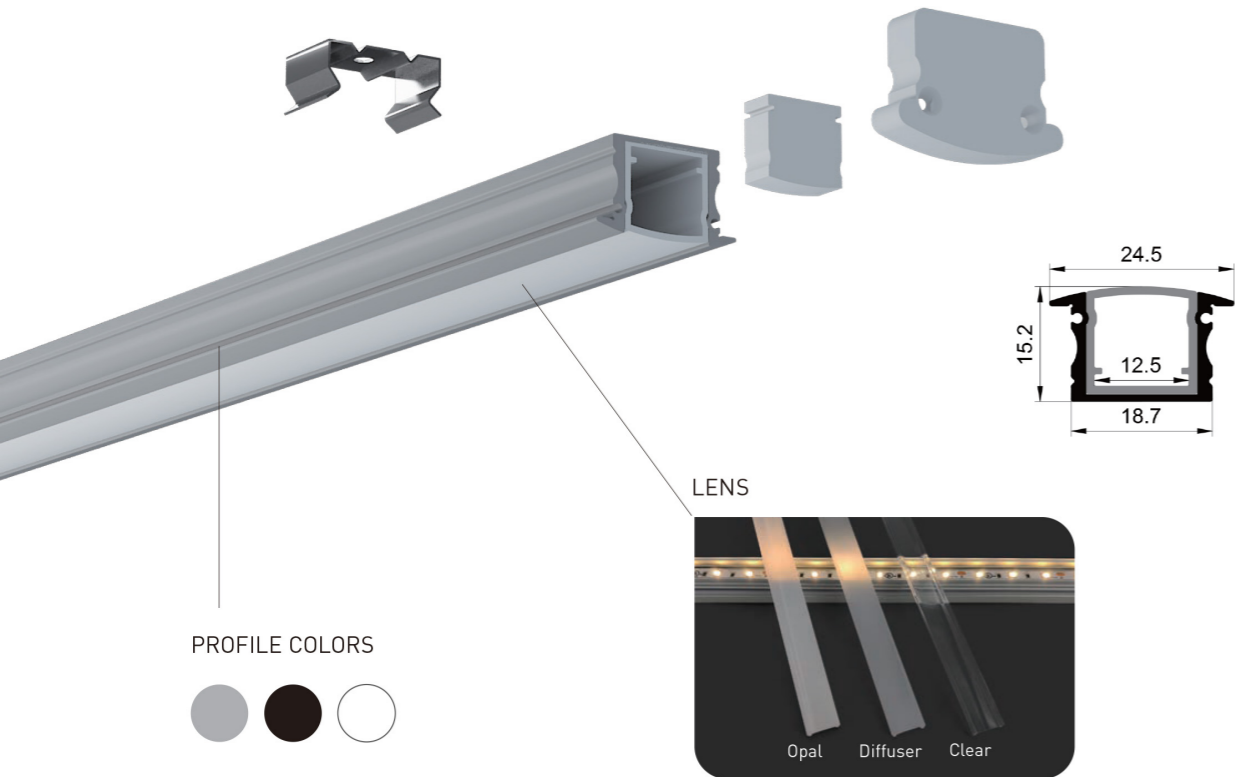
Performance	Part Code	LED QTY	Input Vol.	Power	CRI	Light Source Lumen	Diffuser Lens Lumen	Cutttable length	Max Run	PCB Width
General	FN-H2835T-120	120pcs/m	12/24VDC	14.40 W/m	90+	1512 lm/m	680lm/m	12V=50mm 24V=50mm	12V=5m 24V=9m	10 mm
					95+	1282 lm/m	577lm/m			
High Efficiency	FN-H2835T-128	128pcs/m	12/24VDC	11.52 W/m	90+	1613 lm/m	726lm/m	12V=31.2mm 24V=62.5mm	12V=3m 24V=6m	10 mm
					95+	1475 lm/m	664lm/m			
	FN-H28350-160	160pcs/m	24VDC	24 W/m	90+	3480 lm/m	1739lm/m	50mm	3m	10 mm
					95+	1843 lm/m	829lm/m	12V=25mm 24V=50mm	12V=3mm 24V=5mm	10 mm
Long Run	LN-H2835T-80	80pcs/m	36VDC	5.18W/m	90+	580 lm/m	261lm/m	100mm	50mm	10 mm
					95+	482 lm/m	217lm/m			
	LN-H2835T-112	112pcs/m	48VDC	11.52 W/m	90+	1336 lm/m	601lm/m	125mm	25mm	10 mm
95+					1106 lm/m	498lm/m				
Short Cut	FN-F2835A-120	120pcs/m	24VDC	6.00 W/m	90+	588 lm/m	265lm/m	50mm	21mm	10 mm
					95+	486 lm/m	219lm/m	16.7mm	3.5mm	10 mm
Short Cut	FN-F2835A-120	120pcs/m	24VDC	21.60 W/m	90+	1922 lm/m	865lm/m	16.7mm	3.5mm	10 mm
					95+	1595 lm/m	718lm/m			

Remark: Light Source should always come with holder - SL120112.



IP44 SERIES

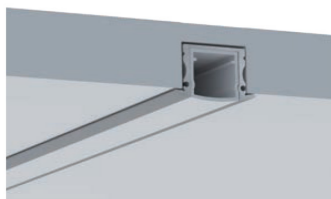
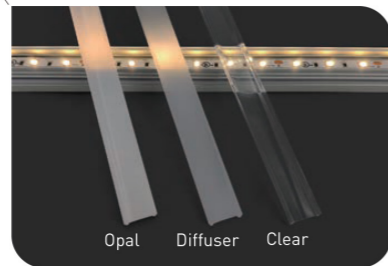
► SL2515W12



PROFILE COLORS



LENS



Installation: IP44 Trimed Recessed
 Length Available: 1-3m
 Profile Color: Silver, Black Anodized, White Powder Coating
 Lens: Opal, Diffuser, Clear
 Input Cable: Endcaps, Profile Bottom, Profile Sides
 Quick Female/Male Connectors Input cable & Junction Box available

IP44 SERIES

► SL2515W12

ORDERING CODE

LUMINAIRE	FINISH	LENS	Vol.	Power	Ra	CRI	INSTALL ACCS.	IP GRADE	CONTROL OPTOINS
SL2515W12	W White	D Diffuser	12 12VDC	14.40W/m	90	22-2200K, 24-2400K, 25-2500K 27-2700K, 30-3000K, 35-3500K 40-4000K, 50-5000K, 65-6500K	01 - Black&Red 22AWG 02 - Black&White 22AWG 03 - White PU protected 2 pin 04 - 3Pin cable for Tunable white	A - AMP male/female M - Molex male/female D - DC male/female	E - Through Endcaps B - Through profile end bottom S - Through profile side
	B Black	O Opal	24 24VDC	11.52W/m	90+				
	S Silver	C Clear	36 36VDC	24.00W/m	95	22-2200K, 25-2500K, 27-2700K 30-3000K, 35-3500K, 40-4000K 50-5000K, 65-6500K			
			48 48VDC	28.80W/m	95+				
				5.18W/m	TW	Tunable White - check your executive sales			
				6.00W/m					
				21.60W/m	D2W	Dim To Warm - check your executive sales			

RECOMMEND LIGHT SOURCE

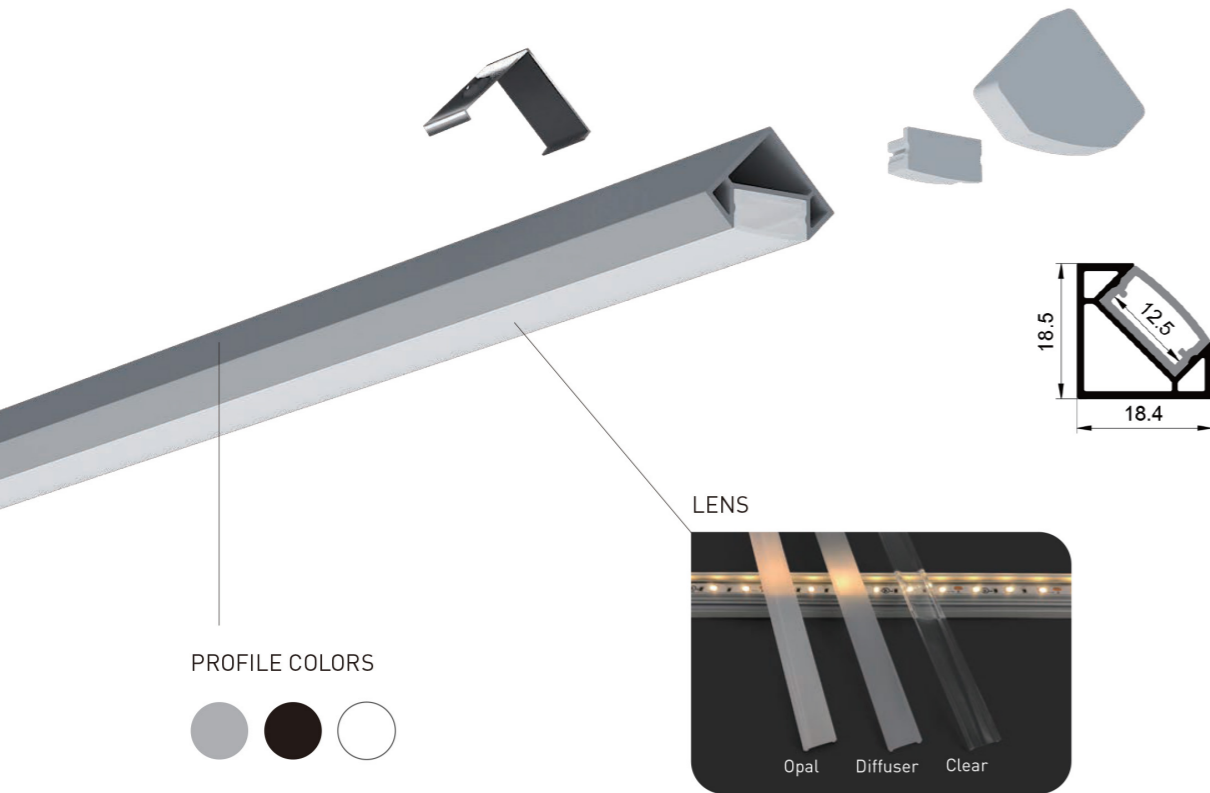
Performance	Part Code	LED QTY	Input Vol.	Power	CRI	Light Source Lumen	Diffuser Lens Lumen	Cuttable length	Max Run	PCB Width
General	FN-H2835T-120	120pcs/m	12/24VDC	14.40 W/m	90+	1512 lm/m	680lm/m	12V=50mm	12V=5m	10 mm
					95+	1282 lm/m	577lm/m	24V=50mm	24V=9m	
High Efficiency	FN-H2835T-128	128pcs/m	12/24VDC	11.52 W/m	90+	1613 lm/m	726lm/m	12V=31.2mm	12V=3m	10 mm
					95+	1475 lm/m	664lm/m	24V=62.5mm	24V=6m	
	FN-H28350-160	160pcs/m	24VDC	24 W/m	90+	3480 lm/m	1739lm/m	50mm	3m	10 mm
					95+	1843 lm/m	829lm/m	12V=25mm	12V=3mm	
Long Run	LN-H2835T-80	80pcs/m	36VDC	5.18W/m	90+	580 lm/m	261lm/m	100mm	50mm	10 mm
					95+	482 lm/m	217lm/m			
	LN-H2835T-112	112pcs/m	48VDC	11.52 W/m	90+	1336 lm/m	601lm/m	125mm	25mm	10 mm
					95+	1106 lm/m	498lm/m			
	LN-H2835T-120	120pcs/m	24VDC	6.00 W/m	90+	588 lm/m	265lm/m	50mm	21mm	10 mm
					95+	486 lm/m	219lm/m			
Short Cut	FN-F2835A-120	120pcs/m	24VDC	21.60 W/m	90+	1922 lm/m	865lm/m	16.7mm	3.5mm	10 mm
					95+	1595 lm/m	718lm/m			

Remark: Light Source should always come with holder - SL120112.



IP44 SERIES

► SL1919W12



IP44 SERIES

► SL1919W12

ORDERING CODE

LUMINAIRE	FINISH	LENS	Vol.	Power	Ra	CRI	INSTALL ACCS.	IP GRADE	CONTROL OPTOINS
SL1919W12	W White	D Diffuser	24 24VDC	16.42W±10%	90 90+	22-2200K , 24-2400K 25-2500K , 27-2700K 30-3000K , 35-3500K 40-4000K , 50-5000K 65-6500K	01 - Black&Red 22AWG	A - AMP male/female	E - Through Endcaps
	B Black	O Opal					02 - Black&White 22AWG	M - Molex male/female	B - Through profile end bottom
	S Silver	C Clear				TW Tunable White - check your executive sales	03 - White PU protected 2 pin	D - DC male/female	S - Through profile side
						D2W Dim To Warm - check your executive sales	04 - 3Pin cable for Tunable white		

RECOMMEND LIGHT SOURCE

Performance	Part Code	LED QTY	Input Vol.	Power	CRI	Light Source Lumen	Diffuser Lens Lumen	Cutttable length	Max Run	PCB Width
General	FN-2016-266	266pcs/m	24VDC	16.42W ± 10%	90+	1700 lm/m	765 lm/m	26.3mm	3M	10mm

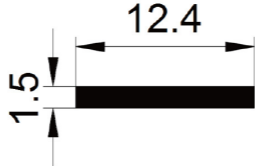
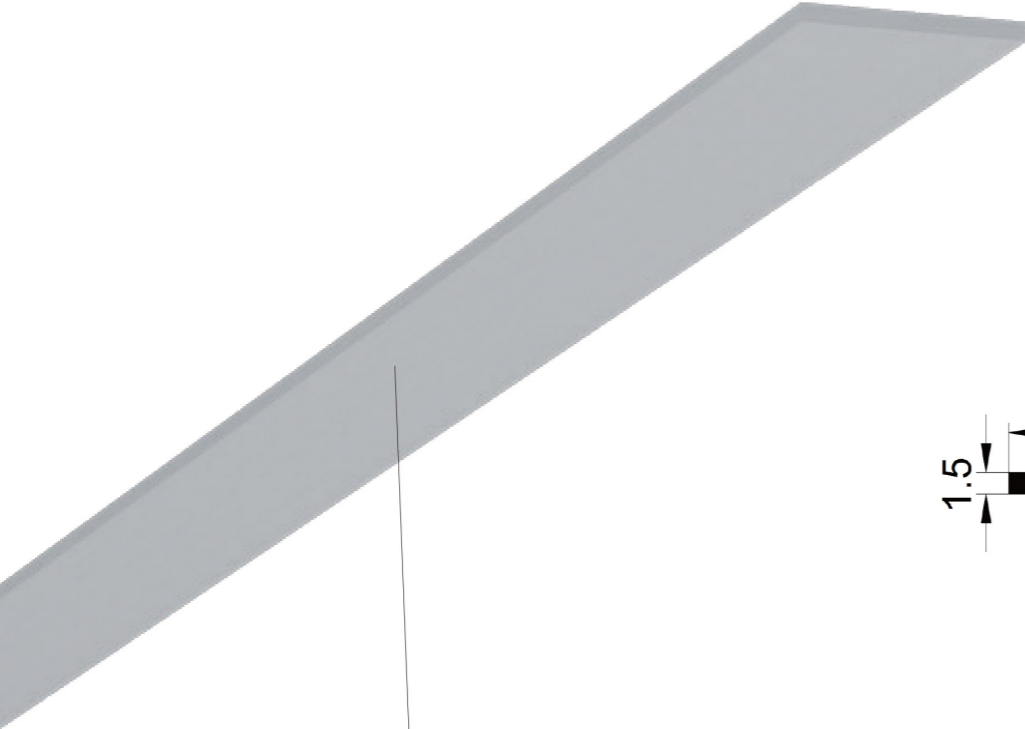
Remark: Light Source should always come with holder - SL120112.



Installation: IP44 Angular Surface mounted
 Length Available: 1-3m
 Profile Color: Silver, Black Anodized, White Powder Coating
 Lens: Opal, Diffuser, Clear
 Input Cable: Endcaps, Profile Bottom, Profile Sides
 Quick Female/Male Connectors Input cable & Junction Box available

IP44 SERIES

▶ SL120112



PROFILE COLORS

